

Suggested List Price



Customer Service

General Contact Information

Customer Service Center 2100 Future Drive Sellersburg, IN 47172-1868 Phone: 800-367-4233 Fax: 812-246-7024	Shipping Location 2100 Future Drive Sellersburg, IN 47172-1868 Main Phone: 812-246-7000 Main Fax: 812-246-9922	Remit By Mail Manitowoc FSG Services 75 Remittance Drive Ste 6365 Chicago, IL 60675-6365
---	---	--

Specific Function Contact Information

Equipment Orders Fax: 812-246-7024 Parts Orders Fax: 800-240-7278	NAME	E-MAIL	EXTENSION
Customer Service Manager	Paula Mattingly	paula.mattingly@manitowoc.com	236
Customer Service Representative	Cindy Niles	cindy.niles@manitowoc.com	390
Customer Service Representative	Tim Elmore	tim.elmore@manitowoc.com	272
Customer Service Representative	Cerrin Peck	cerrin.peck@manitowoc.com	219
International Customer Service Manager	Maria Donis	maria.donis@manitowoc.com	227
Hours: 8:00 am - 5:00 pm EST			




Technical Service / Service Support Fax: 812-246-7026	NAME	E-MAIL	EXTENSION
Field Service Manager	Roger Reif	roger.reif@manitowoc.com	223
Beverage Regional Service Manager	Roger Neawedde	roger.neawedde@manitowoc.com	221
Beverage Regional Service Manager	Isaac Lott	isaac.lott@manitowoc.com	240
Assistant Service Manager	Buz Frank	buz.frank@manitowoc.com	257
Assistant Service Manager	Guy Howell	guy.howell@manitowoc.com	211
D.I.S. Administrator	Paul Freiburger	paul.freiburger@manitowoc.com	315
Administrative Assistant/Receptionist	Geneva Wernert	geneva.wernert@manitowoc.com	203
Technical Writer	Nick Puzo	nick.puzo@manitowoc.com	231
Hours 8:00 am - 5:00 pm EST			

Warranty / RGA Administration Fax: 812-246-7026	NAME	E-MAIL	EXTENSION
Warranty/RGA Administrator	Susan Gospodarek	susan.gospodarek@manitowoc.com	920-683-7875

Credit / Invoice / AR Fax: 812-246-7023	NAME	E-MAIL	EXTENSION
Manager AR/FSG	Jodi Rabitz	jodi.rabitz@manitowoc.com	920-652-2712

Marketing Fax: 812-246-7020	NAME	E-MAIL	EXTENSION
V.P. Marketing - Beverage	Mark Johnsson	mark.johnsson@manitowoc.com	229
Product Manager / Mechanically Refrigerated Products	Aaron Sprinkle	aaron.sprinkle@manitowoc.com	226
Product Manager, McCann's, Kyees, MBS	Bruce Burton	bruce.burton@manitowoc.com	232
Business Development Manager	Bridget Kraft	bridget.kraft@manitowoc.com	228
Administrative Assistant	Suzette Gilmore	suzette.gilmore@manitowoc.com	220

Table of Contents

Customer Service	2
Warranty Information	3
Countertop Ice / Beverage Dispensers	4
SV Series	4
 PIC Integrated Ice Crusher	4
FLAV'R PIC	4
Ice/Beverage Dispenser Adapters and Stands	5
MDH Series	6
 PIC Integrated Ice Crusher	6
MDH Series Adapter Kits For Top-Mounted Ice Machine Applications	7
Flavor Magic™	8
Drop-In Beverage Dispensers	9
Drop-In Stands	9
Countertop Ice Dispensers	10
M Series / S Series Ice Dispensers	10
CEV Series Countertop Electric Beverage Dispensers	11
Beverage Towers	12
CT Series Countertop Tower	12
Ice Chests 	13
Cup Dispensers	14
Complete BIB Beverage Installation Kit	15 & 16
Individual Beverage Installation Components	17 & 18
Flomatic Beverage Valves	19

Prices are F.O.B. factory.

Prices and specifications are subject to change without notice.

May 1, 2010 list price sheet supersedes all previous list price sheets.

Manitowoc Beverage Systems operates out of multiple warehouse locations.

Please contact your Customer Service Representative to verify shipping locations.

Servend Warranty

Dispensers

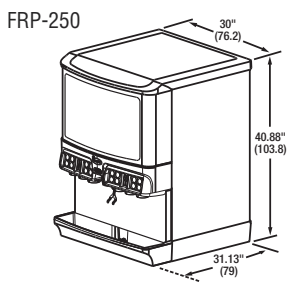
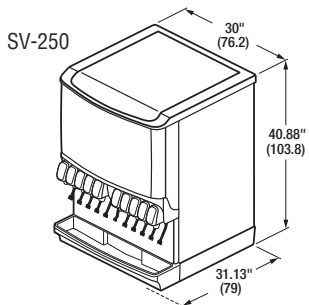
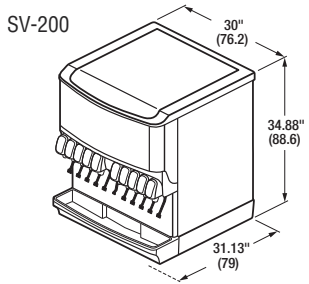
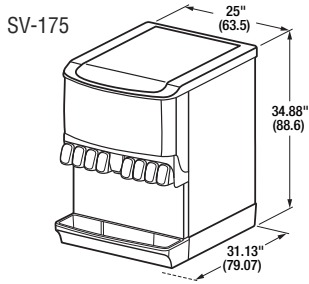
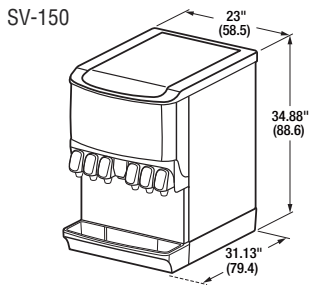
2-year limited parts warranty

1-year limited labor warranty

Prices are F.O.B. factory.

Call local distributor for details

Countertop Ice/Beverage Dispensers



Model	Description	Number of Valves	Approx. Ship Wt.	List Price
SV Series with Icepic Integrated Ice Crusher				
(Includes Icepic Integrated Ice Crusher, Servend's Flomatic 464 Beverage Valves, Lighted Merchandiser with Icepic Graphics, Leg Kit, Key Switch, and Drain Kit.)				
SV-200	Ice/Bev Dispenser with selectable Icepic	8	304 lbs.	\$10,863
SV-200	Ice/Bev Dispenser with selectable Icepic	10		\$11,457
SV-250	Ice/Bev Dispenser with selectable Icepic	8	330 lbs.	\$11,528
SV-250	Ice/Bev Dispenser with selectable Icepic	10		\$12,119



SV Series Ice/Beverage Dispenser				
(Includes Servend's Flomatic 464 Beverage Valves, Lighted Merchandiser with "Quench Your Thirst" Sign, Leg Kit, Key Switch, and Drain Kit.)				
SV-150	150 lbs. ice storage -choose push button or sanitary lever valves	6	232 lbs.	\$6,179
SV-175	175 lbs. ice storage -choose push button or sanitary lever valves	8	259 lbs.	\$7,067
SV-200	200 lbs. ice storage -choose push button or sanitary lever valves -choose push button or sanitary lever valves	8 10	300 lbs.	\$7,267 \$7,861
SV-250	250 lbs. ice storage -choose push button or sanitary lever valves -choose push button or sanitary lever valves	8 10	325 lbs.	\$7,932 \$8,523

SV Series Options				
	Flavor Magic™			
	Three Flavor			\$1,315
	Four Flavor			\$1,384
	Cold Carbonation			\$1,217
	Side Splash Guards			\$233
	Flomatic 464GP Portion Control valves			\$143
				per valve
	Flomatic 464GP Automatic Fill valves			\$190
				per valve
	Alternate Voltages			
	Cold Carbonation			\$430
	Ambient Carbonation			\$310

FLAV'R PIC				
Includes eight flavor, Flavor Magic™ drink enhancements, lighted merchandiser with FLAV'R PIC™ graphics, internal cold carbonation, leg kit, key switch.				
FRP-250	Ice/beverage dispenser with icepic™			\$16,619
FRP-250	Ice/beverage dispenser without icepic™			\$14,108

FLAV'R PIC OPTIONS				
	Ext Front splash panel (without Drain pan)			—
	Side splash panels			\$233
	Beverage Rack (see page 16)			

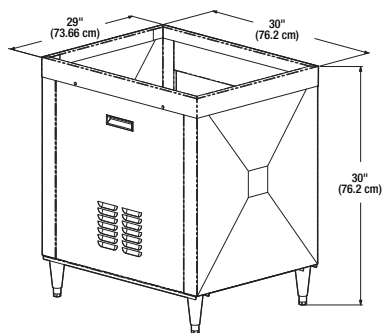
Ice/Beverage Dispenser Adapter Kit

Ice Machine	Beverage Dispenser				
		S/SV-150	SV-175	S/SV-200	S/SV-250
	22" Wide Manitowoc Ice Machines	SL26-020000245 \$407	SL20-020000196 \$407	SL16-5031149 \$407	SL16-5031149 \$407
	30" Wide Manitowoc Ice Machine	N/A	N/A	SL36-020001311 \$233	SL36-020001311 \$233
	22" (Wide Non-Manitowoc Ice Machine	SL26-020000245 \$407	SL20-020000196 \$407	SL25-5031609 \$407	SL25-5031609 \$407
	30" Wide Non-Manitowoc Ice Machine	N/A	N/A	SL36-020001311 \$233	SL36-020001311 \$233
	Manitowoc IB	IB10-5013398 \$401	IB11-5013154 \$401	IB13-5013505 \$401	IB13-5013505 \$401
	Scotsman Eclipse	SL27-020000246 \$466	SL22-020000198 \$466	SL17-5031150 \$466	SL17-5031150 \$466
	Cornelius 15" Nugget	SL29-020000248 \$466	SL23-020000199 \$466	SL18-5031151 \$466	SL18-5031151 \$466
	Scotsman 21" Nugget	SL28-020000247 \$466	SL21-020000197 \$466	SL19-5031152 \$466	SL19-5031152 \$466
Side Splash Guards	5031157 \$233	5031157 \$233	5031157 \$233	5031157 \$233	

Note: The ice/beverage adapter kits listed above contain all the required components for top mounting Manitowoc and non-Manitowoc ice machines. For details regarding the kit contents please contact your MBE Inside Sales Representative.

Ice-Combo Cabinet Stands

Stainless steel, includes 6" leg set



Model
16-1579

Description
32" wide pre-assembled stand

Approx. Ship Wt.
108 lbs.

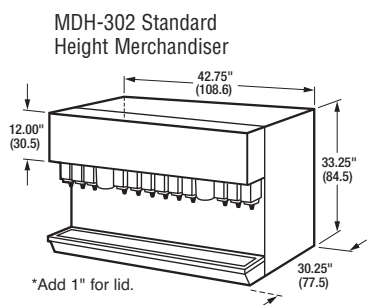
List Price
\$730

Countertop Ice/Beverage Dispensers

Model	Description	Number of Valves	Approx. Ship Wt.	List Price
-------	-------------	------------------	------------------	------------

MDH-302/402 with **icepic** Integrated Ice Crusher

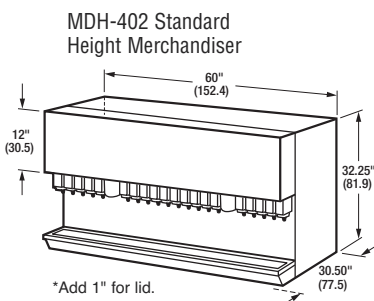
(Includes **icepic** Integrated Ice Crusher, Servend's Flomatic 424 Beverage Valves, Lighted Merchandiser with **icepic** Graphics, Key Switch, and Drain Kit.)
Leg Kit not available on MDH Series.



MDH-302	300 lbs. ice storage dual ice dispense points -choose push button or sanitary lever valves	12	448 lbs.	\$16,076
MDH-402	400 lbs. ice storage, dual ice dispense points -choose push button or sanitary lever valves -choose push button or sanitary lever valves	16 20	543 lbs.	\$18,527 \$19,768

MDH-302/402 Ice/Beverage Dispenser

(Includes Servend's Flomatic 424 Beverage Valves, Lighted Merchandise with "Quench Your Thirst" Sign, Key Switch, and Drain Kit.) Leg Kit not available on MDH Series.



MDH-302	300 lbs. ice storage dual ice dispense points -choose push button or sanitary lever valves	12	433 lbs.	\$13,120
MDH-402	400 lbs. ice storage, dual ice dispense points -choose push button or sanitary lever valves -choose push button or sanitary lever valves	16 20	528 lbs.	\$15,645 \$16,923

MDH Series Options

Flavor Magic			
Three Flavor / per module			
Single Control Module MDH302/402			\$1,315
Dual Control Module MDH302/402			\$2,386
Four Flavor / per module			
Single Control Module MDH302/402			\$1,384
Dual Control Module MDH302/402			\$2,506
Cold Carbonation			
MDH302			\$1,120
MDH402			\$2,241
Extended Merchandisers			
24" Tall			
MDH302			\$953
MDH402			\$1,192
34" Tall			
MDH302			\$1,762
MDH402			\$2,203
Alternate Voltages			
Cold Carb			\$430
Ambient			\$310
Side Splash Guards			\$233

Contact factory for alternative valve selection and pricing.

MDH Series Adapter Kit

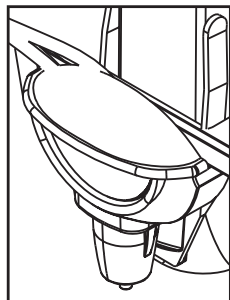
Beverage Dispenser					
	MDH-302 Merchandiser	MDH-302 w/Extended Merchandiser	MDH-402	MDH-402 w/Extended Merchandiser	
Ice Machine	30" (76.2 cm) wide Q Series or QuietQube® Manitowoc Ice Machine (Q450, Q600, Q800, Q1000)	Q1-5007892 \$115 SL3-5003674 \$210 CL12-020000306 \$116	Q1-5007892 \$115 SL4-5006787 \$210	Q1-5007892 \$115 SL5-5009415 \$210 CL13-020000121 \$64	Q1-5007892 \$115 SL5-5009415 \$210
	30" (76.2 cm) wide S-Series QuietQube® Manitowoc Ice Machine	N1-5003339 \$234 SL3-5003674 \$210 CL12-020000306 \$116	N1-5003339 \$234 SL4-5006787 \$210	N1-5003339 \$234 SL5-5009415 \$210 CL13-020000121 \$64	N1-5003339 \$234 SL5-5009415 \$210
	48" (122 cm) wide Q or S Series Manitowoc Ice Machine	N/A	N/A	SL6-5009414 \$210 CL13-020000121 \$64	SL6-5009414 \$210
	30" (76.2 cm) wide S Series Manitowoc Ice Machine	N1-5003339 \$234 SL3-5003674 \$210 CL12-020000306 \$116	N1-5003339 \$234 SL4-5006787 \$210	N1-5003339 \$234 SL5-5009415 \$210 CL13-020000121 \$64	N1-5003339 \$234 SL5-5009415 \$210
	One (1) Manitowoc 22" (55.9 cm) wide IB Series Ice Machine	IB5-5011135 \$376 CL12-020000306 \$116	IB4-5011134 \$379	IB6-5011136 \$425 CL13-020000121 \$64	IB7-5011137 \$564
	Two (2) Manitowoc 22" (55.9 cm) wide IB Series Ice Machine	N/A	N/A	IB8-5011138 \$575 CL13-020000121 \$64	IB9-5011139 \$568
	30" (76.2 cm) wide Non-Manitowoc Ice Machine	N1-5003339 \$234 SL3-5003674 \$210 CL12-020000306 \$116	N1-5003339 \$234 SL4-5006787 \$210	N1-5003339 \$234 SL5-5009415 \$210 CL13-020000121 \$64	N1-5003339 \$234 SL5-5009415 \$210

MDH Series Adapter Kits for Top-Mounted Ice Machine Applications

Item	Description
Q	Required ice baffle to top mount Manitowoc ice machine on Servend dispenser.
CL	Required ice machine lid for top-mounted ice machine applications. Lid covers dispenser manual fill area. (This price is only available for the above (CL) part numbers.)
SL	Required strip lid assembly to top mount an ice machine that is narrower than the dispenser.
N	Required ice deflector to top mount an ice machine.
IB	Required adapter kit to top mount Manitowoc IB Series ice machine on Servend dispenser. NOTE: IB adapter kits may be ordered through either MBE or Manitowoc Ice.

NOTE: When top mounting Servend's Ice/Beverage Dispensers with non-Manitowoc brand ice machines, be sure to check ice machine manufacturer's current product specifications (including ice zone drop areas) to ensure compatibility. Manufacturer's product specifications may change without notice.

Standard features include: Portion control through adjustable dispense time, backlit dispense nozzle with field-selectable flash sequence, built-in dispense counter to track individual flavor sales, POP instruction sheet, and easy-to-install pre-assembled valve and control board modules.



Description

Approx. Ship Wt.

List Price

Flavor Magic Module Kits

Kit Contents: Switch cover with nozzle, internal nozzle tubing mount, control board and valve solenoid assemblies, nozzle LED, 50 feet of bundled tubing (1 tube for each flavor).

Single Control Module Kits are compatible with single and dual chute dispensers. Dual Control Module Kits are compatible with dual chute dispensers only (MDH302 and MDH402).

Three Flavor		
Single Control Module	75 lbs.	\$1,315
Dual Control Module	151 lbs.	\$2,386
Four Flavor		
Single Control Module	75 lbs.	\$1,384
Dual Control Module	151 lbs.	\$2,506
Six Flavor		
Dual Control Module	151 lbs.	\$2,288
Eight Flavor		
Dual Control Module	151 lbs.	\$2,544

Flavor Magic Module BIB Racks

Back Room Kit Contents: BIB rack, BIB syrup pumps (1 for each flavor), low pressure CO₂ regulator (0-30 PSI).

BIB Rack



Three Flavor BIB Rack (1 box wide x 3 boxes high) 20" W x 36" H x 19" D		\$746
Four Flavor BIB Rack (1 box wide x 4 boxes high) 20" W x 48" H x 19" D		\$924
Six Flavor BIB Rack (2 boxes wide x 3 boxes high) 32" W x 36" H x 19" D		\$1,159
Eight Flavor BIB Rack (2 boxes wide x 4 boxes high) 32" W x 48" H x 19" D		\$1,461

Flavor Magic Module Package Deals

Package Deal includes: Flavor Magic module kit and BIB rack.

Three Flavor		
Single Control Module		\$1,967
Dual Control Module		\$2,757
Four Flavor		
Single Control Module		\$2,206
Dual Control Module		\$3,022
Six Flavor		
Dual Control Module		\$3,294
Eight Flavor		
Dual Control Module		\$3,828

BIB Connectors

QCD gray bayonet style	\$9.34
Coca-Cola screw-on connector	\$6.97
Encore Pepsi screw-on connector	\$9.34

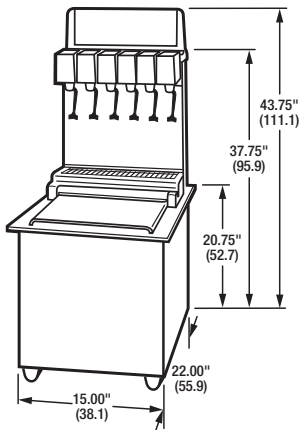
Tubing

Four-line bundled tubing, sold in 50 ft. rolls only.	\$277.50/roll
Four-line bundled tubing, sold in 100 ft. rolls only.	\$555.00/roll

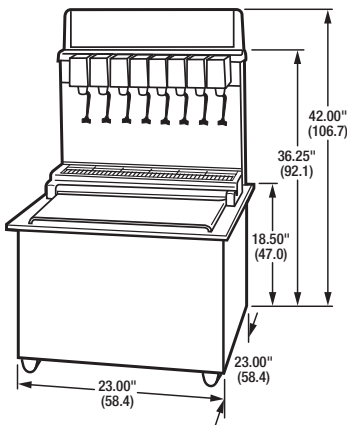
Drop-in Beverage Dispensers

(Includes Servend's Flomatic 424 Beverage Valves, Lighted dual-view™ Merchandiser with "Quench Your Thirst" Sign, Key Switch and Drain Kit.)

DI-1522



DI-2323



Model	Description	Number of Valves	Approx. Ship Wt.	List Price
DI Series				
DI-1522	60 lbs. ice storage	5	105 lbs.	\$3,917
	-choose push button or sanitary lever valves -choose push button or sanitary lever valves	6		\$4,181
DI-2323	80 lbs. ice storage	6	192 lbs.	\$4,913
	-choose push button or sanitary lever valves -choose push button or sanitary lever valves	8		\$5,435
DIL-2323	100 lbs. ice storage	6	227 lbs.	\$5,902
	-choose push button or sanitary lever valves -choose push button or sanitary lever valves	8		\$6,427

High Performance Pre-Mix Drop-in Beverage Dispensers available. (Pre-Mix DI-1522 5 & 6 Valve and DI-2323 & DIL-2323 6 Valves available.) Contact factory for pricing.

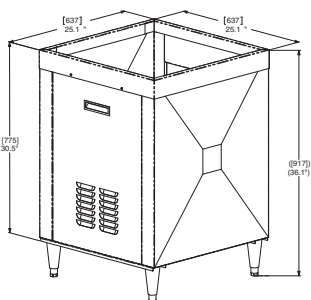
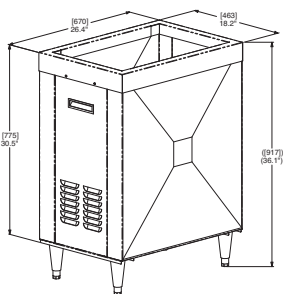
DI Series Options

Cold Carbonation	\$1,217
Side Splash Guards	\$233
Flomatic 424 Portion Control valves	\$196
	per valve
Flomatic 424 Automatic Fill valves	\$185
	per valve
Alternate voltages	
Cold Carbonation	\$430
Ambient Carbonation	\$310

Contact factory for alternative valve selection and pricing.

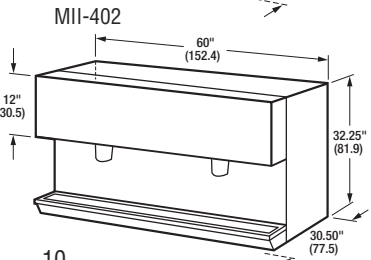
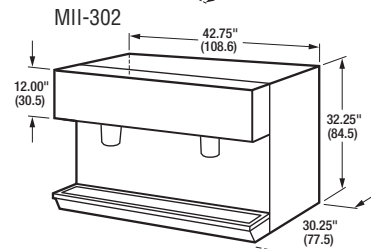
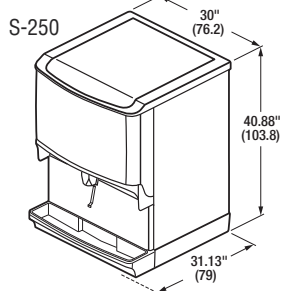
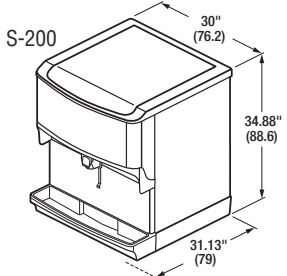
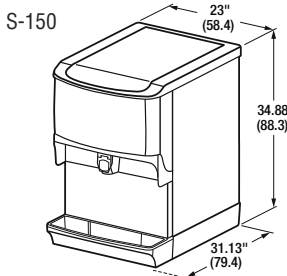
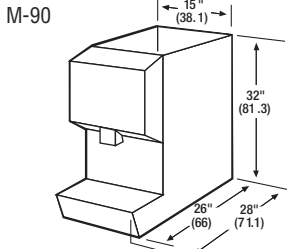
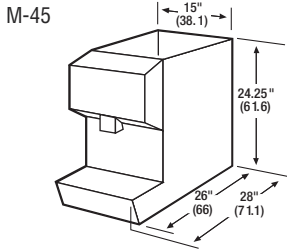
Drop-in Stands

Stainless steel, includes 6" leg set



Model	Description	Approx. Ship Wt.	List Price
16-1337-A	Stand for DI-1522 assembled stand	80 lbs.	\$502.47
16-1321-A	Stand for DI-2323 assembled stand	80 lbs.	\$530.39

Countertop Ice Dispensers



Model	Description	Approx. Ship Wt.	List Price
M-Series Countertop Ice and Beverage Dispensers			
(Includes "Ice" Sign, Rocking Chute Ice Dispense and Drain Kit)			
M-45	45 lbs. ice storage	67 lbs.	\$2,502
M-90	90 lbs. ice storage	116 lbs.	\$3,217

M-Series Options			
	Lighted Merchandiser Upcharge		\$132
	Four-inch leg kit (4 legs per kit)		\$51
	Water Dispenser		\$179
	Alternate Voltage		\$310

S-Series Countertop Ice Dispensers			
(Includes Lighted Merchandiser with "Ice" sign, Leg Kit and Drain Kit)			
S-150	150 lbs. ice storage	131 lbs.	\$3,615
S-200	200 lbs. ice storage	161 lbs.	\$4,127
S-250	250 lbs. ice storage	188 lbs.	\$4,831

S-Series Options			
	Water Dispenser		\$192
	Side Splash Guards		\$233
	Alternate Voltage		\$310

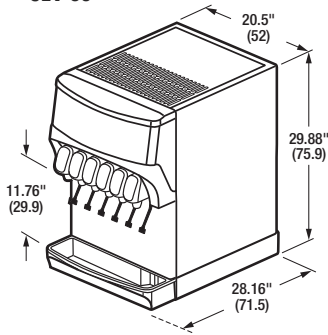
*See chart on page 5 for Ice Dispenser Adapter Kits.

MII-Series Countertop Ice and Beverage Dispensers			
(Includes Lighted Merchandiser with "Ice" sign and Drain Kit)			
MII-302	300 lbs. ice storage	320 lbs.	\$7,707
MII-402	400 lbs. ice storage	450 lbs.	\$9,017

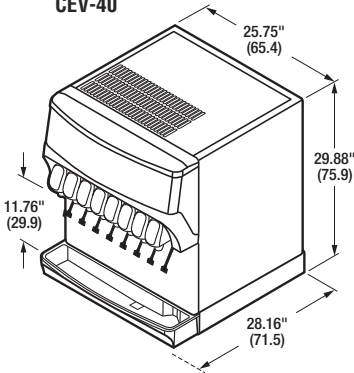
MII-Series Options			
	Water Dispenser		\$192
	Splash Guards		\$214
	Alternate Voltage		\$310

Countertop Electric Internal Cold Carbonation Beverage Dispensers

CEV-30



CEV-40



Model	Description	Number of Valves	Approx. Ship Wt.	List Price
(Includes Servend's Flomatic 424 Beverage Valves, "Quench Your Thirst" Sign and Decals, Leg Kit, Key Switch and Drain Kit)				
CEV-30	Internal Carbonation Nominal 32 lb. bank -choose push button or sanitary lever valves	6	173 lbs.	\$6,307
CEV-30j	Nominal 32 lb. bank -choose push button or sanitary lever valves	6	158 lbs.	\$4,783
CEV-40	Internal Carbonation Nominal 32 lbs. ice bank -choose push button or sanitary lever valves	8	175 lbs.	\$8,185

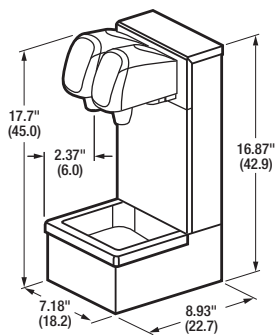
Options

Lighted Merchandiser	\$252
Alternative voltage	
External Carb	\$218
Internal Carb	\$334

Contact factory for alternative valve selection and pricing.

Beverage Towers

Beverage Tower

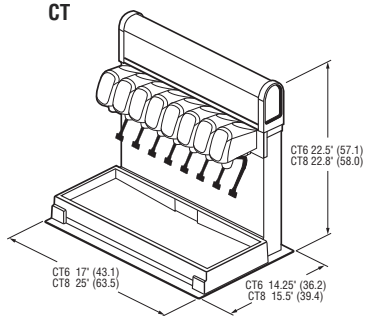


Two Valve Tower

(Includes Servend's Flomatic 424 Beverage Valves)
 Stainless steel beverage towers are available with two Flomatic push-button or sanitary lever valves.

Model	Description	Approx. Ship Wt.	List Price
	Flomatic Push Button Post-mix (finished drink)	12 lbs.	\$859
	Flavor Shot (syrup only)	12 lbs.	\$839

CT



CT Series Countertop Tower

(Includes Flomatic 464GP Beverage Valves)
 Lighted dual-view™ Merchandiser, "Quench Your Thirst" Sign graphics and key switch.

Model	Description	Approx. Ship Wt.	List Price
CT-6	Six-valve	50 lbs.	\$2,909
CT-8	Eight-valve	55 lbs.	\$3,290

Ice Chests

(Includes Drain Kit)

Model	Description	Approx. Ship Wt.	Countertop Stand Wt.	List Price
1522				
60 lbs. Ice Storage Capacity				
95-0100	Drop-in bin without cold plate	50 lbs.	33 lbs.	\$679
95-1100-7	Drop-in bin with cold plate (pre-mix)	102 lbs.	85 lbs.	\$1,537
95-1100-8	Drop-in bin with cold plate (post-mix)	102 lbs.	85 lbs.	\$1,256
96-0100	Freestanding bin without cold plate	60 lbs.*	33 lbs.	\$816
96-1100-7	Freestanding bin with cold plate (pre-mix)	112 lbs.*	85 lbs.	\$1,406
96-1100-8	Freestanding bin with cold plate (post-mix)	112 lbs.*	85 lbs.	\$1,394

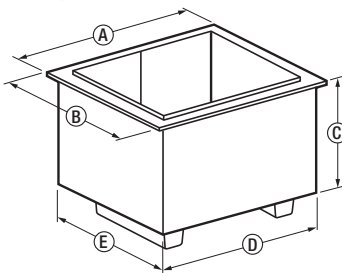
*SS Legs included with Freestanding units.



Model	Description	Approx. Ship Wt.	Countertop Stand Wt.	List Price
2123				
80 lbs. Ice Storage Capacity				
95-0200	Drop-in bin without cold plate	61 lbs.	42 lbs.	\$740
95-1200-7	Drop-in bin with cold plate (pre-mix)	140 lbs.	121 lbs.	\$1,408
95-1200-9	Drop-in bin with cold plate (post-mix)	140 lbs.	121 lbs.	\$1,478
96-0200	Freestanding bin without cold plate	71 lbs.*	42 lbs.	\$870
96-1200-7	Freestanding bin with cold plate (pre-mix)	150 lbs.*	121 lbs.	\$1,516
96-1200-9	Freestanding bin with cold plate (post-mix)	150 lbs.*	121 lbs.	\$1,584

*SS Legs included with Freestanding units.

Drop-in



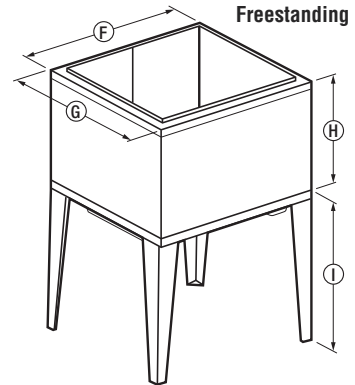
Model 1522 Dimensions

- A 24.29" (61.7 cm)
- B 17.25" (43.82 cm)
- C 14.25" (36.2 cm)
- D 22" (55.88 cm)
- E 15" (38.1 cm)
- F 22.18" (55.34 cm)
- G 15.18" (38.56 cm)
- H 14.25" (36.2 cm)
- I 19.46" (49.43 cm)

Model 2123 Dimensions

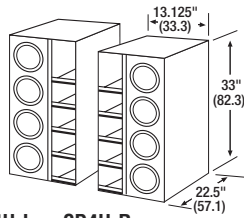
- A 25.3" (64.26 cm)
- B 23.3" (59.29 cm)
- C 14.25" (36.2 cm)
- D 23" (58.42 cm)
- E 21" (53.42 cm)
- F 23" (58.42 cm)
- G 21" (53.42 cm)
- H 14.25" (36.2 cm)
- I 19.46" (49.43 cm)

Freestanding



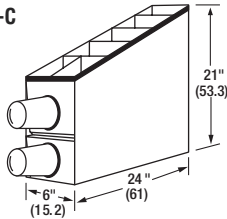
Cup Dispensers

Stainless Steel & Black CD4U Cup Dispensers

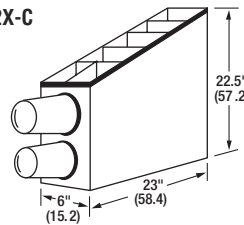


CD4U-L CD4U-R

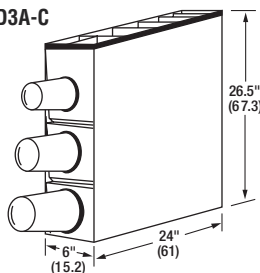
CD2A-C



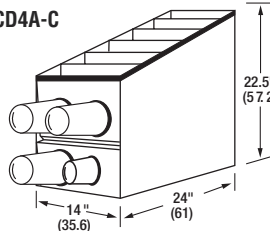
CD2X-C



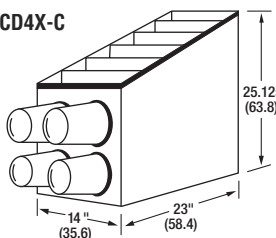
CD3A-C



CD4A-C



CD4X-C



Model	Description	Approx. Ship Wt.	List Price
CD4U Cup Dispenser	<p><u>Four cup holders with high volume lid and straw storage:</u></p> <p>Four cup tubes (approx. 12-44 oz. cups 3-3/8" - 4-5/8" cup diameter).</p> <p>No special cup tube sizes available. CD4U cup dispensers are either free standing, or they can be mounted to the side of MD Series Ice/Beverage dispensers via drain pan pin. Specify left (CD4U-L) and/or right (CD4U-R) unit when ordering. The maximum foam cup diameter on a CD4U is 3-7/8". The CD4U can accommodate a paper or plastic cup with a maximum diameter of 4-5/8".</p>		
	<p>Stainless Steel-SSCD4U-L Part (33" H)</p> <p>Stainless Steel-SSCD4U-R Part (33" H)</p> <p>Black-BCD4U-L Part (33" H)</p> <p>Black-BCD4U-R Part (33" H)</p>	<p>38 lbs.</p> <p>38 lbs.</p> <p>38 lbs.</p> <p>38 lbs.</p>	<p>\$1,428 ea.</p> <p>\$1,428 ea.</p> <p>\$1,568 ea.</p> <p>\$1,568 ea.</p>
CD2A-C	<p><u>Two cup holders with storage areas for lids, sugar, cream and stir:</u></p> <p>One 3-1/4" - 3-5/8" cup diameter, gravity cup tube</p> <p>One 4" - 4-3/4" cup diameter, gravity cup tube</p> <p>6"W x 24"D x 21"H</p>	21 lbs.	\$656
CD2X-C	<p>One 2-3/4" - 3-3/8" cup diameter, heavy spring loaded cup tubes. One 3-1/4" - 3-5/8" cup diameter, heavy spring loaded cup tubes 6"W x 23"D x 22-1/2"H</p>	23 lbs.	\$723
CD3A-C	<p><u>Three cup holders with storage areas for lids, sugar, cream and stir:</u></p> <p>Two 3-1/4" - 3-5/8" cup diameter, gravity cup tubes</p> <p>One 4" - 4-3/4" cup diameter, gravity cup tube</p> <p>6"W x 24"D x 26-1/2"H</p>	27 lbs.	\$804
CD4A-C	<p><u>Four cup holders with high volume lid, straw, napkin storage:</u></p> <p>Two 3-1/4" - 3-5/8" cup diameter, gravity cup tubes</p> <p>Two 4" - 4-3/4" cup diameter, gravity cup tubes</p> <p>14" W x 24" D x 22-1/2" H</p>	39 lbs.	\$891
CD4X-C	<p>Two 3-1/4" - 3-5/8" cup diameter, heavy spring loaded cup tubes. Two 4" - 4-3/4" cup diameter, heavy spring loaded cup tubes. 14" W x 23" D x 25-1/8" H</p>	39 lbs.	\$1,107

Note: Cup diameters must be specified – measure outer diameter of top of cups.
Specials: An additional list price of \$228 per unit applies to any order placed with a non-standard cup tube set. Non-standard, "special" cup dispensers are NOT subject to cancellation or return. Contact factory for assistance with special tube size orders. Cup and lid holders cannot be modified.

Cup Dispenser Options (Gravity Feed Only)

Heavy spring kit for paper cups and plastic cups Please specify tube dimension size	2 lbs.	\$132 each tube
Light spring kit for foam cups Please specify tube dimension size	2 lbs.	\$132 each tube

Complete BIB Beverage Installation Kit “Package Deals”

These Complete Beverage System Installation “Package Deal” Kits make it easier for you to order all the beverage installation components you need to install a 6-24 valve ice/beverage system. Kits have the beverage components and pumps completely assembled and mounted on the racks with CO₂ inlet lines, syrup lines and bag connectors, to save time on installation.

Item #	Description	Approx. Ship Wt.*	List Price
6 Valve Complete BIB Beverage Installation Kit “Package Deal”			
5009702	<p>6 Valve Bag-In-Box kit includes: (1) 2 Wide x 3 High welded incline rack, (6) Flojet syrup pumps, (1) fast flow carbonator, (1) primary regulator, (1) secondary regulator. Dimensions: 27-1/4"W x 17-1/2"D x 37-1/2"H / 69.2W x 44.4D x 95.2H cm BIB Connectors must be ordered separately, listed on page 8.</p> <p>Kit includes beverage installation components for the carbonator, regulator and ice/beverage dispenser cold plate inlet plumbing: washers, nut and stem assemblies, barbed crosses, barbed tees, and cable ties.</p> <p>Kit also includes the following single line beverage tubing for the carbonator, regulator, syrup pumps and water hook up: (1) 100' roll of 1/4" braided tubing, (1) 100' roll of 3/8" braided beverage tubing, (1) 25' roll of 3/8" BIB tubing. Beverage tubing for the syrup run (from unit to BIB boxes) must be ordered in addition to this kit - see next item.</p>	117 lbs.	\$2,081
974-00080X50	Bundled Beverage Tubing (50' of 8 line) for syrup run from unit to BIB boxes (1) 50' roll of 8 line sealed beverage tubing, 3/8" line. Single line beverage tubing also available - see page 17 of the price list.	26 lbs.	\$299
5009702 974-00080X50	Total 6 Valve Beverage Installation Kit “Package Deal” with Bundled Beverage Tubing (50' of 8 line).	143 lbs.	\$2,380
8 Valve Complete BIB Beverage Installation Kit “Package Deal”			
5009703	<p>8 Valve Bag-In-Box kit includes: (1) 2 Wide x 4 High welded incline rack, (8) Flojet syrup pumps, (1) fast flow carbonator, (1) primary regulator, (1) secondary regulator. Dimensions: 27-1/4"W x 17-1/2"D x 50"H / 69.2W x 44.4D x 127H cm BIB Connectors must be ordered separately, listed on page 8.</p> <p>Kit includes beverage installation components for the carbonator, regulator and ice/beverage dispenser cold plate inlet plumbing: washers, nut and stem assemblies, barbed crosses, barbed tees, and cable ties.</p> <p>Kit also includes the following single line beverage tubing for the carbonator, regulator, syrup pumps and water hook up: (1) 100' roll of 1/4" braided tubing, (1) 100' roll of 3/8" braided beverage tubing, (1) 25' roll of 3/8" BIB tubing. Beverage tubing for the syrup run (from unit to BIB boxes) must be ordered in addition to this kit - see next item.</p>	121 lbs.	\$2,348
974-00100X50	Bundled Beverage Tubing (50' of 10 line) for syrup run from unit to BIB boxes (1) 50' roll of 10 line sealed beverage tubing, 3/8" line. Single line beverage tubing also available - see page 17 of the price list.	30 lbs.	\$338
5009703 974-00100X50	Total 8 Valve Beverage Installation Kit “Package Deal” with Bundled Beverage Tubing (50' of 10 line).	151 lbs.	\$2,686

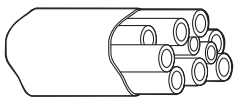
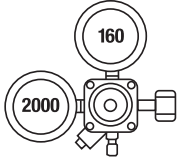
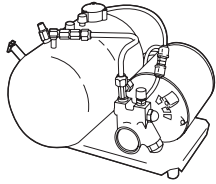
*Approximate ship weight for items sold separately without pallets.

Complete BIB Beverage Installation Kit "Package Deals"

Item #	Description	Approx. Ship Wt.*	List Price
10 Valve Complete BIB Beverage Installation Kit "Package Deal"			
5009704	10 Valve Bag-In-Box kit includes: (1) 2 Wide x 5 High welded incline rack, (10) Flojet syrup pumps, (1) fast flow carbonator, (1) primary regulator, (1) secondary regulator. Dimensions: 27-1/4" W x 17-1/2" D x 62-1/2" H / 69.2 W x 44.4 D x 158.7 H cm BIB Connectors must be ordered separately, listed on page 8. Kit includes beverage installation components for the carbonator, regulator and ice/beverage dispenser cold plate inlet plumbing: washers, nut and stem assemblies, barbed crosses, barbed tees, and cable ties. Kit also includes the following single line beverage tubing for the carbonator, regulator, syrup pumps and water hook up: (1) 100' roll of 1/4" braided tubing, (1) 100' roll of 3/8" braided beverage tubing, (1) 50' roll of 3/8" BIB tubing. Beverage tubing for the syrup run (from unit to BIB boxes) must be ordered in addition to this kit - see next item.	136 lbs.	\$2,610
974-00120X50	Bundled Beverage Tubing (50' of 12 line) for syrup run from unit to BIB boxes (1) 50' roll of 12 line sealed beverage tubing, 3/8" line. Single line beverage tubing also available - see page 17 of the price list.	33 lbs.	\$390
5009704 974-00120X50	Total 10 Valve Beverage Installation Kit "Package Deal" with Bundled Beverage Tubing (50' of 12 line).	169 lbs.	\$3,000
12 Valve Complete BIB Beverage Installation Kit "Package Deal"			
5009705	12 Valve Bag-In-Box kit includes: (1) 3 Wide x 4 High welded incline rack, (12) Flojet syrup pumps, (1) fast flow carbonator, (1) primary regulator, (1) secondary regulator. Dimensions: 39-1/4" W x 17-1/2" D x 50" H / 69.2 W x 44.4 D x 127 H cm. BIB Connectors must be ordered separately, listed on page 8. Kit includes beverage installation components for the carbonator, regulator and ice/beverage dispenser cold plate inlet plumbing: washers, nut and stem assemblies, barbed crosses, barbed tees, and cable ties. Kit also includes the following single line beverage tubing for the carbonator, regulator, syrup pumps and water hook up: (1) 100' roll of 1/4" braided tubing, (1) 100' roll of 3/8" braided beverage tubing, (1) 50' roll of 3/8" BIB tubing. Beverage tubing for the syrup run (from unit to BIB boxes) must be ordered in addition to this kit - see next item.	146 lbs.	\$2,927
974-00140X50	Bundled Beverage Tubing (50' of 14 line) for syrup run from unit to BIB boxes (1) 50' roll of 14 line sealed beverage tubing, 3/8" line. Single line beverage tubing also available - see page 17 of the price list.	36 lbs.	\$481
5009705 974-00140X50	Total 12 Valve Beverage Installation Kit "Package Deal" with Bundled Beverage Tubing (50' of 14 line).	182 lbs.	\$3,408
20 Valve BIB Assembled Beverage Rack			
010000020	Back Room Package 20 Center Mounted Pump Dual Co2 Pressure Rack (1) 6 Wide x 4 High welded rack, (20) Flojet syrup pumps, (1) Tank mount primary regulator (9 CFM), (2) Secondary regulator and Top shelf, includes fittings, clamps, 1/4" hose for CO ₂ , 3/8" hose for water connections. (16 pumps will be on one regulator for fountain drinks. 4 pumps will be on a separate regulator for lower pressure applications) Dimensions: 39" W x 20" D x 82" H BIB Connectors ordered separately, listed on page 8.	280 lbs.	\$3,020
010000040	16 Soda / 8 Flavor Shot BIB Connectors ordered separately, listed on page 8.	300 lbs.	\$ 3146
24 Valve BIB Assembled Beverage Rack			
010000030	BACK ROOM PACKAGE 24 SIDE MOUNT PUMP DUAL CO2 PRESSURE RACK (1) 6 Wide x 5 High welded rack, (24) Flojet syrup pumps, (1) Tank mount primary regulator (9 CFM), (2) secondary regulator and Top shelf, includes fittings, clamps, 1/4" hose for CO ₂ , 3/8" hose for water connections. (20 pumps will be on one regulator for fountain drinks 4 pumps will be on a separate regulator for lower pressure applications) Dimensions: 49" W x 20" D x 85" H BIB Connectors ordered separately, listed on page 8. Note: Syrup boxes are installed in a vertical position. Rack can accommodate 16 five-gallon boxes, 20 three-gallon boxes, or 32-2.5 gallon boxes. Not all syrup flavors are available in all box sizes in all regions of the country. Standard Box Dimensions: 5 Gallon Box 8"H x 11-1/4"W x 16"D; 3 Gallon Box 5-3/4"H x 11-1/4"W x 16"D; 2.5 Gallon Box 4-1/4"H x 11-1/4"W x 16"D	300 lbs.	\$ 3139

*Approximate ship weight for items sold separately without pallets.

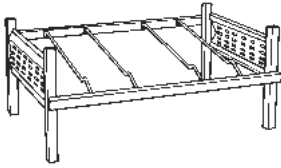
Individual Beverage Installation Components



Item #	Description	Approx. Ship Wt.	List Price
Carbonators			
43-6002	Standard Flow Carbonator with vented check valve	25 lbs.	\$740.50
E400397	Fast Flow Carbonator with ventable check valve	26 lbs.	\$777.55
Regulators			
YQT-731C	Post-mix primary Bag-in-Box regulator (1 pressure/1 product)		\$80.11
YQT-731A	Post-mix secondary Bag-in-Box regulator (1 pressure/1 product)		\$69.74
Beverage Tubing			
	(beverage tubing ordered separately to accommodate specific beverage installation requirements)		
Item #	Description of Tubing	Approx. Ship Wt.	List Price Per roll
	Single Line Braided Beverage Tubing		
172-04102-77	100' roll of 1/4" beverage tubing - .37/ft	5 lbs.	\$37
172-04502-00	500' roll of 1/4" beverage tubing - .37/ft	26 lbs.	\$185
172-06100-77	100' roll of 3/8" beverage tubing - .55/ft	8 lbs.	\$55
172-06300-00	300' roll of 3/8" beverage tubing - .61/ft	25 lbs.	\$183
	Bundled Beverage Tubing (bundled lines of beverage tubing for quicker install)		
	<u>Recommended for 6 valve units:</u>		
974-00080X50	50' roll of 8 line sealed beverage tubing (8 - 3/8" line)	26 lbs.	\$299
974-00080-01	100' roll of 8 line sealed beverage tubing (8 - 3/8" line)	52 lbs.	\$630
	<u>Recommended for 8 valve units:</u>		
974-00100X50	50' roll of 10 line sealed beverage tubing (10 - 3/8" lines)	30 lbs.	\$338
974-00100-01	100' roll of 10 line sealed beverage tubing (10 - 3/8" lines)	68 lbs.	\$668
	<u>Recommended for 10 valve units:</u>		
974-00120X50	50' roll of 12 line sealed beverage tubing (12 - 3/8" lines)	33 lbs.	\$390
974-00120-01	100' roll of 12 line sealed beverage tubing (12 - 3/8" lines)	70 lbs.	\$745
	<u>Recommended for 12 valve units:</u>		
974-00140X50	50' roll of 14 line sealed beverage tubing (14 - 3/8" lines)	36 lbs.	\$481
974-00140-01	100' roll of 14 line sealed beverage tubing (14 - 3/8" lines)	72 lbs.	\$955

Individual Beverage System Installation Components

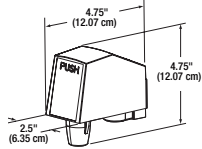
Model	Description	Approx. Ship Wt.*	List Price
Beverage Installation Kits			
	<p>Beverage installation kits include installation components for carbonator, ice and beverage dispenser and regulator plumbing: (washers, nut and stem assemblies, barbed cross, barbed tees, clamps, and barbed splicers).</p> <p>Beverage tubing for syrup and carbonator should be ordered separately.</p>		
5008911	Bag-In-Box installation kit - for 6 to 8 valves, post mix	122 lbs.	\$131.96
5008912	Bag-In-Box installation kit - for 10 to 12 valves, post mix	82 lbs.	\$196.85
5008913	Figal installation kit 6 & 8 for post mix and/or pre-mix	200 lbs.	\$216.32
Bag-In-Box Installation Pump Kits			
	<p>Bag-In-Box installation pump kits include: (pumps, auto bag selectors, bag connectors, 1/2" stepless clamps, 11/16" stepless clamps, 1/4" barbed tees, 1/4" barbed crosses and Bag-In-Box tubing for pumps.</p>		
1701602	General Bottler pump kit for 6 products	18 lbs.	\$1,004.81
1701604	General Bottler pump kit for 8 products	22 lbs.	\$1,301.16
1701603	Coca-Cola pump kit for 6 products	10 lbs.	\$1,052.36
1701605	Coca-Cola pump kit for 8 products	22 lbs.	\$1,395.35
Bag-In-Box Racking and Accessories			
2-WI-MBS Kit	Syrup racking General Bottler - 2 box (inclined rack)	11 lbs.	\$42.66
3-WI-MBS Kit	Syrup racking NSF - 3 box (inclined rack)	17 lbs.	\$60.53



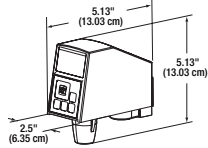
*Approximate ship weight for items sold separately without pallets.

Flomatic Beverage Valves

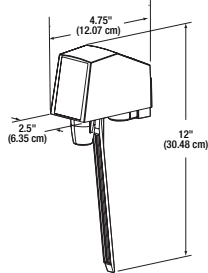
424 Push Button



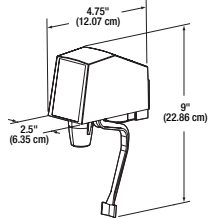
424 Portion Control



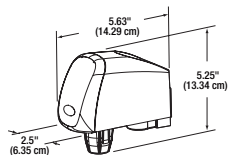
424 Automatic Fill Lever



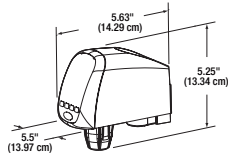
424 Sanitary Push Lever



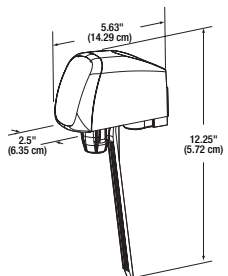
464GP Push Button



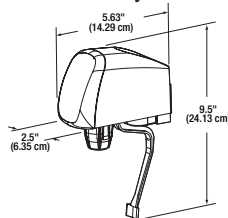
464GP Portion Control



464GP Automatic Fill Lever



464GP Sanitary Push Lever



Model	Description	Approx. Ship Wt.	List Price
424 Beverage Valves			
	1.5 to 3 oz./sec dual flow controls	2 lbs.	\$118.11 \$145.95 \$126.97 \$210.53 \$197.37 \$102.47 \$19.29
	Sanitary Lever - Molded Plastic		
	Sanitary Lever - Stainless Steel		
	Push Button		
	Portion Control		
	Automatic Fill Lever		
	Manual Sanitary Lever	2 lbs.	\$129.56 \$124.47 \$133.29 \$137.87 \$131.89
Juice Valve	Mounting block: .38" inlet port		
	HV-Juice Valve (WI) - plastic sanitary lever		
	Juice Valve (WJ) plastic sanitary lever		
	HV-Juice Valve (WI) push button		
	Juice Valve (WJ) push button		
	Juice Valve (WJ) stainless steel sanitary lever		

Model	Description	Approx. Ship Wt.	List Price
464GP Beverage Valves			
	2-4 oz./sec: dual flow controls	2 lbs.	\$140.50 \$144.34 \$149.82 \$223.68 \$210.53 \$111.13 \$19.29
	Sanitary Lever- Molded Plastic		
	Sanitary Lever - Stainless Steel		
	Push Button		
	Portion Control		
	Automatic Fill Lever		
	Manual Sanitary Lever		
	Mounting block: .38" inlet port		



SOLUTIONS

Servend provides many of the operational solutions from ManitoWoc Foodservice, a global company dedicated to bringing value to foodservice operators by equipping them with highly individualized real-world answers that enhance menus, service, profits and efficiency.



FINANCE

ManitoWoc Foodservice offers low-rate, fast approval financing on all our leading brands through ManitoWoc Finance. Preserve capital, simplify budgeting and get the equipment you need, today.

To learn how ManitoWoc Foodservice and its leading brands can equip you, visit our global web site at www.manitowocfoodservice.com then find the regional or local resources available to you.

