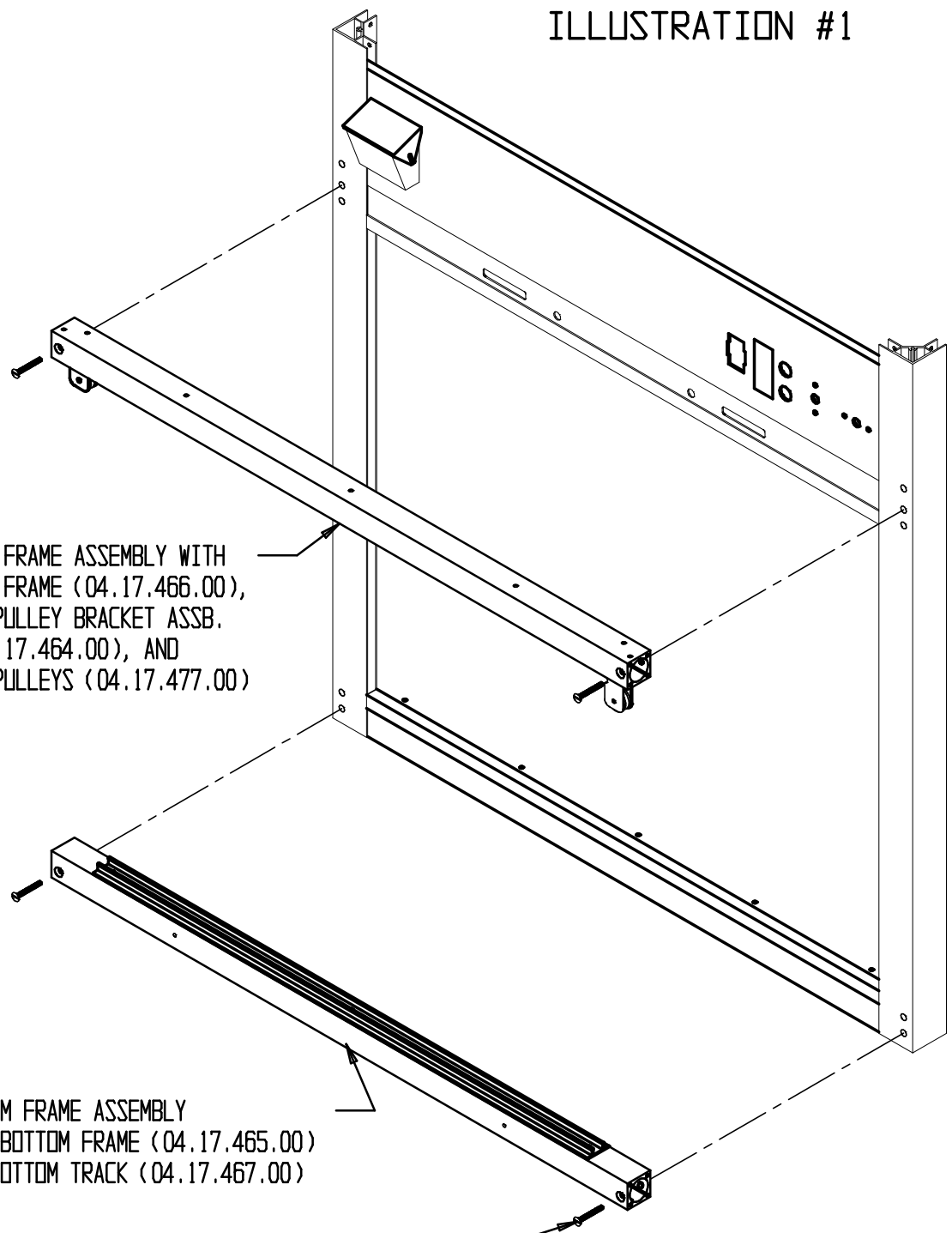


# ILLUSTRATION #1



TOP FRAME ASSEMBLY WITH  
TOP FRAME (04.17.466.00),  
2: PULLEY BRACKET ASSB.  
(04.17.464.00), AND  
2: PULLEYS (04.17.477.00)

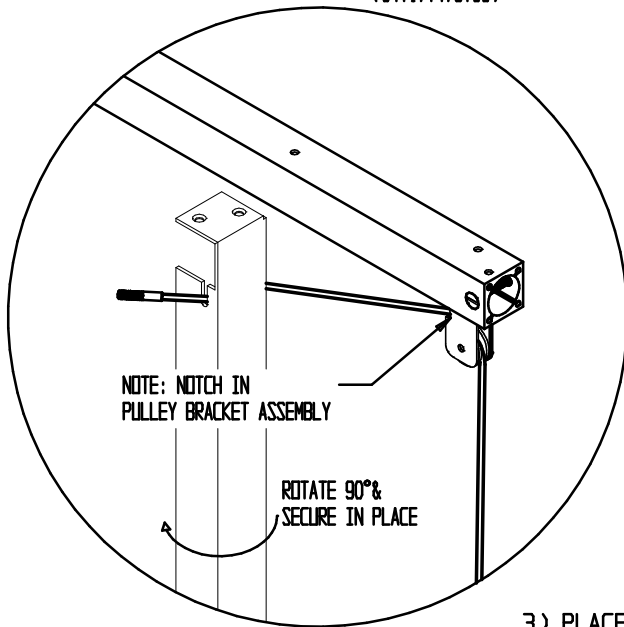
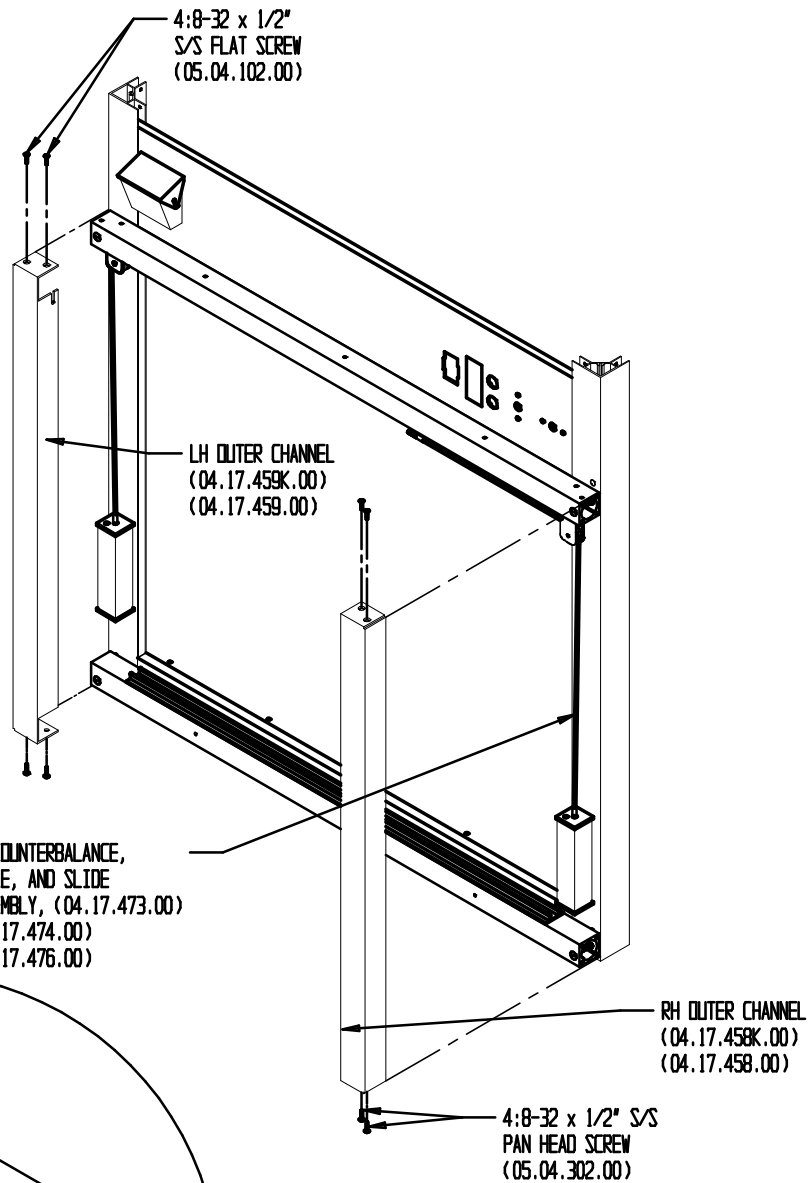
BOTTOM FRAME ASSEMBLY  
WITH BOTTOM FRAME (04.17.465.00)  
AND BOTTOM TRACK (04.17.467.00)

4: 10-32 FLAT HEAD  
SCREWS, (05.04.173.00)

ASSEMBLE UPPER FRAME AND LOWER FRAME ASSMBLIES PER  
ILLUSTRATION #1.

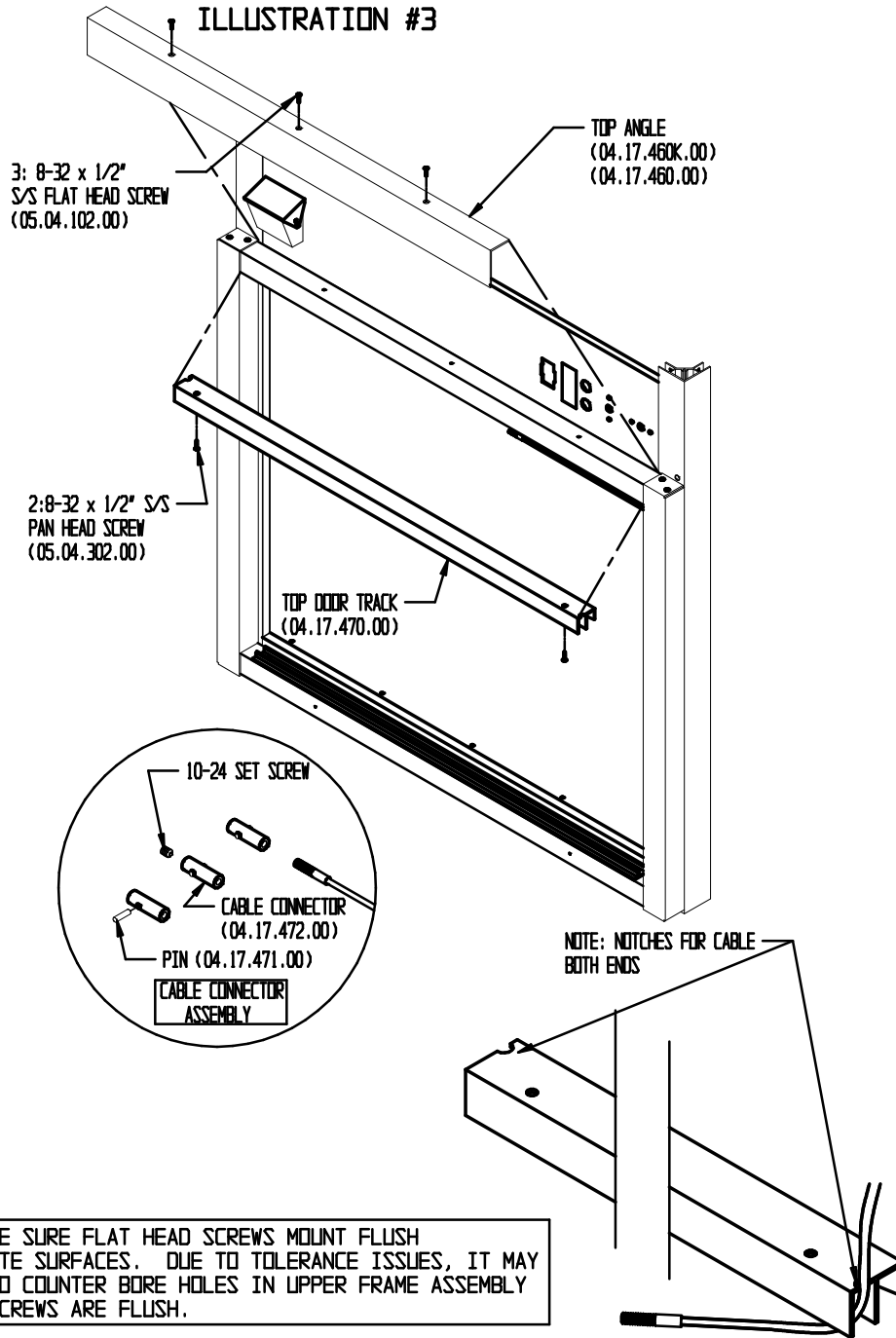
MOUNT UPPER FRAME ASSEMBLY AND LOWER FRAME ASSEMBLY  
AS SHOWN.

## ILLUSTRATION #2



- 3) PLACE CABLE/COUNTERBALANCE/SLIDE ASSEMBLY THROUGH PULLEY ASSEMBLY AS SHOWN IN ILLUSTRATION 2.
- 4) MOUNT RH AND LH OUTER CHANNELS. NOTE NOTCH IN PULLEY BRACKET. PLACE CABLE IN NOTCH, THREAD CABLE THROUGH CHANNEL SLOT AS SHOWN. AND PUSH CHANNELS INTO PLACE AND SECURE WITH SCREWS.

### ILLUSTRATION #3



- 5) ASSEMBLE CABLE CONNECTOR AS SHOWN IN ILLUSTRATION 3. MOUNT THIS ASSEMBLY TO CABLE/COUNTER-BALLANCE ASSEMBLY.
- 6) MOUNT TOP DOOR TRACK AS SHOWN. NOTE NOTCH IN DOOR TRACK. PLACE CABLE THROUGH NOTCH AT BOTH ENDS AND PUSH INTO PLACE. SECURE WITH SCREWS.
- 7) MOUNT TOP ANGLE AS SHOWN.

# ILLUSTRATION #4

INNER DOOR ASSEMBLY  
SEE DRAWING HS2-3272

OUTER DOOR ASSEMBLY  
SEE DRAWING HS2-3273

BOTTOM ANGLE  
(04.17.461K.00)  
(04.17.461.00)

2: 8-32 S/S THUMB SCREW  
(05.04.305.00)

8) MOUNT OUTER AND INNER DOOR ASSEMBLIES. MOUNT BOTTOM ANGLE AS SHOWN.

