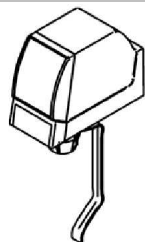
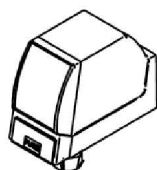


DISPENSING VALVES

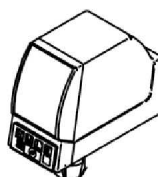
UF-1 COMPLETE POST-MIX VALVES



LEVER



SELF SERVE



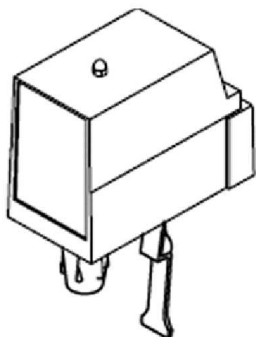
PORTION CONTROL



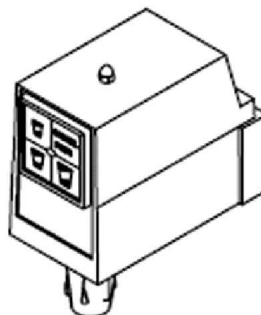
OPTIFILL™

PART NUMBER	PRODUCT DESCRIPTION	PACK QTY	U/M	LIST PRICE
1962	UF-1 VALVE W/ COVER & MTG BLOCK	1	EA	\$188.89
1963	UF-1 VALVE LEVER 1.5 W/ COVER & MTG BLOCK	1	EA	\$188.56
1964	UF-1 VALVE LEVER 2.5 W/COVER & MTG BLOCK	1	EA	\$188.56
2300	UF-1 VALVE LEVER, COVER, & MTG BLK 1.5-3 OZ	1	EA	\$220.45
2302	UF-1 STD FLOW LEVER VALVE, W/ MTG BLOCK & COVER	1	EA	\$203.67
2304	UF-1 STD FLOW SELF SERVE VALVE, W/ MTG BLOCK & COVER	1	EA	\$189.67
2306	UF-1 STD FLOW OPTIFILL VALVE W/ MTG BLOCK & COVER	1	EA	\$357.56
2309	UF-1 FAST FLOW SELF SERVE VALVE, W/ MTG BLOCK & COVER	1	EA	\$203.67
561000119	UF-1 VALVE W/ MTG BLK & CVR 2-4 OZ FLOW	1	EA	\$184.45
561000121	UF-1 VALVE SS SANITARY LEVER W/MTG BLOCK & COVER (1.5-3.0)	1	EA	\$220.45
561000119C	UF-1 FAST FLOW POSTMIX VALVE W/STAND 3" LEVER	1	EA	\$203.67

SF-1 COMPLETE POST-MIX VALVES



LEVER



PORTION CONTROL

PART NUMBER	PRODUCT DESCRIPTION	PACK QTY	U/M	LIST PRICE
318806015	SF-1 STANDARD FLOW VALVE W/CVR & MTG BLK	1	EA	\$187.45
318807015	SF-1 MANUAL VALVE W/CVR & MTG BLOCK	1	EA	\$208.00
318813015	SF-1 FF VALVE LEVER W/CVR & MTG BLOCK	1	EA	\$250.12
318813012	SF-1 FAST FLOW VALVE W/WATER LEVER	1	EA	\$218.89

DISPENSING VALVES

DOLE FFV COMPLETE POST-MIX VALVES



SANITARY



LEVER

PART NUMBER	PRODUCT DESCRIPTION	PACK QTY	U/M	LIST PRICE
83377-1	DOLE FFV POSTMIX VALVE W/LEVER-CVR-MTG BLK	1	EA	\$164.45
8337701C	DOLE FFV POSTMIX VALVE W/ 3" STANDARD LEVER	1	EA	\$170.56
83377-011C	DOLE FFV POSTMIX VALVE W/PB CVR & MTG BLOCK	1	EA	\$220.00
83377-014C	DOLE FFV SUREFILL VALVE	1	EA	\$338.00
83377-121C	DOLE FFV PORTION CONTROL VALVE SMLXL	1	EA	\$383.89

FLOMATIC COMPLETE VALVES POST-MIX VALVE



SANITARY



SELF SERVE



LEVER



PORTION CONTROL

PART NUMBER	PRODUCT DESCRIPTION	PACK QTY	U/M	LIST PRICE
424CFE251521	FLOMATIC 424 ELECTRIC VALVE	1	EA	\$115.56
424CFP321500	FLOMATIC 424 PORTION CONTROL VALVE W/4 SIZES	1	EA	\$253.78
424CFS251525	FLOMATIC 424 PB DUAL FLOW CONTROL VALVE	1	EA	\$154.42
424CFS351525WJ	FLOMATIC 424 PUSH BUTTON JUICE VALVE	1	EA	\$169.56
202FN1100	FLOMATIC MANUAL VALVE	1	EA	\$48.34
202-QD-1101	FLOMATIC 202 VALVE W/LEVER	1	EA	\$66.56

DISPENSING VALVES

LANCER COMPLETE POST-MIX VALVES



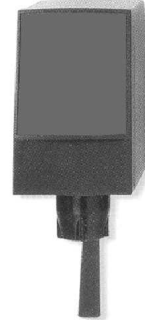
SANITARY



PORTION CONTROL



SELF SERVE



LEVER

PART NUMBER	PRODUCT DESCRIPTION	PACK QTY	U/M	LIST PRICE
19-0099	LANCER LEV VALVE W/ PORTION CONTROL	1	EA	\$433.34
19-0077/01	LANCER LEV STD LEVER POST-MIX VALVE	1	EA	\$175.56
19-0070/01	LANCER MECHANICAL LEVER VALVE	1	EA	\$143.34
19-0114/01	LANCER PUSH BUTTON VALVE	1	EA	\$211.11
19-0115/01	LANCER PB VALVE W/WATER LEVER	1	EA	\$198.89
19-0120	LANCER LEV SELF SERVE LEVER 3.0 OZ/SEC	1	EA	\$162.12

DISPENSING VALVES

MCCANN'S 2-FLAVOR POST-MIX VALVES



McCann's 2-Flavor Valves

McCann's currently offers the only 2-Flavor dispensing valves in the industry. These valves permit double your space in the market. Simply replace a standard single-flavor unit with one of these practical valves and begin offering 2 flavors of either a carbonated or non-carbonated beverage in the same dispenser space. McCann's produces in two configurations: with (3) metering stems (P/N 27-2002-100) or (3) flow controls (P/N 27-2003-100). In addition, adapter kits can be provided allowing quick installation in place of a McCann's Turbo-Flo, a Cornelius SF-1/UF-1, or Dole valve.

With your valves order from the following:

16-1257 adapter block kit - McCann's
16-1258 adapter block kit - Cornelius
16-1259 adapter block kit - Dole

15-1413 Back block for TurboFlo
15-1451 Back block for TurboFlo jR

PART NUMBER	PRODUCT DESCRIPTION	PACK QTY	U/M
27-2002-100	MCCANN 2-FLAVOR VALVE W/ METERING SYSTEM	1	EA
27-2003-100	MCCANN 2-FLAVOR VALVE W/ FLOW CONTROLS	1	EA
16-1257	ADAPTER BLOCK KIT - MCCANN'S	1	EA
16-1258	ADAPTER BLOCK KIT - CORNELIUS	1	EA
16-1259	ADAPTER BLOCK KIT - DOLE	1	EA

DISPENSING VALVES

FAUCETS - POINT OF USE



PART NUMBER	PRODUCT DESCRIPTION	PACK QTY	U/M
1016186	FAUCET, POLISHED STAINLESS, 2" BASE, MOUNTING HARWARE INCLUDED	1	EA
1016455	FAUCET, ALMOND, 2" BASE, MOUNTING HARWARE INCLUDED	1	EA
1016456	FAUCET, POLISHED BRASS, 2" BASE, MOUNTING HARWARE INCLUDED	1	EA
1016458	FAUCET, BLACK, 2" BASE, MOUNTING HARWARE INCLUDED	1	EA
1016457	FAUCET, PARCHMENT, 2" BASE, MOUNTING HARWARE INCLUDED	1	EA
1016459	FAUCET, SATIN BRASS, 2" BASE, MOUNTING HARWARE INCLUDED	1	EA
1016460	FAUCET, SATIN FINISH, 2" BASE, MOUNTING HARWARE INCLUDED	1	EA
1016461	FAUCET, WHITE, 2" BASE, MOUNTING HARWARE INCLUDED	1	EA
1016185	FAUCET, POLISHED STAINLESS WITH AIR GAP, 2" BASE, MOUNTING HARWARE INCLUDED	1	EA
1016462	FAUCET, ALMOND WITH AIR GAP, 2" BASE, MOUNTING HARWARE INCLUDED	1	EA
1016463	FAUCET, POLISHED BRASS WITH AIR GAP, 2" BASE, MOUNTING HARWARE INCLUDED	1	EA
1016465	FAUCET, BLACK WITH AIR GAP, 2" BASE, MOUNTING HARWARE INCLUDED	1	EA
1016464	FAUCET, PARCHMENT WITH AIR GAP, 2" BASE, MOUNTING HARWARE INCLUDED	1	EA
1016466	FAUCET, SATIN BRASS WITH AIR GAP, 2" BASE, MOUNTING HARWARE INCLUDED	1	EA
1016467	FAUCET, SATIN FINISH WITH AIR GAP, 2" BASE, MOUNTING HARWARE INCLUDED	1	EA
1016468	WITH AIR GAP	1	EA

FAUCET - FOUNTAIN GLASS FILLERS



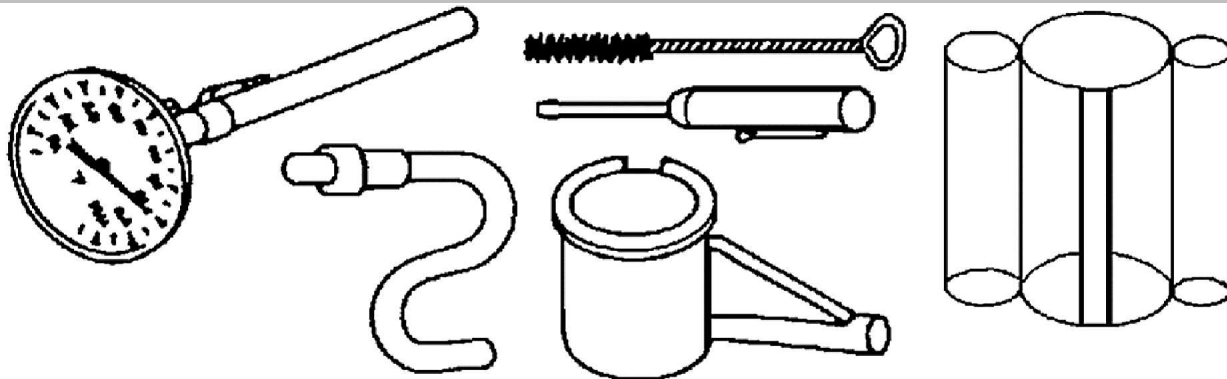
PART NUMBER	PRODUCT DESCRIPTION	PACK QTY	U/M
1016166	GLASS FILLER W/ 5" SPOUT, LEAD FREE BRASS, LEVER ACTUATED	1	EA
1016165	GLASS FILLER W/ 8" SPOUT, LEAD FREE BRASS, LEVER ACTUATED	1	EA
1016167	GLASS FILLER LONG REACH SPOUT, LEAD FREE BRASS, LEVER ACTUATED	1	EA
1016168	GLASS FILLER PUSH BACK, LEAD FREE BRASS, LEVER ACTUATED	1	EA
1016169	GLASS FILLER PUSH DOWN, LEAD FREE BRASS, LEVER ACTUATED	1	EA
1016174	GLASS FILLER CUP TRIP, VERTICAL MOUNT, LEAD FREE BRASS, LEVER ACTUATED	1	EA
1016701	GLASS FILLER 3/8" NPS, VERTICAL MOUNT, LEAD FREE BRASS, LEVER ACTUATED	1	EA

DISPENSING VALVES

FAUCETS - CONTAINERS

PART NUMBER	PRODUCT DESCRIPTION	PACK QTY	U/M
1000231	BLACK PLASTIC BODY FITS ALL 38MM SPOUTS W/ 1/2" ID, FOR CONTAINERS OF WINE, JUICES, SYRUPS, WATER & CLEANING PRODUCTS	1	EA

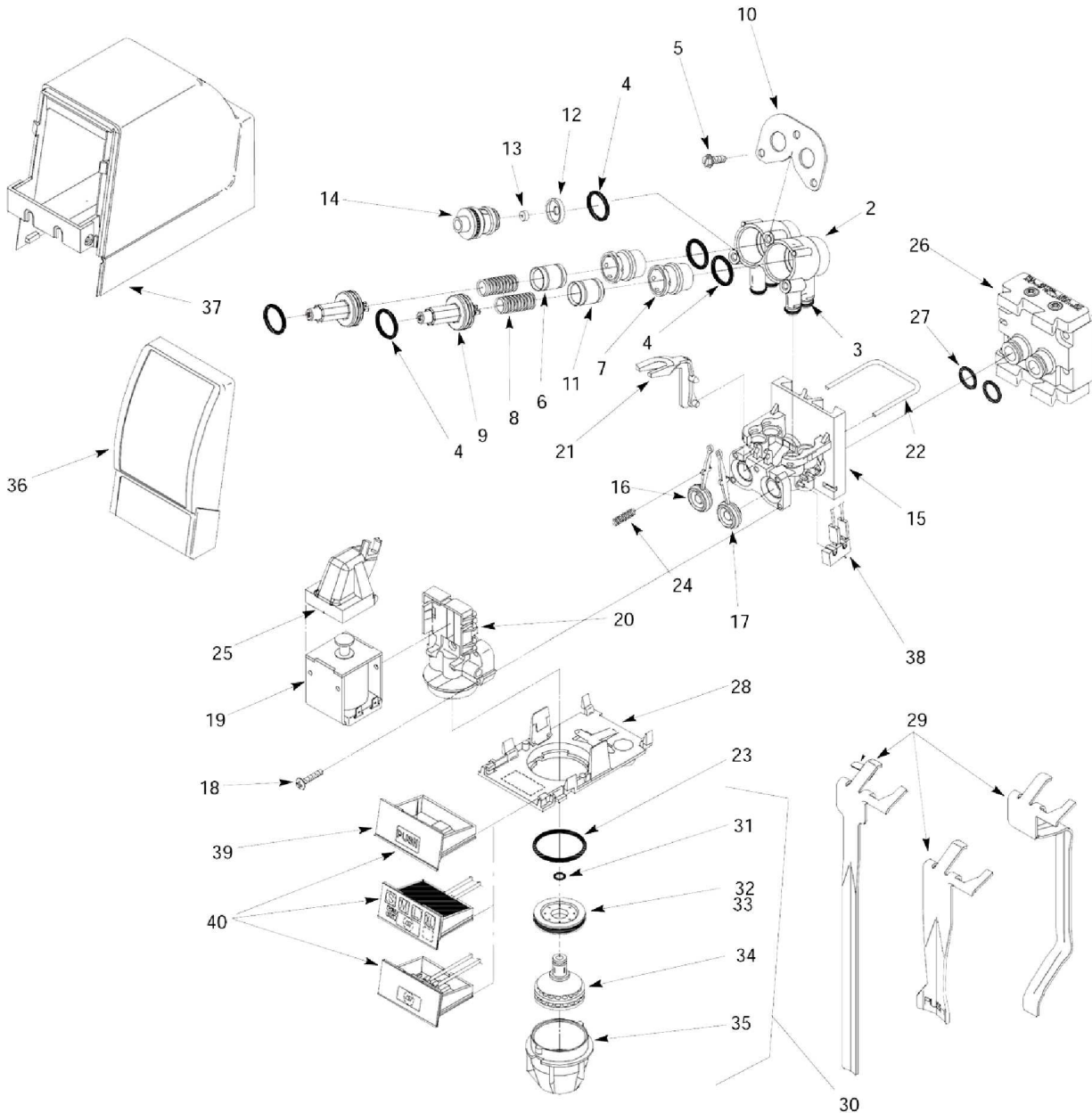
VALVE BRIXING ACCESSORIES



PART NUMBER	PRODUCT DESCRIPTION	PACK QTY	U/M	LIST PRICE
#1	REFRACTOMETER RANGE 0-32	1	EA	\$255.56
16-1054	QUALITY ASSURANCE KIT (PEPSI)	1	EA	\$54.45
99-9012	BRIX CUP 5:1 TO 5.5:1	1	EA	\$10.00
99-9450	BRIX CUP 4.5:1 TO 5.5:1	1	EA	\$10.56
319540	CORNELIUS SF-1 SYRUP SEPARATOR	1	EA	\$7.89
1090	SYRUP SEPARATOR 404-ROUND	1	EA	\$6.45
10-0099	MCCANN TOM SYRUP SEPARATOR	1	EA	\$10.67
15-1412	BRIX SEPARATOR FOR TURBO VALVE	1	EA	\$19.23
10-0079	DUAL VALVE SYRUP SEPARATOR	1	EA	\$11.78
15-0454	MCCANN BAR GUN SYRUP SEPARATOR	1	EA	\$22.34
54-0031	LANCER SYRUP SEPARATOR	1	EA	\$21.00
10-1062	MCCANN SYRUP SEPARATOR	1	EA	\$10.34
256	SPOUT CLEANING BRUSH	1	EA	\$1.89
TH100	DIAL THERMOMETER	1	EA	\$9.45
PC SCRWDRIIVE	PEPSI COLA SLOTTED SCREWDRIVER	1	EA	\$2.23
0288	VALVE SCREWDRIVER W/LOGO	1	EA	\$5.89
35661-11	TDS METER, WATERPROOF, RANGE 0 TO 1990 PPM, 1 POINT PUSH-BUTTON CALIBRATION	1	EA	
54-0007	CARBONATION CUP TESTER	1	EA	
82-2441	QUALITY CONTROL ATTACHE CASE	1	EA	

UF-1 AND UF-B POST-MIX DISPENSING VALVE

UF-1 AND UFB-1 POST-MIX DISPENSING VALVE



ITEM NUMBER	PART NUMBER	PRODUCT DESCRIPTION	PACK QTY	U/M
1	1954	FLOW CONTROL ASY 1.5-3 OZ/SEC (INCLUDES 2-11)	1	EA

**CAN'T FIND SOMETHING?
JUST GIVE US A CALL!
(800)-777-0554**



Phone: 1-800-777-0554
 Fax: 1-800-311-1576
 E-Mail: sales@buybdsparts.com

ITEM NUMBER	PART NUMBER	PRODUCT DESCRIPTION	PACK QTY	U/M
1	560006408	FLOW CONTROL ASY 2-4 OZ/SEC (INCLUDES 2-11)	1	EA
1	1957	FLOW CONTROL ASY WASHER 1.5-3 OZ/SEC (Includes 2-14)	1	EA
1	560001800	BASE ASY 1.5-3 OZ/SEC. (INCLUDES 2-25)	1	EA
1	560001801	BASE ASY 3-4.5 OZ/SEC (INCLUDES 2-25)	1	EA
1	560001802	BASE ASY OPTIFILL 1.5-3 OZ/SEC (INCLUDES 2-25)	1	EA
1	560001803	BASE ASY OPTIFILL 3-4.5 OZ/SEC (INCLUDES 2-25)	1	EA
1	560001804	BASE ASY WASHER 3-4.5 OZ/SEC (INCLUDES 2-25)	1	EA
1	560002569	BASE ASY JUICE 1.5-3 OZ/SEC (INCLUDES 2-25)	1	EA
1	560006875	BASE ASY 2-4 OZ/SEC. (INCLUDES 2-25)	1	EA
1	560006876	BASE ASY OPTIFILL 2-4 OZ/SEC (INCLUDES 2-25)	1	EA
2	1907	BODY FLOW CONTROL 2-4 OZ/SEC	1	EA
2	560006177	BODY FLOW CONTROL 1.5-3 OZ/SEC	1	EA
3	4073	O-RING .239 ID	1	EA
4	317816000	O-RING .676 ID	1	EA
5	560001108	SCREW TT 8-16 OVPH 26	1	EA
6	310754011	PISTON WATER REG. 1.5-3OZ/SEC	1	EA
6	560006006	PISTON WATER REG. 2-4OZ/SEC	1	EA
7	1934	CYLINDER FLOW CONTROL	1	EA
7	4386	CYLINDER JUICE FLOW CONTROL	1	EA
8	1940	SPRING FLOW CONTROL 1.5-3OZ/SEC	1	EA
8	560006176	SPRING FLOW CONTROL 2-4OZ/SEC	1	EA
9	560007207	SCREW ADJUSTMENT ASSEMBLY	1	EA
10	1929	RETAINER BODY FLOW CONTROL	1	EA
11	310480011	PISTON SYRUP REGULATOR 1.5-3OZ/SEC	1	EA
11	560006005	PISTON SYRUP REGULATOR 2-4OZ/SEC	1	EA
12	319546011	CAP HOUSING FLOW WASHER	1	EA
13	311194000	FLOW WASHER 1.5OZ/SEC	1	EA
14	1949	HOUSING FLOW WASHER BODY VALVE	1	EA
15	1900	BODY VALVE	1	EA
16	560003995	VALVE BANJO WATER SIDE SANTOPRENE	1	EA
17	1947	VALVE BANJO SYRUP SIDE	1	EA
18	2318	SCREW	1	EA
19	1918	SOLENOID PULL AC	1	EA
19	2168	PLUNGER SOLENOID AC	1	EA
20	1901	HEAD VALVE	1	EA
20	1902	HEAD VALVE OPTI-FILL	1	EA
21	1911	ACTUATOR ARM	1	EA
22	1930	RETAINER BODY FLOW CONTROL	1	EA
23	183184000	O-RING 1.174 ID	1	EA
24	1931	SPRING RETURN VALVE	1	EA
25	560003083	COVER SOLENOID	1	EA
26	1919	BLOCK MATING ASSEMBLY	1	EA
27	312414000	O-RING .426 ID	1	EA
28	1903	PLATE BOTTOM	1	EA
29	4965	LEVER VALVE	1	EA
29	560003252	LEVER VALVE OPTI-FILL	1	EA
29	560003193	LEVER VALVE SELF-SERVE	1	EA
30	1922	NOZZLE ASSEMBLY BLACK INCLUDES (31-35)	1	EA
30	561000145	NOZZLE ASSEMBLY GREEN INCLUDES (31-35)	1	EA
30	561000154	NOZZLE ASSEMBLY RED INCLUDES (31-35)	1	EA
30	560001734	NOZZLE ASSEMBLY JUICE INCLUDES (31-35)	1	EA
31	4073	O-RING .239 ID	1	EA
32	1913	DIFFUSER	1	EA
33	311086000	O-RING .926 ID	1	EA

CAN'T FIND SOMETHING?
 JUST GIVE US A CALL



Phone: 1-800-777-0554
Fax: 1-800-311-1576
E-Mail: sales@buybdsparts.com

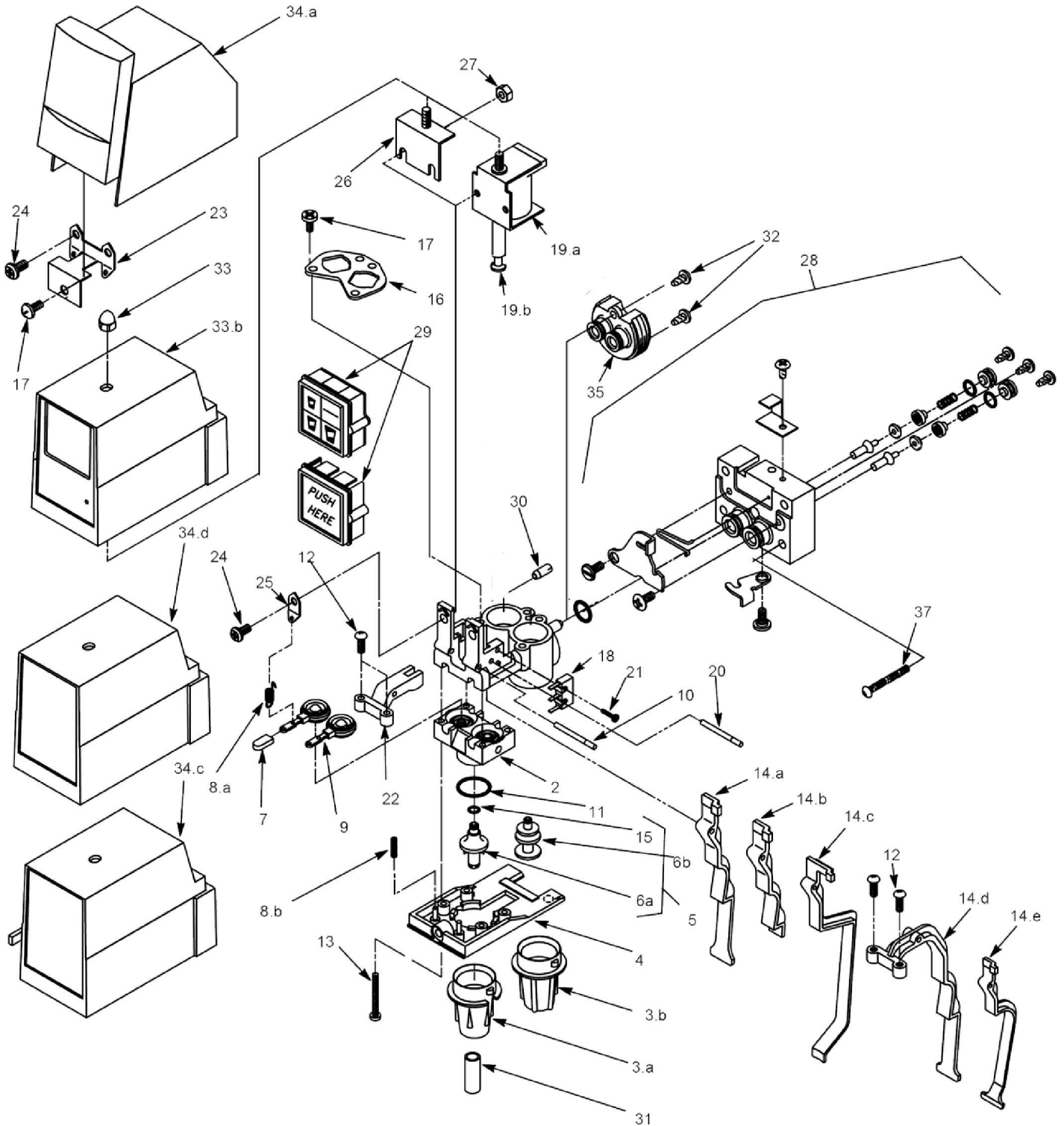
DISPENSING VALVES

UF-1 AND UF-B POST-MIX DISPENSING VALVE

ITEM NUMBER	PART NUMBER	PRODUCT DESCRIPTION	PACK QTY	U/M
34	1917	BAFFLE INNER ASSEMBLY BLACK	1	EA
34	560005352	BAFFLE INNER ASSEMBLY GREEN	1	EA
34	560006167	BAFFLE INNER ASSEMBLY RED	1	EA
34	560001733	BAFFLE INNER ASSEMBLY JUICE	1	EA
35	1945	NOZZLE BLACK	1	EA
35	560005511	NOZZLE GREEN	1	EA
35	560006166	NOZZLE RED	1	EA
36	1956	COVER VALVE FRONT	1	EA
36	1951	COVER VALVE FRONT WITH CUT-OUT	1	EA
37	1950	COVER VALVE BACK	1	EA
38	4263	SWITCH AND LEAD ASSEMBLY	1	EA
38	560002596	SWITCH MICRO-B	1	EA
38	1923	SWITCH AND HARN SELF SERVE	1	EA
38	1927	HOUSING	1	EA
39	1943	OVERLAY SWT. PUSH	1	EA
40	2325	MODULE ASSEMBLY SELF-SERVE	1	EA
40	3518	PORTION CONTROL MODULE	1	EA
40	4319	MODULE ASSEMBLY OPTI-FILL	1	EA

SF-1 POST-MIX DISPENSING VALVE

SF-1 POST-MIX DISPENSING VALVE



ITEM NUMBER	PART NUMBER	PRODUCT DESCRIPTION	PACK QTY	U/M
1	3073	BODY RETRO-NO LATCH NO PIN	1	EA

**CAN'T FIND SOMETHING?
JUST GIVE US A CALL!
(800)-777-0554**



Phone: 1-800-777-0554
 Fax: 1-800-311-1576
 E-Mail: sales@buybdsparts.com

ITEM NUMBER	PART NUMBER	PRODUCT DESCRIPTION	PACK QTY	U/M
1	414	BODY SABRE LATCH AND PIN	1	EA
1	3076	BODY NO LATCH PIN ONLY	1	EA
1	3074	BODY LATCH AND PIN	1	EA
2	317639051	BLOCK VALVE NON-CARB	1	EA
2	309997000	BLOCK VALVE SABRE	1	EA
3a	317649000	STANDARD NOZZLE	1	EA
3b	309994013	SABRE NOZZLE	1	EA
4	317718000	STANDARD SUPPORT COVER	1	EA
4	2456	TEA SUPPORT COVER	1	EA
4	309162000	SABRE SUPPORT COVER	1	EA
5	318523088	BAFFLE AND O-RING	1	EA
6a	318523027	STANDARD BAFFLE	1	EA
6a	318754011	HI-FLOW AND DIET BAFFLE	1	EA
6a	319330000	NON-CARB BAFFLE	1	EA
6b	309951000	SABRE BAFFLE	1	EA
7	317782000	NIB, LONG, WATER	1	EA
8a	317723000	EXTENSION SPRING	1	EA
8b	3705	COMPRESSION SPRING	1	EA
9	311355000	VALVE INLET	1	EA
10	319693000	GROOVE PIN	1	EA
11	398033013	O-RING .799 ID BY .070 CS	1	EA
12	314813009	SET SCREW 8-32 BY 1/2	1	EA
13	317828000	THREAD ROLLING SCREW	1	EA
14a	317721000	ELECTRIC LEVER	1	EA
14b	318675000	ELECTRIC CUT-OFF LEVER	1	EA
14c	3282	SELF-SERVE LEVER	1	EA
14d	317646007	MANUAL LEVER	1	EA
14e	309960013	SABRE LEVER	1	EA
14e	2457	TEA LEVER	1	EA
14e	309859000	CONTINUITY LEVER	1	EA
14e	1809	CONTINUITY STRIP	1	EA
15	319541000	O-RING .57ID BY .07 CS	1	EA
16	4147	RETAINER FOR FLOW CONTROL BODY	1	EA
17	317784000	THREAD CUTTING SCREW	1	EA
18	317783000	3-PIN ELECTRIC MICRO SWITCH	1	EA
18	317783011	ACCUFILL CONTINUITY MICRO SWITCH	1	EA
18	560000795	2-PIN ELECTRIC MICRO SWITCH	1	EA
19a	312017000	24V SOLENOID	1	EA
19a	312017011	24V SOLENOID WITH STUD	1	EA
19b	318589000	SOLENOID PLUNGER	1	EA
20	317820000	ELECTRIC PIN LEVER	1	EA
21	1618	CONTINUITY PIN LEVER	1	EA
21	317825000	MACHINE SCREW	1	EA
22	317825001	THREAD FORMING SCREW	1	EA
22	317703007	ELECTRIC SOLENOID ARM	1	EA
23	309157000	SABRE BRACKET COVER	1	EA
24	3337	TEA BRACKET COVER	1	EA
24	309029000	MACHINE SCREW	1	EA
25	319692000	SPRING RETAINER	1	EA
26	309843000	MANUAL BRACKET COVER	1	EA
27	398024400	SS HEX NUT	1	EA
28	318838015	STANDARD BLOCK ASSEMBLY	1	EA
29	31966015	RETROFIT BLOCK ASSEMBLY	1	EA
29	309950015	SABRE BLOCK ASSEMBLY	1	EA

CAN'T FIND SOMETHING?
 JUST GIVE US A CALL



Phone: 1-800-777-0554
Fax: 1-800-311-1576
E-Mail: sales@buybdsparts.com

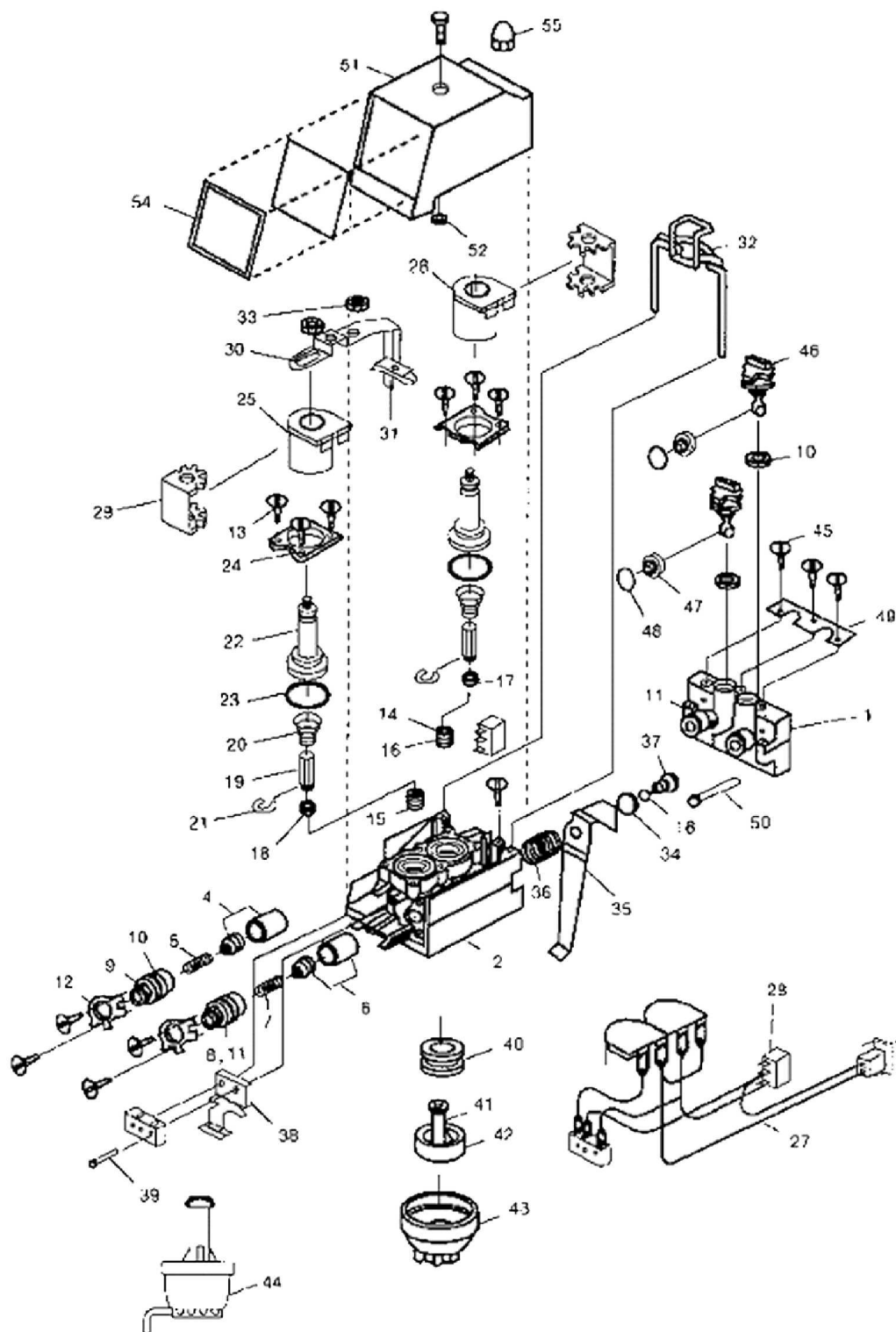
DISPENSING VALVES

SF-1 POST-MIX DISPENSING VALVE

ITEM NUMBER	PART NUMBER	PRODUCT DESCRIPTION	PACK QTY	U/M
29	317891015	PORTION CONTROL ASSEMBLY	1	EA
30	380046000	SPAIN RESTRICTOR	1	EA
31	300097000	BAFFLE EXTENSION	1	EA
32	317895000	THREAD CUTTING SCREW	1	EA
33	309842000	ACORN NUT	1	EA
34a	309158000	SABRE COVER	1	EA
34b	317884012	PORTION CONTROL COVER W/O LEVER	1	EA
34c	317879014	ELECTRIC AND MANUAL COVER WITH LEVER	1	EA
34c	317879015	PORTION CONTROL COVER WITH LEVER	1	EA
34d	317884011	ELECTRIC AND MANUAL COVER W/O LEVER	1	EA
34e	317879015	PORTION CONTROL COVER WITH LEVER	1	EA
35	317645051	THREADED BLOCK	1	EA
36	317821000	WIRE HARNESS	1	EA
37	318308000	THREAD ROLLING SCREW	1	EA

DOLE FFV POST-MIX VALVE

DOLE FFV POST-MIX DISPENSING VALVE



ITEM NUMBER	PART NUMBER	PRODUCT DESCRIPTION	PACK QTY	U/M
1	48280	DOLE FFV MOUNTING BLOCK ASSEMBLY	1	EA

**CAN'T FIND SOMETHING?
JUST GIVE US A CALL!**
(800)-777-0554



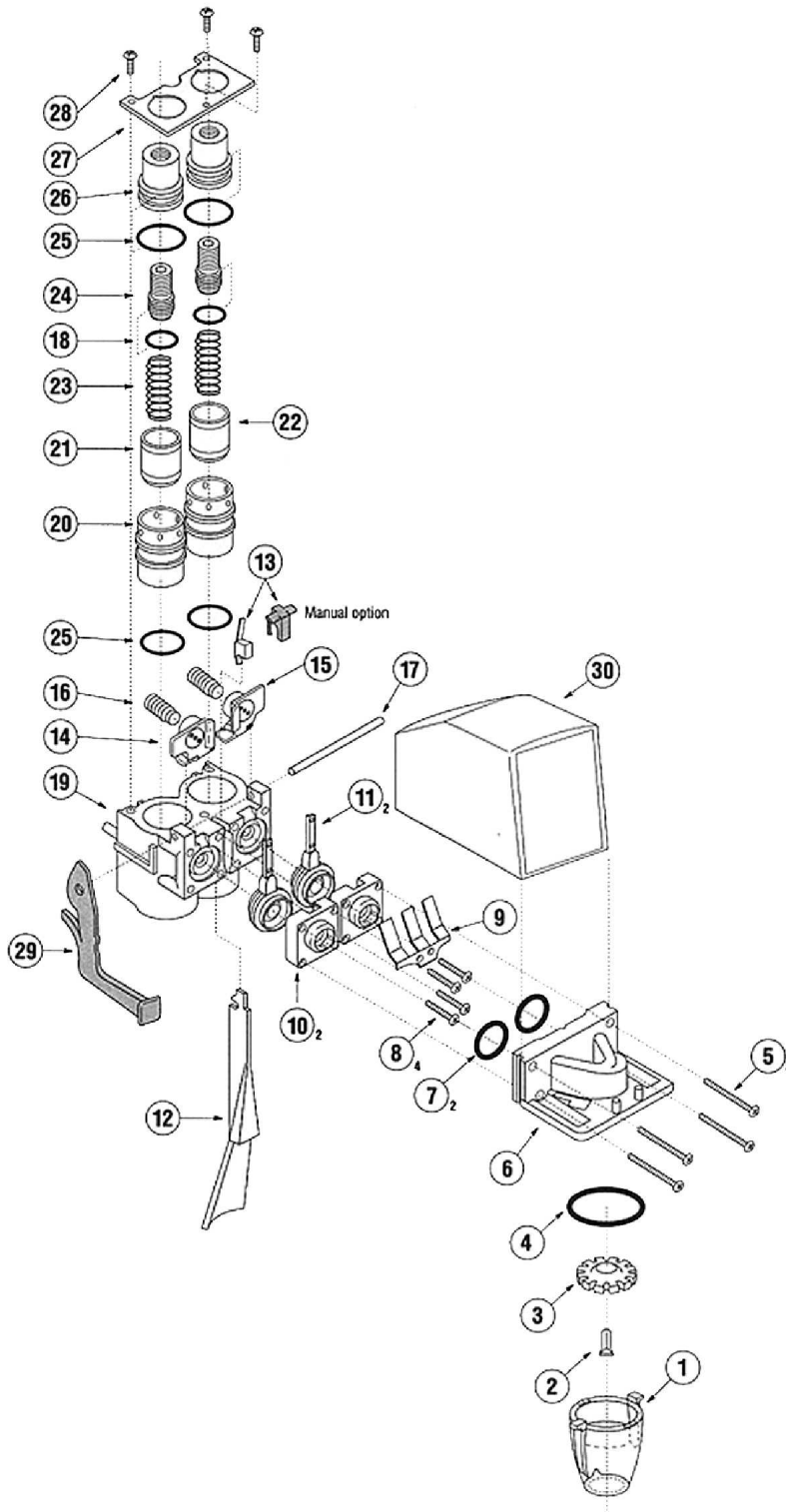
DISPENSING VALVES

DOLE FFV POST-MIX VALVE

ITEM NUMBER	PART NUMBER	PRODUCT DESCRIPTION	PACK QTY	U/M
1	48269	DOLE FFV MOUNTING BLOCK ASSEMBLY	1	EA
2	48269	FFV BODY	1	EA
3	48274	MOUNTING BLOCK	1	EA
4	85033-001	FLOW CONTROL FFV/WATER CERAMIC	1	EA
5	48258-004	SPRING WATER	1	EA
6	48980-005	SYRUP FLOW CONTROL	1	EA
7	48258-003	SPRING-SYRUP	1	EA
9	48256	BONNET	1	EA
10	2-112-70	O-RING	1	C
11	2-110-70	O-RING	1	EA
12	48257-1	FLOW CONTROL RETAINER PLATE	1	EA
13	49478-1	SOLENOID PLATE SCREW	10	EA
14	49612	WATER PORT	10	EA
15	49613	PORT-SYRUP	10	EA
16	2-008-70	O-RING	1	EA
17	18071	DOLE WATER SEAT	10	EA
18	39816-1	SEAT, ARMATURE, SYRUP	10	EA
20	18367	DOLE ARMATURE SPRING	10	EA
21	15321	RETAINING RING, SYRUP ARMATURE	50	EA
22	19695	DOLE GUIDE ASSEMBLY, PLUNGER HSG	10	EA
23	18070	DOLE GUIDE ASSEMBLY GASKET	25	EA
24	48268	GUIDE PLATE	1	EA
25	12931-22	SOLENOID, PINK	10	EA
29	18054	SNAP ACTION SWITCH	10	EA
31	18561	SPEED NUT	1	EA
32	49564	RETAINER WELDED ASSEMBLY	1	EA
33	321811	NUT FOR MOUNTING BRACKET	1	EA
34	23750	SS VALVE WASHER	1	EA
35	48264	LEVER	1	EA
36	23746	SPRING	1	EA
38	48270	FAST-FLOW BUTTON	1	EA
40	28262	DOLE FF DIFFUSER	1	EA
41	2-009-70	O-RING	1	EA
42	28259	DOLE FF SYRUP TUBE	1	EA
43	48265-3	FF NOZZLE, SABRE, GRAY	10	EA
44	49796	DOLE FFV SYRUP SEPARATOR	1	EA
48	27808-1	MOUNTING BLOCK O-RING	1	EA
52	22266	TOP COVER WASHER	1	EA
53	24890	COVER SCREW	1	EA
54	39511	LENS COVER	1	EA
55	309842	DOLE ACORN NUT	1	EA
COMPLETE VALVES	48288-5	DOLE FFV W/O CVR AND MTG BLOCK	1	EA
COMPLETE VALVES	83377-1	SABRE FFV WITH LEV-CVR-MTG BLOCK	1	EA
	68200-21	PORTION CONTROL FF	1	EA

FLOMATIC 424 POST-MIX VALVE

FLOMATIC 424 POST-MIX DISPENSING VALVE



ITEM NUMBER	PART NUMBER	PRODUCT DESCRIPTION	PACK QTY	U/M
1	501-14	NOZZLE-CLEAR TWIST-OFF	1	EA

**CAN'T FIND SOMETHING?
JUST GIVE US A CALL!**
(800)-777-0554



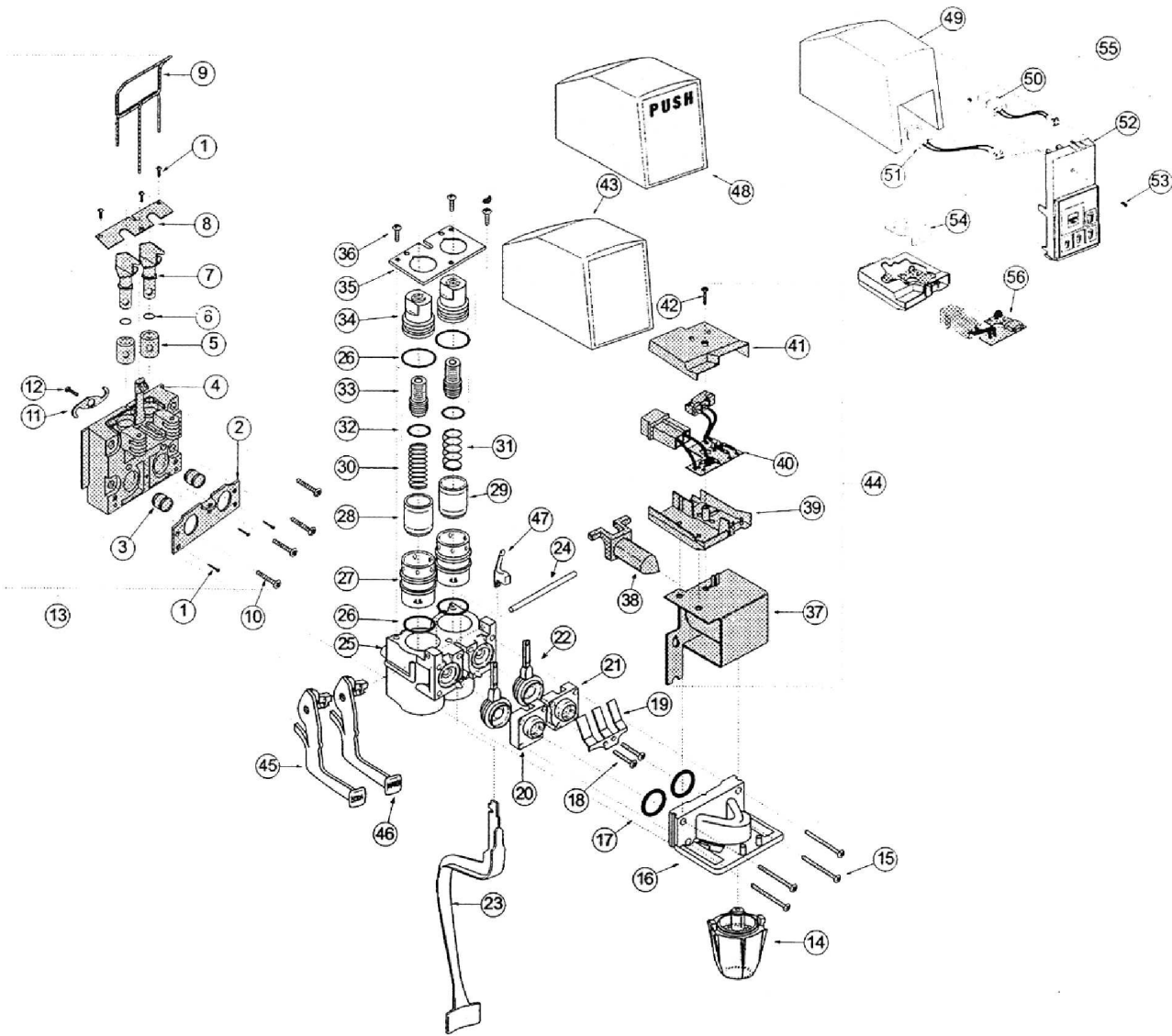
DISPENSING VALVES

FLOMATIC 424 POST-MIX VALVE

ITEM NUMBER	PART NUMBER	PRODUCT DESCRIPTION	PACK QTY	U/M
1	501-15	NOZZLE-BLACK, TWIST-OFF	1	EA
2	502	DIFFUSER SYRUP	1	EA
3	504-00-B	DIFFUSER SODA	1	EA
4	500	O-RING	1	EA
5	505	SCREW	1	EA
6	507-16-B	DIFFUSER BLOCK-BLACK	1	EA
7	509	O-RING DIFFUSER BLOCK	1	EA
8	510	SCREW	1	EA
9	511	SPRING-PALLET RETAINER	1	EA
10	512-B	ORIFICE CAP BLACK	1	EA
11	515	PALLET	1	EA
12	516-01	LEVER-BLACK	1	EA
13	517-00	RETAINER-MANUAL VALVE (OPTIONAL)	1	EA
13	517-01	RETAINER-ELECTRIC VALVE	1	EA
14	521-00	ACTUATOR-LEFT	1	EA
14	521-01	ACTUATOR-LEFT WITH 523	1	EA
15	522-00	ACTUATOR-RIGHT	1	EA
15	522-01	ACTUATOR-RIGHT WITH 523	1	EA
16	523	SCREW-ACTUATOR ADJUSTMENT	1	EA
17	524-02	PIN-ACTUATOR PIVOT (LONG)	1	EA
18	551	O-RING BRIX ADJUSTMENT SCREW	1	EA
19	600-00-B	FLOW CONTROL BASE	1	EA
20	602-02	CYLINDER-CERAMIC	1	EA
21	604-02	PISTON-SODA CERAMIC	1	EA
22	603-02	PISTON-SYRUP CERAMIC	1	EA
23	605-01	SPRING-BRIX ADJUSTMENT	1	EA
24	607	SCREW-BRIX ADJUSTMENT	1	EA
25	608	O-RING CYLINDER/NUT SEAL	1	EA
26	609	NUT-BRIX ADJUSTMENT	1	EA
27	610-01	RETAINER-PLATE CONTROL ASSEMBLY	1	EA
28	611	SCREW	1	EA
30	1521	COVER-BLACK SF-1 GRAPHIC	1	EA
29	1027	ADD-A-LEVER-SODA ONLY	1	EA
VALVE ASSEMBLY	424-CF-1521	MANUAL VALVE	1	EA
VALVE ASSEMBLY	424-CF-E10-1521	ELECTRIC VALVE	1	EA
VALVE ASSEMBLY	424-CF-S10-1524	SELF SERVICE VALVE	1	EA
VALVE ASSEMBLY	424-CF-E32-1500	PORTION CONTROL VALVE	1	EA

FLOMATIC 464 POST-MIX VALVE

FLOMATIC 464 POST-MIX DISPENSING VALVE



ITEM NUMBER	PART NUMBER	PRODUCT DESCRIPTION	PACK QTY	U/M
1	553-00	SCREW	1	EA

**CAN'T FIND SOMETHING?
JUST GIVE US A CALL!
(800)-777-0554**



Phone: 1-800-777-0554
 Fax: 1-800-311-1576
 E-Mail: sales@buybdsparts.com

ITEM NUMBER	PART NUMBER	PRODUCT DESCRIPTION	PACK QTY	U/M
1	555-00	SCREW	1	EA
2	568	RETAINER-STEM SEAL	1	EA
3	528	QUAD SEAL-STEM	1	EA
4	562-72	MATING BLOCK BLANK .372 INLET	1	EA
4	562-80	MATING BLOCK BLANK .380 INLET	1	EA
5	527	BOOT SEAL-SHUT-OFF	1	EA
6	543	O-RING	1	EA
7	526	PLUG- SHUT-OFF	1	EA
8	567	RETAINER-SHUT-OFF PLUG	1	EA
9	538-04	LATCH PIN-THREE POINT	1	EA
10	563-03	MOUNTING BOLT	1	EA
11	564	S-CLIP	1	EA
12	565	SCREW	1	EA
13	372-Q	COMPLETE ASSEMBLY .372 INLET	1	EA
13	380-Q	COMPLETE ASSEMBLY .382 INLET	1	EA
14	501-65	NOZZLE ASSEMBLY BLACK	1	EA
15	505	SCREW	1	EA
16	507-36-B	DIFFUSER BLOCK	1	EA
17	509	O-RING	1	EA
18	510	SCREW	1	EA
19	511	SPRING PALLET RETAINER	1	EA
20	512-02-B	ORIFICE CAP-LEFT	1	EA
21	513-02-B	ORIFICE CAP-RIGHT	1	EA
22	515-02	PALLET	1	EA
23	516-09	LEVER MOLDED SANITARY	1	EA
24	524-02	PIVOT PIN	1	EA
25	600-46	FLOW CONTROL BASE	1	EA
26	608	O-RING	1	EA
27	602-03	CYLINDER-CERAMIC	1	EA
28	604-03	PISTON-SODA	1	EA
29	603-03	PISTIN-SYRUP	1	EA
30	605-02	SPRING-BRIX ADJUSTMENT SODA	1	EA
31	605-01	SPRING BRIX ADJUSTMENT SYRUP	1	EA
32	551	O-RING	1	EA
33	607	SCREW	1	EA
34	609	NUT-BRIX ADJUSTMENT	1	EA
34	642-00	BRIX ADJUSTMENT ASSEMBLY COMPLETE	1	EA
35	610-04	RETAINER PLATE	1	EA
36	611-01	SCREW	1	EA
37	9770-A	SOLENOID COIL (ONLY)	1	EA
38	763-01	PLUNGER-YOKED SINGLE COIL	1	EA
39	765-01	BASE-CONVERTIBLE SWITCH HSG	1	EA
40	769-U25	PRINTED CIRCUIT BOARD -SWITCH ASSEMBLY	1	EA
41	766-01	COVER-CONVERTIBLE SWITCH HSG	1	EA
42	2611	SCREW	1	EA
43	1521	COVER-BLACK SF-1 GRAPHIC	1	EA
44	770-E35	SOLENOID ASSEMBLY COMPLETE	1	EA
45	1028-S	ADD-A-LEVER SODA	1	EA
46	1028-W	ADD-A-LEVER WATER	1	EA
47	517-04	ELECTRIC RETAINER LEVER	1	EA
48	1525	COVER SELF SERVICE	1	EA
49	1500	COVER PORTION CONTROL	1	EA
50	817-02	PLUG ASSEMBLY-2PIN/2WIRE	1	EA
51	817-03	PLUG ASSEMBLY-3PIN/2WIRE	1	EA
52	832-01	PORTION CONTROL MODULE 4-CUP	1	EA



Phone: 1-800-777-0554
Fax: 1-800-311-1576
E-Mail: sales@buybdsparts.com

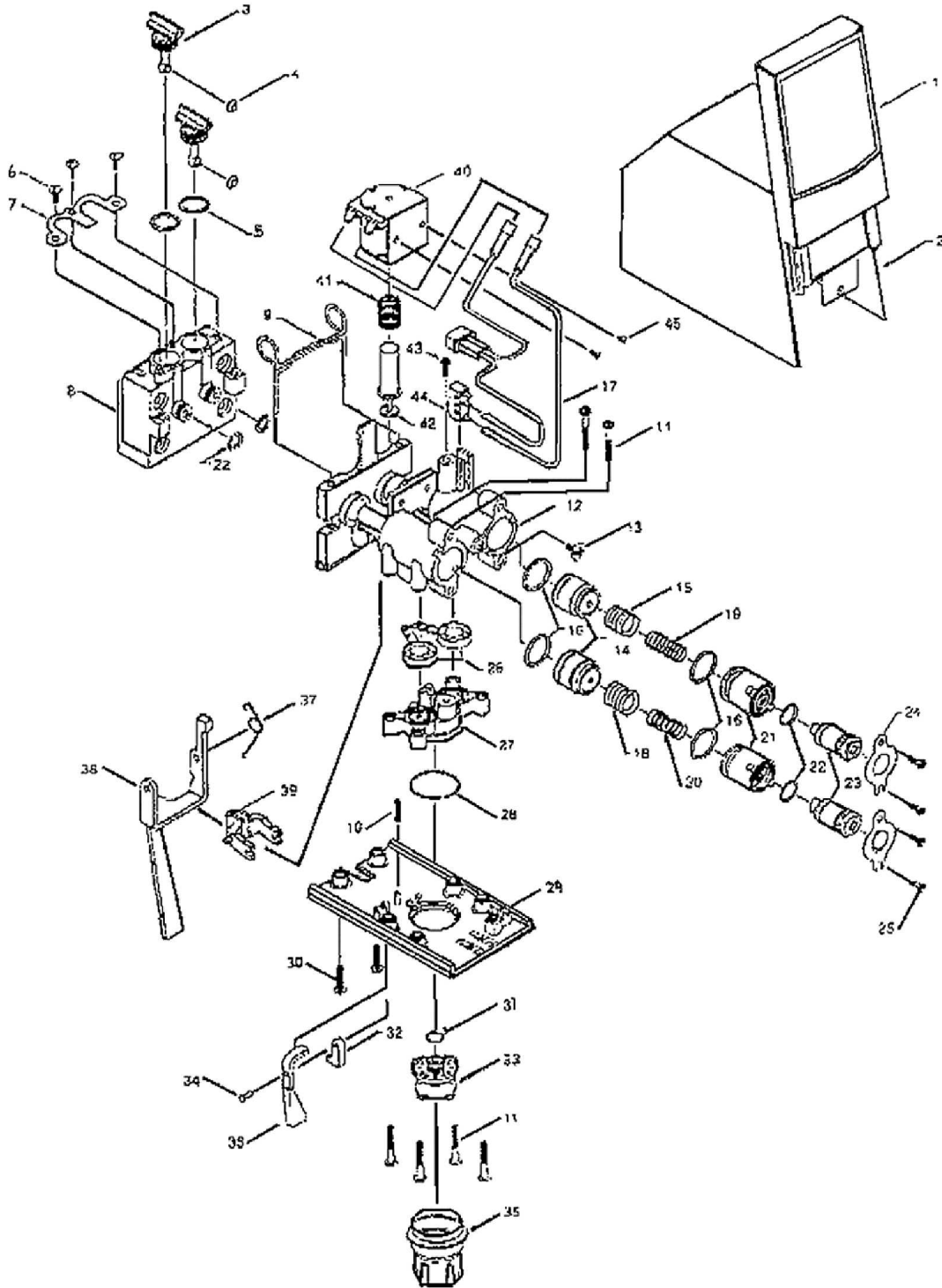
DISPENSING VALVES

FLOMATIC 464 POST-MIX VALVE

ITEM NUMBER	PART NUMBER	PRODUCT DESCRIPTION	PACK QTY	U/M
53	805	SCREW	1	EA
54	802-01	PORTION CONTROL BRACKET	1	EA
55	P35-1500	SOLENOID COMPLETE	1	EA
56	769-P25	PRINTED CIRCUIT BOARD-PC SHUNT	1	EA
VALVE ASSEMBLY	464-HF-E35-1521	VALVE-ELECTRIC LEVER	1	EA
VALVE ASSEMBLY	464-HF-S35-1525	VALVE- SELF SERVICE	1	EA
VALVE ASSEMBLY	464-HF-P35-1500	VALVE- PORTION CONTROL	1	EA

LANCER POST-MIX VALVE

LANCER POST-MIX DISPENSING VALVE



ITEM NUMBER	PART NUMBER	PRODUCT DESCRIPTION	PACK QTY	U/M
1	05-0287	LANCER LEV. ID. PANEL	1	EA

**CAN'T FIND SOMETHING?
JUST GIVE US A CALL!
(800)-777-0554**



DISPENSING VALVES

LANCER POST-MIX VALVE

ITEM NUMBER	PART NUMBER	PRODUCT DESCRIPTION	PACK QTY	U/M
1	05-0267	LANCER LEV IDY PANEL	1	EA
3	05-0266	VALVE STEM	1	EA
4	05-0267	WASHER, VALVE STEM	1	EA
5	2-110-70	O-RING	1	EA
6	04-0269	SCREW, RETAINER	1	EA
8	82-0274	LANCER MOUNTING BLOCK ASSEMBLY	1	EA
10	03-0143	SPRING, PIN	1	EA
11	04-0270	SCREW, UPPER BODY ASSEMBLY	1	EA
12	54-0067	LANCER UPPER BODY ASSEMBLY	1	EA
13	04-0302	SCREW, COVER	1	EA
14	81-0274	LANCER CERAMIC SLEEVE	1	EA
15	81-0273	LANCER CERAMIC SYRUP SPOOL	1	EA
16	2-113-70	O-RING	1	EA
18	81-0275	LANCER CERAMIC SODA SPOOL	1	EA
19	03-0169	LANCER CERAMIC SYRUP SPRING	1	EA
20	03-0171	LANCER CERAMIC SODA SPRING	1	EA
22	2-109-70	O-RING	1	EA
23	82-1025	LEV SYRUP FLOW CONTROL ASSEMBLY	1	EA
23a	82-1055	LEV SODA FLOW CONTROL ASSEMBLY	1	EA
25	04-0267	SCREW, RETAINER FLOW CONTROL	1	EA
26	82-0190	LEV PADDLE ARM ASSEMBLY	1	EA
27	54-0046	BODY, LOWER ASSEMBLY	1	EA
27	82-0774	LANCER BODY ASSEMBLY	1	EA
28	2-022-70	O-RING	1	EA
29	05-0232	LANCER LEV BOTTOM PLATE	1	EA
30	04-0310	SCREW BOTTOM PLATE	1	EA
31	2-009-80	O-RING	1	EA
32	05-0281	BOTTOM PLATE PLUG	1	EA
33	54-0028	LANCER LEV DIFFUSER	1	EA
35	05-0233	LANCER LEV NOZZLE	1	EA
36	05-0274	LEVER, SODA/ELECTRIC	1	EA
38	05-0231	LEVER, ELECTRIC	1	EA
39	05-0238	ELECTRIC YOKE LEV	1	EA
40	52-0288	LANCER COIL ASSEMBLY	1	EA
41	03-0125	SPRING, SOLENOID	1	EA
42	10-0117	LANCER ARMATURE	1	EA
44	26-0265	LANCER SWITCH (PUSH BUTTON)	1	EA
45	04-0486	SCREW COIL ASSEMBLY	1	EA