



an  company

Parts Book

January 2009



ANTHONY INTERNATIONAL

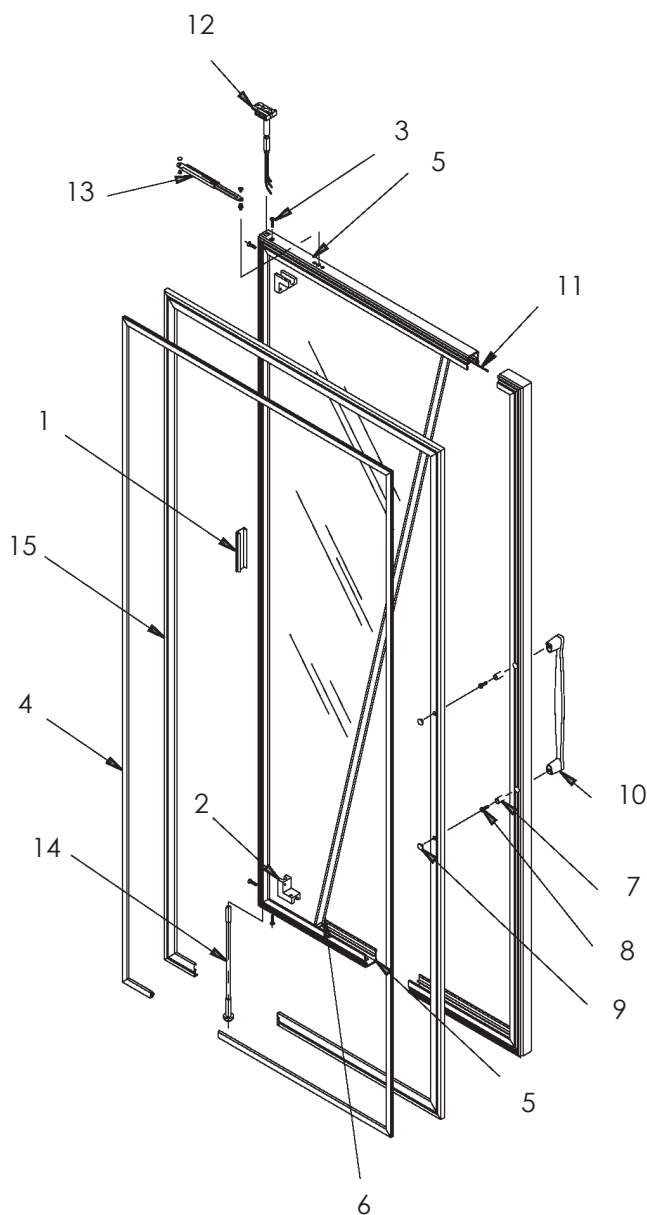
TABLE OF CONTENTS

SECTION A	MODELS 100, 101, 101EF, 103, 2100, 2103, AND 5001	
	DOOR PARTS	A-1
	FRAME PARTS	A-5
SECTION B	MODELS 400, 401, AND 403	
	DOOR PARTS	B-1
	FRAME PARTS	B-5
SECTION C	MODELS 1000, 1001, 1001EF, 1003, AND 1200	
	DOOR PARTS	C-1
	FRAME PARTS	C-5
SECTION D	MODELS 6001, 7000, AND 8001	D-1
SECTION E	MODELS 1600, 1700, 1720, 1725, AND 2000	E-1
SECTION F	MODELS 1100, AND 1500	F-1
SECTION G	STANDARD, VOLUMEMASTER, AND ACCESSORY SHELVING	G-1
SECTION H	GRAVITY FLOW SHELVING	H-1
SECTION J	LIGHTING	J-1
SECTION K	ELM	
	DOOR PARTS	K-1
	FRAME PARTS	K-5
	GUIDE FOR ORDERING ANTHONY REPLACEMENT DOORS	APPENDIX A
	GUIDE FOR ORDERING ANTHONY REPLACEMENT HEATERS	APPENDIX B
	GUIDE FOR ORDERING ANTHONY REPLACEMENT GASKETS	APPENDIX C
	EASY ORDER FORM	APPENDIX D

SECTION A

DOOR PARTS

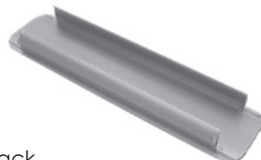
PROVIDE ANTHONY W/O #
(Located on the UL Label on top of the door)



- 1: Access Hole Cover
- 2: Corner Piece
- 3: Corner Piece Screw
- 4: Door Gasket
- 5: Door Rail
- 6: Glazing Channel
- 7: Handle Access Tube Insert
- 8: Handle Screw
- 9: Handle Screw Hole Plug
- 10: Handle
- 11: Heater Wire
- 12: Hinge Pin
- 13: Hold Open
- 14: Torque Rod
- 15: Door Vinyl Cover

A

ACCESS HOLE COVER
FOR MODELS 101-103



Black
Item No: 20-12294-0001
Price \$2.81 each
Gold
Item No: 20-12294-0002
Price \$2.81 each
Silver
Item No: 20-12294-0003
Price \$2.81 each

CORNER PIECE
WIDE OR NARROW



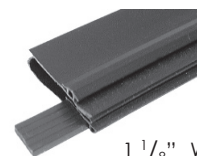
Item No: 11-11969-0001
Price \$5.11 each

DOOR GASKET
ANVIL
THROUGH JUNE 1998



Black
Item No: 02-14801-0000
Price \$9.92 per foot

DOOR GASKET
AIRCELL
JULY 1998 TO PRESENT



Gray
Item No: 20-15892-3513
Price \$11.51 per foot
Black
Item No: 02-14160-2000
Price \$11.51 per foot

CORNER PIECE SCREW



Silver
Item No: 40-12288-1008
Price \$2.45 each
Gold
Item No: 40-12288-2008
Price \$2.45 each
Black
Item No: 40-12288-3008
Price \$2.45 each

GLAZING CHANNEL 1"



Item No: 20-12344-1062
Price \$4.61 per foot

HANDLE SCREW



Item No: 40-10946-7008
Price \$2.50 each

HANDLE SCREW HOLE PLUG



Item No: 20-11511-0001
Price \$2.46 each

HANDLE - BAJA



Gold
Item No: 45-10364-0001
Price \$114.81 each
Silver
Item No: 45-10364-0002
Price \$114.81 each

HANDLE - BOLD



Gold
Item No: 45-13596-0001
Price \$114.81 each
Silver
Item No: 45-13596-0002
Price \$114.81 each

HANDLE - RENAISSANCE



Gold
Item No: 45-10362-0001
Price \$114.81 each
Silver
Item No: 45-10362-0002
Price \$114.81 each

HANDLE - VENETIAN TWIST



Gold
Item No: 45-10363-0001
Price \$114.81 each
Silver
Item No: 45-10363-0002
Price \$114.81 each

HANDLE - SLIMLINE



Chrome
Item No: 45-11876-0002
Price \$44.15 each
Gold
Item No: 45-11876-0003
Price \$89.37 each
Black
Item No: 45-11876-0004
Price \$86.57 each
Satin Silver
Item No: 45-11876-0005
Price \$86.57 each

HEATER PLUG
SJ CORD
THROUGH 1987



Item No: 60-12336-1001
Price \$70.84 each

DOOR HEATER WIRE
LT & NT
SPECIFY DOOR SIZE



Item No: 50-10632-0001
Price \$4.64 per foot

HINGE PIN ADAPTER
BEGINNING 1987



Item No: 20-11552-0001
Price \$3.06 each

HINGE PIN
WITH LEADS



Black
Item No: 60-10847-0004
Price \$47.87 each
Silver
Item No: 60-10847-0003
Price \$47.87 each

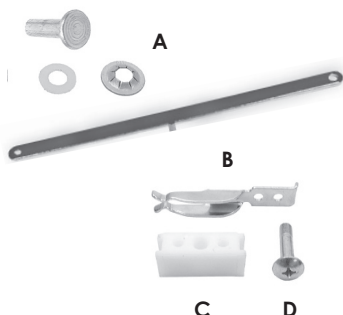
HINGE PIN
WITHOUT LEADS



Black
Item No: 60-10848-0002
Price \$47.87 each
Silver
Item No: 60-10848-0001
Price \$47.87 each

A

HOLD OPEN ARM AND HARDWARE
JANUARY 1987



DOOR STOP ASSEMBLY
THROUGH 1982

Arm Assembly
A Item No: 02-13594-0001
Price \$45.79 each
Hold Open Clip
B Item No: 15-13559-0001
Price \$20.80 each
Slide Block
C Item No: 20-11317-0001
Price \$14.66 each
Shoulder Screw
D Item No: 40-11073-1025
Price \$5.94 each

HOLD OPEN ARM AND HARDWARE
1987 TO 1995



Hold Open Assembly
Item No: 02-11807-0002
Price \$44.91 each

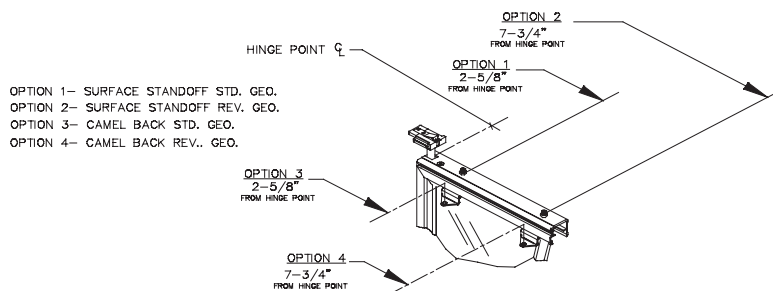
Hold Open Arm
(Camelback Hinge & Hardware)
Item No: 02-11807-0001
Price \$36.43 each
Screw
Item No: 40-10935-0001
Price \$2.24 each
Lock Nut
Item No: 40-10864-0001
Price \$2.20 each
Threaded Back
Item No: 40-10984-0001
Price \$2.64 each

HOLD OPEN ARM AND HARDWARE
1995 TO PRESENT



Hold Open Assembly
Item No: 02-14649-0001
Price \$44.91 each
Hold Open Arm
(Top Surface Mount)
Item No: 15-14707-0001
Price \$34.43 each

Detent Standoff on Frame
Item No: 40-15096-0001
Price \$3.89 each
210C Detent Standoff
Item No: 40-14613-0001
Price \$3.89 each
Pivot Standoff on Door
Item No: 40-14616-0001
Price \$4.56 each
Screw
Item No: 40-11248-3002
Price \$1.91 each
Spacer
Item No: 40-15097-0001
Price \$1.31 each



LOCK
FLUSH MOUNT



Lock and Keys
A Item No: 40-12013-0001
Price \$84.26 each
Keys Only
Item No: 40-12598-0001
Price \$10.83 each
Full Length Handle Key
B Item No: 40-12989-0001
Price \$20.36 each

POM LOCK
BEGINNING JANUARY 1987



POM Lock
Item No: 02-11585-0003
Price \$54.61 each

END DOOR LOCK
STRIKE PLATE



Silver
Item No: 10-16666-0001
Price \$2.04 each
Black
Item No: 10-16666-0002
Price \$2.38 each

PASS-THRU
BOTTOM FLAP
RUBBER
SPECIFY DOOR WIDTH



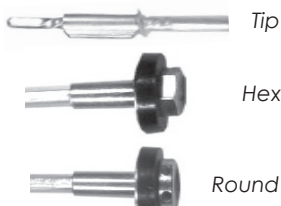
Item No: 20-11435-1071
Price \$18.35 per foot

PASS-THRU SCREW
PASS-THRU BOTTOM FLAP



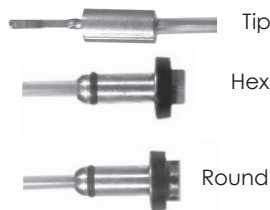
Item No: 40-11117-1011
Price \$.63 each

TORQUE ROD - 5/16"
PRIOR TO 1987



Hex Base
Item No: 02-11752-0005
Price \$84.57 each
Round Base
Item No: 02-11940-0005
Price \$84.57 each

TORQUE ROD - 7/16"
1987 - 1989



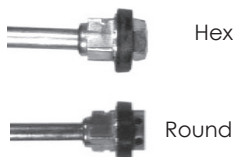
Hex Base
Item No: 02-11764-0005
Price \$36.56 each
Round Base
Item No: 02-11767-0005
Price \$36.56 each

TORQUE ROD
1987



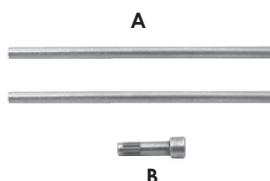
48"
Item No: 02-11763-0009
Price \$36.00 each

TORQUE ROD
BEGINNING 1989 TO PRESENT (HEX)



Hex Base 12"
Item No: 02-10308-0001
Price \$36.00 each
Hex Base 18"
Item No: 02-10308-0003
Price \$36.00 each
Hex Base 30"
Item No: 02-10308-0007
Price \$36.00 each
Round Base
Item No: 02-10308-0008
Price \$36.00 each

TORQUE ROD PINS



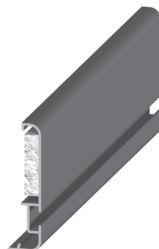
A Item No: 15-10321-0001
Price \$6.92 each
B Item No: 15-10320-0001
Price \$6.92 each

VINYL DOOR COVER
101B MODEL



Item No: 20-15013-1041
Price \$7.00 per foot

VINYL DOOR COVER
WIDE



Wide - 1 5/8"
Item No: 20-11401-1041
Price \$7.00 per foot

VINYL DOOR COVER
NARROW



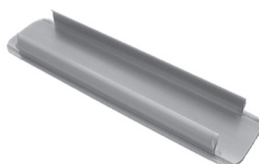
Narrow - 1 1/4"
Item No: 20-10665-1041
Price \$7.00 per foot

VINYL DOOR COVER
ENERGY EFFICIENT



Item No: 20-11956-0002
Price \$7.33 per foot

ACCESS HOLE COVER
MODEL 210C ONLY



Black
Item No: 20-11055-0001
Price \$2.81 each
Gray
Item No: 20-11055-0003
Price \$2.81 each

8" HANDLE
MODEL 210C ONLY

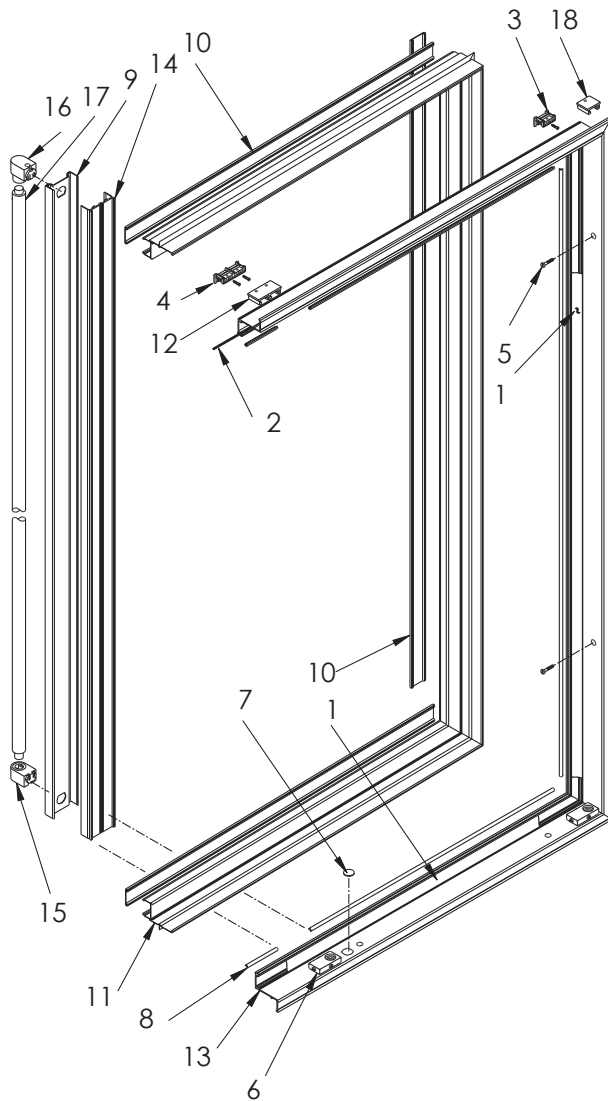


Black
Item No: 11-13155-0002
Price \$44.15 each
Gray
Item No: 11-13155-0003
Price \$44.15 each

SECTION A

FRAME PARTS

PROVIDE ANTHONY W/O #
(Located on the UL Label on top of the frame)

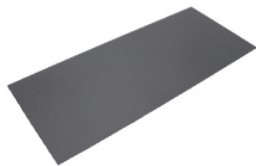


- 1: Contact Plate
- 2: Electrical Heater Wire
- 3: Electrical Hinge Pin Receptical (Single)
- 4: Electrical Hinge Pin Receptical (Double)
- 5: Frame Screw (Installation)
- 6: Torque Master
- 7: Torque Master Hole Plug
- 8: Vinyl Contact Plate Retainer
- 9: Vinyl Mullion Cover
- 10: Vinyl Raceway Cover
- 11: Vinyl Raceway Frame Cover
(Non-Replaceable)
- 12: Double Station GIB
(Non-Replaceable)
- 13: Frame Extrusion
(Non-Replaceable)
- 14: Frame Mullion
(Non-Replaceable)
- 15: Lamp Socket
(Bottom-Refer to Section J/Lighting)
- 16: Lamp Socket
(Top-Refer to Section J/Lighting)
- 17: Light Bulb
(Refer to Section J/Lighting)
- 18: Single Station GIB
(Non-Replaceable)

A

CONTACT PLATE

CENTER MULLION
2.515" WIDE



Silver
Item No: 15-12520-1016
Price \$22.96 per foot
Black
Item No: 15-12520-2016
Price \$22.96 per foot
Black PW
Item No: 15-12520-2034
Price \$23.68 per foot
Walnut
Item No: 15-12520-3016
Price \$22.96 per foot

CONTACT PLATE

1.50" WIDE
ENDS TOP OR BOTTOM ONLYS



Silver
Item No: 15-12520-1007
Price \$10.93 per foot
Black
Item No: 15-12520-2007
Price \$10.93 per foot
Walnut
Item No: 15-12520-3007
Price \$10.93 per foot

ELECTRICAL FAN DELAY SWITCH

1999 TO PRESENT



Item No: 60-12259-0001
Price \$50.37 each

FRAME HEATER WIRE LT & NT

SPECIFY DOOR LOCATION AND
NUMBER OF DOORS PER FRAME

CALL FACTORY



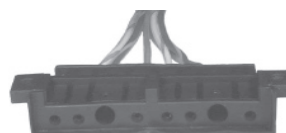
Item No: 50-10632-0000
Price \$4.62 per foot

ELECTRICAL RECEPTACLE NON-REVERSIBLE - PRIOR TO 1987



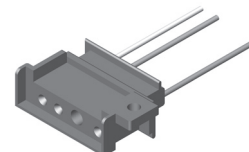
Item No: 60-10817-0001
Price \$35.97 each

ELECTRICAL HINGE PIN RECEPTACLE DOUBLE/REVERSIBLE



Item No: 60-12377-0001
Price \$12.13 each

ELECTRICAL HINGE PIN RECEPTACLE SINGLE/REVERSIBLE



Left
Item No: 60-12376-0001
Price \$9.63 each
Right
Item No: 60-12376-0002
Price \$9.63 each

ELECTRICAL ROCKER SWITCH



Small
3/4" x 1/4"

Small 120V
Item No: 60-12486-0001
Price \$17.21 each
Small 220V
Item No: 60-13104-0002
Price \$17.21 each

FRAME SCREW INSTALLATION



Silver
Item No: 40-10993-1014
Price \$2.46 each
Black
Item No: 40-10993-3014
Price \$2.46 each
Gold
Item No: 40-10993-4014
Price \$2.46 each

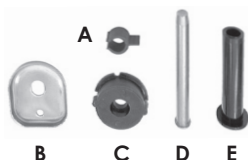
FRAME SEX BOLT



Silver
Item No: 40-11132-1004
Price \$4.30 each
Item No: 40-11065-1006
Price \$4.30 each
Gold
Item No: 40-11132-2006
Price \$4.30 each
Item No: 40-11065-2006
Price \$4.30 each
Black
Item No: 40-11131-3004
Price \$4.30 each
Item No: 40-11065-3006
Price \$4.30 each

HINGE PIN HARDWARE

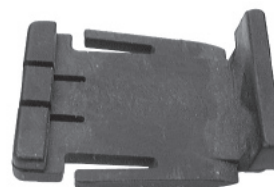
NON-REVERSIBLE PRIOR TO 1987



Cap Cover
B Item No: 15-12471-0001
Price \$14.72 each
Hinge Pin Retainer Cap
C Item No: 20-11942-0001
Price \$12.63 each
Stainless Steel Hinge Pin
D Item No: 15-11084-0001
Price \$16.50 each
Hinge Pin Adapter
E Item No: 20-11552-0001
Price \$3.06 each

Safety Clip
A Item No: 20-11795-0002
Price \$7.06 each

HINGE PIN FILLER PLUG



Item No: 20-11314-0001
Price \$2.46 each

JOINING STRIP - FULL

PROVIDE DOOR SIZE
W.O # OF FRAME



Black
Item No: 11-10804-6924
Price \$8.78 per foot
Gold
Item No: 11-10804-3024
Price \$8.78 per foot
Silver
Item No: 11-10804-2024
Price \$8.78 per foot
Satin
Item No: 11-10804-4024
Price \$8.78 per foot

POM RETROFIT KIT

FOR NON-REVERSIBLE
PRIOR TO 11-1989



Item No: 02-14288-0001
Price \$56.87 each

STRIKER PLATE

FOR FLUSH MOUNT LOCK



ELS
Item No: 11-13989-1001
Price \$12.75 each
Pre-Wired
Item No: 11-14233-1001
Price \$12.75 each

TORQUE MASTER
NON-REVERSIBLE - PRIOR TO 1987



Item No: 02-10568-0002
Price \$51.77 each

TORQUE MASTER
REVERSIBLE - JANUARY 1987



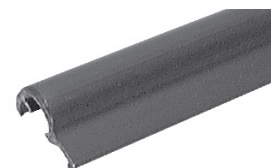
Silver
Item No: 02-10568-0001
Price \$28.51 each
Black
Item No: 02-10568-0003
Price \$28.51 each

TORQUE MASTER
HOLE PLUG



Black
Item No: 20-12754-0001
Price \$2.46 each
Gold
Item No: 20-12754-0002
Price \$2.46 each
Silver
Item No: 20-12754-0003
Price \$2.46 each

VINYL CONTACT
PLATE RETAINER



Item No: 20-10619-1079
Price \$2.46 per foot

SILL GUARD
PLATE PROTECTOR



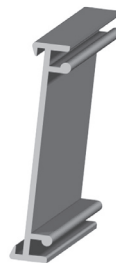
Item No: 11-10865-7020
Price \$14.87 per foot

PUSH PIN



Item No: 40-10254-0001
Price \$2.54 each

VINYL RACEWAY
COVER



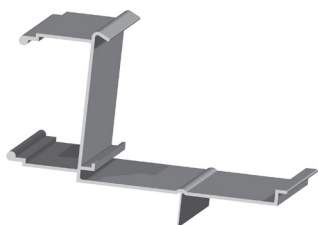
Item No: 20-10614-1031
Price \$4.57 per foot

VINYL RACEWAY - TOP
WITH ANGLE FOR LIGHTS



Item No: 20-10611-1024
Price \$9.85 per foot

VINYL RACEWAY
FRAME COVER
WITH RACEWAY



Item No: 20-11059-1024
Price \$9.85 per foot

HEAT BARRIER



Item No: 20-11833-0020
Price \$3.34 per foot
Item No: 20-11398-1019
Price \$6.03 per foot

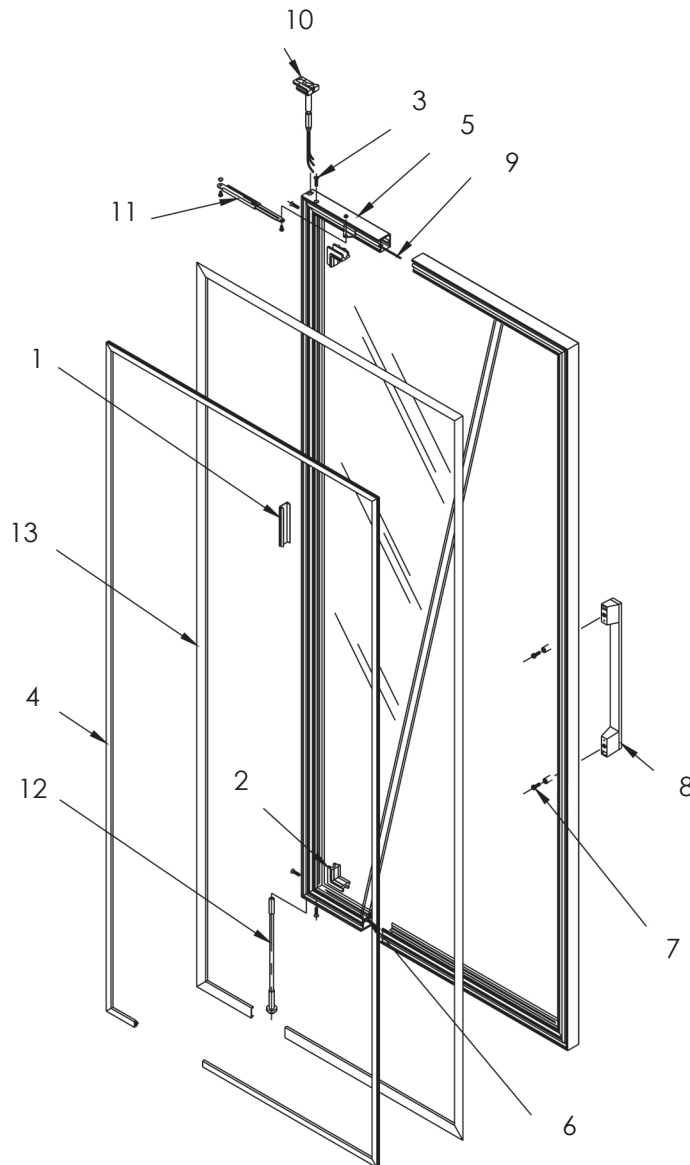
A

A

SECTION B

DOOR PARTS

PROVIDE ANTHONY W/O #
(Located on the UL Label on top of the door)



- 1: Access Hole Cover
- 2: Corner Piece
- 3: Corner Piece Screw
- 4: Door Gasket
- 5: Door Rail
- 6: Glazing Channel
- 7: Handle Screw
- 8: Handle
- 9: Heater Wire
- 10: Hinge Pin
- 11: Hold Open
- 12: Torque Rod
- 13: Vinyl Door Cover

B

CORNER PIECE
WIDE OR NARROW



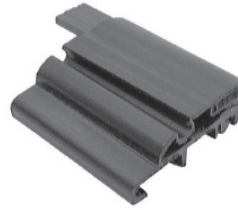
Item No: 11-11969-0001
Price \$5.11 each

CORNER PIECE SCREW



Black
Item No: 40-12288-3008
Price \$2.45 each
Gold
Item No: 40-12288-2008
Price \$2.45 each
Silver
Item No: 40-12288-1008
Price \$2.45 each

DOOR GASKET
11-1-90
THROUGH DECEMBER 1990



Item No: 20-11832-1011
Price \$29.27 per foot

DOOR GASKET
CURRENT ANVIL
BEGINNING NOV. 1990 - PRESENT



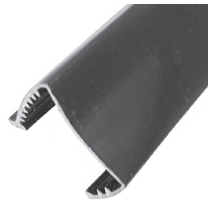
Item No: 02-14799-0000
Price \$9.92 per foot

ELECTRICAL HINGE PIN
WITH LEADS



Black
Item No: 60-10847-0004
Price \$47.87 each
Silver
Item No: 60-10847-0003
Price \$47.87 each

GLAZING CHANNEL



Item No: 20-11732-1062
Price \$4.61 per foot

HANDLE - TRIMLINE



Black
Item No: 45-13595-2001
Price \$30.47 each
Silver
Item No: 45-13595-0001
Price \$30.47 each
Gold
Item No: 45-13595-3001
Price \$30.47 each
Satin
Item No: 45-13595-1001
Price \$29.86 each
Handle Screw
Item No: 40-11068-1008
Price \$2.46 each

HEATER WIRE (DOOR)
LT & NT
SPECIFY DOOR SIZE



Item No: 50-10632-0001
Price \$4.64 per foot

BOTTOM HOLD OPEN HINGE - RIGHT
PRIOR TO JANUARY 15, 1995



Item No: 15-10629-0002
Price \$18.79 each

HOLD OPEN HINGE HARDWARE
NEEDED FOR LEFT AND RIGHT HINGES



Screw
Item No: 40-11072-1007
Price \$2.46 each
Washer
Item No: 40-11145-1000
Price \$2.46 each

BOTTOM HOLD OPEN HINGE - LEFT
PRIOR TO JANUARY 15, 1995



Item No: 15-10629-0001
Price \$18.79 each

HOLD OPEN ARM AND HARDWARE
1987 TO 1995



Hold Open Assembly
Item No: 02-11807-0002
Price \$44.91 each

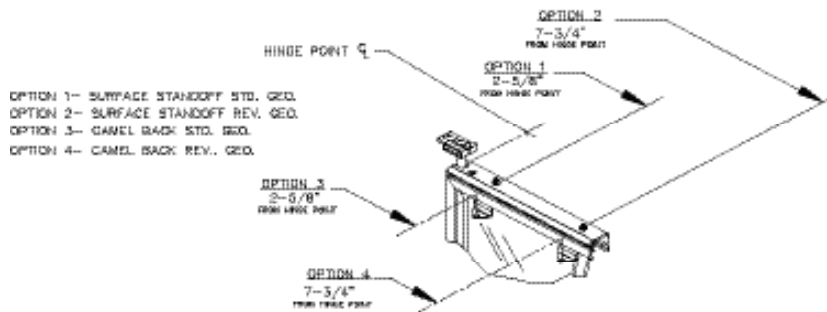
Hold Open Arm
(Camelback Hinge & Hardware)
Item No: 02-11807-0001
Price \$36.43 each
Screw
Item No: 40-10935-0001
Price \$2.24 each
Lock Nut
Item No: 40-10864-0001
Price \$2.20 each
Threaded Back
Item No: 40-10984-0001
Price \$2.64 each

HOLD OPEN ARM AND HARDWARE
1995 TO PRESENT



Hold Open Assembly
Item No: 02-14649-0001
Price \$44.91 each
Hold Open Arm
(Top Surface Mount)
Item No: 15-14707-0001
Price \$34.43 each

Detent Standoff on Frame
Item No: 40-15096-0001
Price \$3.89 each
210C Detent Standoff
Item No: 40-14613-0001
Price \$3.89 each
Pivot Standoff on Door
Item No: 40-14616-0001
Price \$4.56 each
Screw
Item No: 40-11248-3002
Price \$1.91 each
Spacer
Item No: 40-15097-0001
Price \$1.31 each



LOCK
FLUSH MOUNT



Lock and Keys
Item No: 40-12013-0001
Price \$84.26 each
Keys Only
Item No: 40-12598-0001
Price \$10.83 each

LOCK
SURFACE MOUNT



Gold
Item No: 40-11836-0001
Price \$84.26 each
Silver
Item No: 40-11836-0002
Price \$84.26 each

PASS-THRU
BOTTOM FLAP
RUBBER
SPECIFY DOOR WIDTH



Item No: 20-11435-1071
Price \$18.35 per foot

SCREW
PASS-THRU BOTTOM FLAP



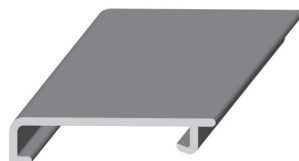
Item No: 40-11117-1011
Price \$.63 each

TORQUE ROD
BEGINNING 1989
TO PRESENT



Item No: 02-10308-0007
Price \$35.99 each

VINYL DOOR COVER
BEGINNING NOVEMBER 1990



Item No: 20-10402-1013
Price \$3.97 per foot

VINYL DOOR COVER
MODEL 401B



Item No: 20-15277-1041
Price \$3.97 per foot

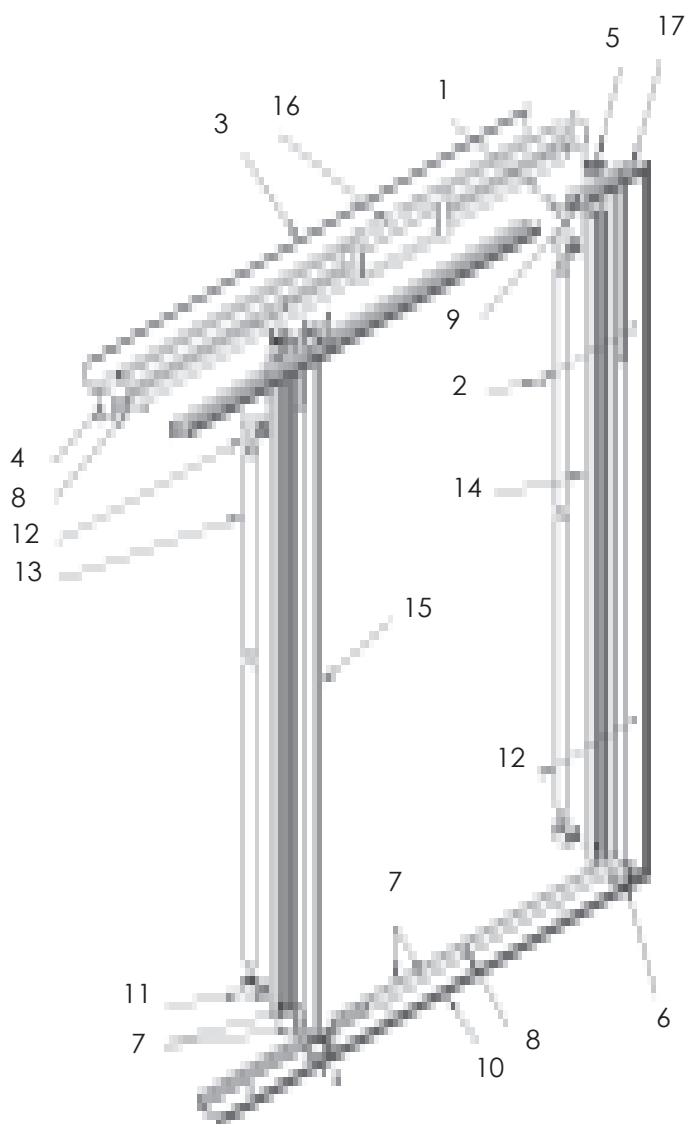
B

B

SECTION B

FRAME PARTS

PROVIDE ANTHONY W/O #
(Located on the UL Label on top of the frame)



- 1: Electrical Heater Wire
- 2: Frame Screw (Installation)
- 3: Raceway Cover and Clip
- 4: Raceway End Clip
- 5: Single Socket Station
- 6: Torque Master
- 7: Vinyl Retainer/Contact Plate
- 8: Ballast Raceway (Non-Replaceable)
- 9: Box Housing (Non-Replaceable)
- 10: Frame Extrusion (Non-Replaceable)
- 11: Lamp Socket (Bottom-Refer to Section J/Lighting)
- 12: Lamp Socket (Top-Refer to Section J/Lighting)
- 13: Light Bulb (Refer to Section J/Lighting)
- 14: Light Channel (Refer to Section J/Lighting)
- 15: T-Mullion (Non-Replaceable)
- 16: Pre-Wired Ballast (Refer to Section J/Lighting)
- 17: Single Station GIB (Non-Replaceable)

B

SILL GUARD

ALUMINUM



19¹/₂"
Item No: 11-11612-0001
Price \$24.74 each
23¹/₄"
Item No: 11-11612-0002
Price \$29.80 each
26³/₄"
Item No: 11-11612-0003
Price \$33.54 each

FRAME HEATER WIRE

LT & NT

SPECIFY DOOR LOCATION AND
NUMBER OF DOORS PER FRAME
CALL FACTORY



Item No: 50-10632-0000
Price \$4.62 per foot

FRAME SCREW

INSTALLATION



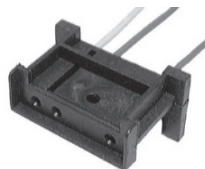
Gold
Item No: 40-10993-2014
Price \$2.46 each
Black
Item No: 40-10993-3014
Price \$2.46 each
Silver
Item No: 40-10993-1014
Price \$2.46 each

FRAME SEX BOLT



Silver
Item No: 40-11131-1004
Price \$4.30 each
Item No: 40-11065-1006
Price \$4.30 each
Gold
Item No: 40-11132-2006
Price \$4.30 each
Item No: 40-11065-2006
Price \$4.30 each
Black
Item No: 40-11131-3004
Price \$4.30 each
Item No: 40-11065-3006
Price \$4.30 each

SINGLE STATION SOCKET



Item No: 60-10510-0001
Price \$11.26 each

TORQUE MASTER

REVERSIBLE



Silver
Item No: 02-10568-0001
Price \$28.51 each
Black
Item No: 02-10568-0003
Price \$28.51 each

CONTACT RETAINER



Models 400 & 401
Item No: 20-14446-1010
Price \$10.25 per foot
Model 401B
Item No: 20-60283-1011
Price \$10.25 per foot

CONTACT PLATE

MODELS 400-401



Pass Thru
Item No: 15-14563-0000
Price \$10.93 per foot
21⁵/₈"
Item No: 15-14563-2001
Price \$19.96 each
25³/₈"
Item No: 15-14563-2002
Price \$23.58 each

27³/₈"
Item No: 15-14563-2003
Price \$25.45 each
28⁷/₈"
Item No: 15-14563-2004
Price \$26.32 each
64⁷/₈"
Item No: 15-14563-2005
Price \$59.08 each
72⁷/₈"
Item No: 15-14563-2006
Price \$66.39 each
76⁷/₈"
Item No: 15-14563-2007
Price \$69.98 each

CONTACT PLATE

MODEL 401B

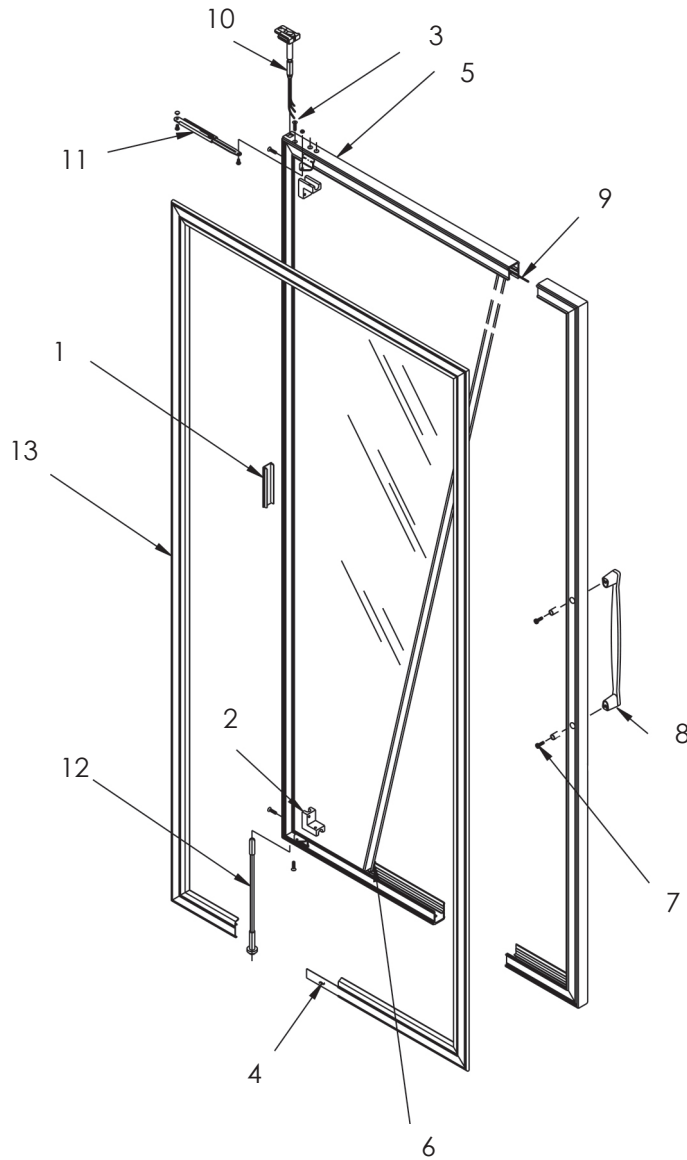


Item No: 15-11626-0004
Price \$10.93 per foot

SECTION C

DOOR PARTS

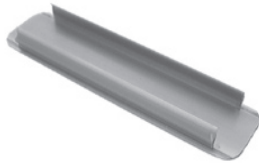
PROVIDE ANTHONY W/O #
(Located on the UL Label on top of the door)



- 1: Access Hole Cover
- 2: Corner Piece
- 3: Corner Piece Screw
- 4: Door Contact Plate
- 5: Door Rail
- 6: Glazing Channel
- 7: Handle Screw
- 8: Handle
- 9: Heater Wire
- 10: Hinge Pin
- 11: Hold Open
- 12: Torque Rod
- 13: Vinyl Door Cover

C

ACCESS HOLE COVER



Black
Item No: 20-12294-0001
Price \$2.81 each
Gold
Item No: 20-12294-0002
Price \$2.81 each
Silver
Item No: 20-12294-0003
Price \$2.81 each

CORNER PIECE
WIDE OR NARROW



Item No: 11-11969-0001
Price \$5.11 each

CORNER PIECE SCREW



Silver
Item No: 40-12288-1008
Price \$2.45 each
Gold
Item No: 40-12288-2008
Price \$2.45 each
Black
Item No: 40-12288-3008
Price \$2.45 each

GLAZING CHANNEL 1"



Item No: 20-12344-1062
Price \$4.61 per foot

HANDLE SCREW



Item No: 40-11068-1008
Price \$2.50 each

HANDLE - BAJA



Gold
Item No: 45-10364-0001
Price \$114.81 each
Silver
Item No: 45-10364-0002
Price \$114.81 each

HANDLE - BOLD



Gold
Item No: 45-13596-0001
Price \$114.81 each
Silver
Item No: 45-13596-0002
Price \$114.81 each

HANDLE - RENAISSANCE



Gold
Item No: 45-10362-0001
Price \$114.81 each
Silver
Item No: 45-10362-0002
Price \$114.81 each

HANDLE - VENETIAN TWIST



Gold
Item No: 45-10363-0001
Price \$114.81 each
Silver
Item No: 45-10363-0002
Price \$114.81 each

HANDLE - SLIMLINE



Chrome
Item No: 45-11876-0002
Price \$44.15 each
Gold
Item No: 45-11876-0003
Price \$89.37 each
Black
Item No: 45-11876-0004
Price \$86.57 each
Satin Silver
Item No: 45-11876-0005
Price \$86.57 each

HEATER PLUG SJ
CORD
BEFORE 1983
SINGLE SCREW



Item No: 60-10223-1002
Price \$114.84 each

HEATER PLUG SJ
CORD
AFTER 1983-87
2 SCREW



Item No: 60-12336-1001
Price \$70.84 each

HEATER WIRE (DOOR)
LT & NT
SPECIFY DOOR SIZE



Item No: 50-10632-0001
Price \$4.64 per foot

HINGE PIN ADAPTER
BEGINNING 1989



Item No: 20-11552-0001
Price \$3.06 each

HINGE PIN

WITH LEADS
BEGINNING 1987



Black
Item No: 60-10847-0004
Price \$47.87 each
Silver
Item No: 60-10847-0003
Price \$47.87 each

HINGE PIN

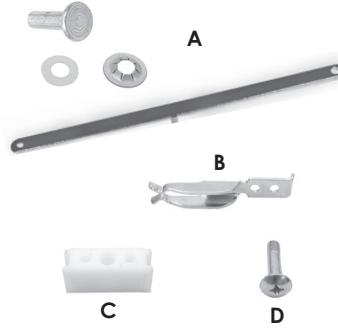
WITHOUT LEADS
BEGINNING JANUARY 1987



Black
Item No: 60-10848-0002
Price \$47.87 each
Silver
Item No: 60-10848-0001
Price \$47.87 each

HOLD OPEN ARM AND HARDWARE

JANUARY 1987



A Arm Assembly
Item No: 02-13594-0001
Price \$45.79 each
B Hold Open Clip
Item No: 15-13559-0001
Price \$20.80 each
C Slide Block
Item No: 20-11317-0001
Price \$14.66 each
D Shoulder Screw
Item No: 40-11073-1025
Price \$5.94 each

HOLD OPEN ARM AND HARDWARE
1987 TO 1995



Hold Open Assembly
Item No: 02-11807-0002
Price \$44.91 each

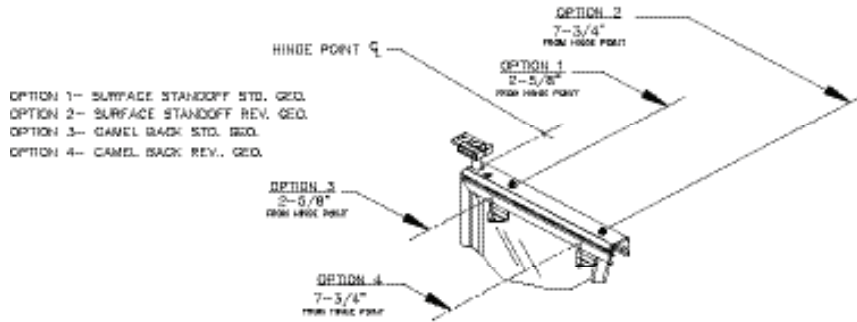
Hold Open Arm
(Camelback Hinge & Hardware)
Item No: 02-11807-0001
Price \$36.43 each
Screw
Item No: 40-10935-0001
Price \$2.24 each
Lock Nut
Item No: 40-10864-0001
Price \$2.20 each
Threaded Back
Item No: 40-10984-0001
Price \$2.64 each

HOLD OPEN ARM AND HARDWARE
1995 TO PRESENT



Hold Open Assembly
Item No: 02-14649-0001
Price \$44.91 each
Hold Open Arm
(Top Surface Mount)
Item No: 15-14707-0001
Price \$34.43 each

Detent Standoff on Frame
Item No: 40-15096-0001
Price \$3.89 each
210C Detent Standoff
Item No: 40-14613-0001
Price \$3.89 each
Pivot Standoff on Door
Item No: 40-14616-0001
Price \$4.56 each
Screw
Item No: 40-11248-3002
Price \$1.91 each
Spacer
Item No: 40-15097-0001
Price \$1.31 each



LOCK
FLUSH MOUNT



Lock and Keys
Item No: 40-12013-0001
Price \$84.26 each
Keys Only
Item No: 40-12598-0001
Price \$10.83 each
Full Length Handle Key
Item No: 40-12989-0001
Price \$20.36 each

POM LOCK
REVERSIBLE DOOR
BEGINNING JANUARY 1987



POM Lock
Item No: 02-11585-0003
Price \$54.88 each

PASS-THRU
BOTTOM FLAP
RUBBER
SPECIFY DOOR SIZE



Item No: 20-11435-1071
Price \$18.35 per foot

PASS -THRU SCREW
PASS-THRU BOTTOM FLAP



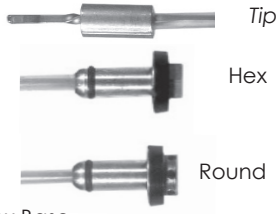
Item No: 40-11117-1011
Price \$.63 each

TORQUE ROD - 5/16"
PRIOR TO 1987



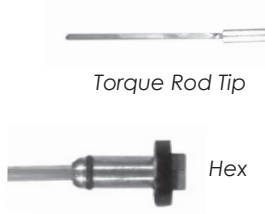
Hex Base
 Item No: 02-11752-0005
 Price \$84.57 each
Round Base
 Item No: 02-11940-0005
 Price \$84.57 each

TORQUE ROD - 7/16"
1987 - 1989



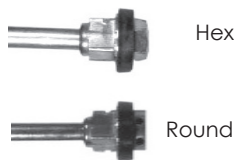
Hex Base
 Item No: 02-11764-0005
 Price \$36.56 each
Round Base
 Item No: 02-11767-0005
 Price \$36.74 each

TORQUE ROD
1987



Item No: 02-11763-0009
 Price \$36.00 each

TORQUE ROD
BEGINNING 1989 TO PRESENT (Hex)



Hex Base 12"
 Item No: 02-10308-0001
 Price \$36.00 each
Hex Base 18"
 Item No: 02-10308-0003
 Price \$36.00 each
Hex Base 30"
 Item No: 02-10308-0007
 Price \$36.00 each
Round Base
 Item No: 02-10308-0008
 Price \$36.00 each

TORQUE ROD PINS

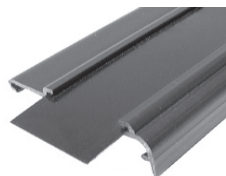


Item No: 15-10321-0001
 Price \$6.92 each



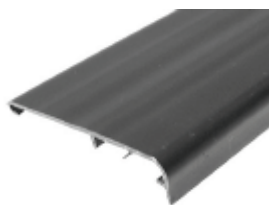
Item No: 15-10320-0001
 Price \$6.92 each

VINYL DOOR COVER
STEEL CONTACT PLATE



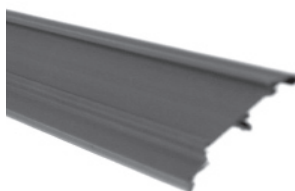
Cover
 Item No: 20-10903-1038
 Price \$5.06 per foot
Contact Plate
 Item No: 15-11626-0002
 Price \$10.98 per foot

VINYL DOOR COVER
HINGE SIDE ONLY



Item No: 20-11433-1009
 Price \$5.00 per foot

VINYL DOOR COVER
1KDB MODEL

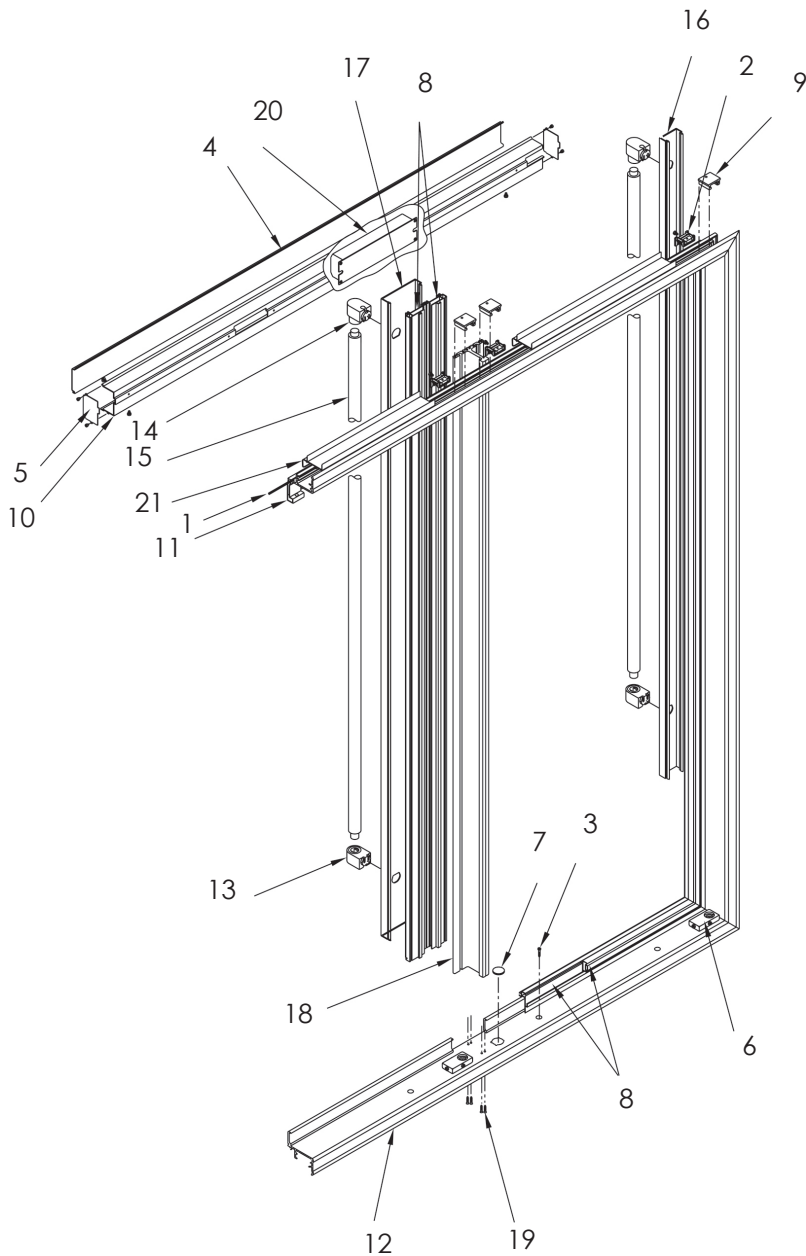


Item No: 20-15017-1041
 Price \$5.06 per foot

SECTION C

FRAME PARTS

PROVIDE ANTHONY W/O #
(Located on the UL Label on top of the frame)



- 1: Electrical Heater Wire
- 2: Electrical Hinge Pin Receptical
- 3: Frame Screw (Installation)
- 4: Raceway Cover and Clip
- 5: Raceway End Clip
- 6: Torque Master
- 7: Torque Master Hole Plug
- 8: Vinyl Frame Cover Strip
- 9: Single Station GIB
(Non-Replaceable)
- 10: Ballast Raceway
(Non-Replaceable)
- 11: Box Housing
(Non-Replaceable)
- 12: Frame Extrusion
(Non-Replaceable)
- 13: Lamp Socket
(Bottom-Refer to Section J/Lighting)
- 14: Lamp Socket
(Top-Refer to Section J/Lighting)
- 15: Light Bulb
(Refer to Section J/Lighting)
- 16: Light Channel End Jamb
(Refer to Section J/Lighting)
- 17: Light Channel Center Mullion
(Refer to Section J/Lighting)
- 18: T-Mullion
(Non-Replaceable)
- 19: Mullion Retaining Screws
- 20: Pre-Wired Ballast
(Refer to Section J/Lighting)
- 21: Vinyl Frame Cover

SILL GUARD

SPECIFY DOOR WIDTH



Item No: 11-10507-7015
Price \$14.93 per foot

**FRAME HEATER WIRE
LT & NT**

SPECIFY DOOR LOCATION AND
NUMBER OF DOORS PER FRAME
CALL FACTORY



Item No: 50-10632-0000
Price \$4.62 per foot

**ELECTRICAL HINGE
PIN RECEPTACLE**
SINGLE/REVERSIBLE



Item No: 60-10510-0001
Price \$11.26 each

ELECTRICAL RECEPTACLE
NON-REVERSIBLE - PRIOR TO 1987



Item No: 60-10817-0001
Price \$35.97 each

**ELECTRICAL
ROCKER SWITCH**



Small

Small 120V
Item No: 60-12486-0001
Price \$17.21 each
Small 220V
Item No: 60-13104-0002
Price \$17.21 each

FRAME SCREW
INSTALLATION



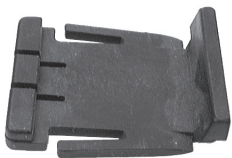
Silver
Item No: 40-10993-1014
Price \$2.46 each
Black
Item No: 40-10993-3014
Price \$2.46 each
Gold
Item No: 40-10993-4014
Price \$2.46 each

FRAME SEX BOLT



Silver
Item No: 40-11131-1004
Price \$4.30 each
Item No: 40-11065-1006
Price \$4.30 each
Gold
Item No: 40-11132-2006
Price \$4.30 each
Item No: 40-11065-2006
Price \$4.30 each
Black
Item No: 40-11131-3004
Price \$4.30 each
Item No: 40-11065-3006
Price \$4.30 each

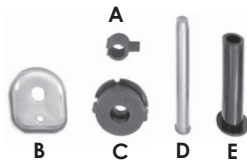
HINGE PIN FILLER PLUG



Item No: 20-11314-0001
Price \$2.46 each

HINGE PIN HARDWARE

NON-REVERSIBLE PRIOR TO 1987



A Safety Clip
Item No: 20-11795-0002
Price \$7.06 each

B Cap Cover
Item No: 15-12471-0001
Price \$14.72 each
C Hinge Pin Retainer Cap
Item No: 20-11942-0001
Price \$12.63 each
D Stainless Steel Hinge Pin
Item No: 15-11084-0001
Price \$16.50 each
E Hinge Pin Adapter
Item No: 20-11552-0001
Price \$3.06 each

TORQUE MASTER

NON-REVERSIBLE - 1983 TO 1987



Item No: 02-10568-0002
Price \$51.77 each

TORQUE MASTER
REVERSIBLE - JANUARY 1987
TO CURRENT



Silver
Item No: 02-10568-0001
Price \$28.51 each
Black
Item No: 02-10568-0003
Price \$28.51 each

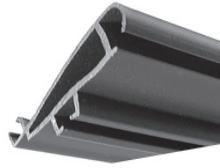
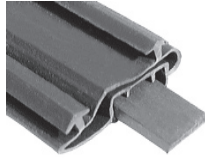
**TORQUE MASTER
HOLE PLUG**



Black
Item No: 20-12754-0001
Price \$2.46 each
Gold
Item No: 20-12754-0002
Price \$2.46 each
Silver
Item No: 20-12754-0003
Price \$2.46 each

VINYL FRAME COVER STRIP AND GASKET

PRIOR TO NOVEMBER 1981
(BOTH PIECES ARE USUALLY NEEDED)
SPECIFY DOOR SIZE

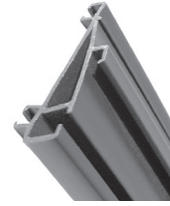
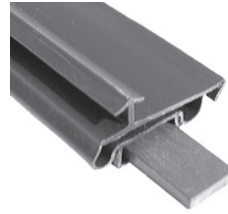


Custom Gasket
Item No: 02-11393-0000
Price \$16.84 per foot

Vinyl Frame Cover Strip
Item No: 20-11376-1056
Price \$17.56 per foot

VINYL FRAME COVER STRIP AND GASKET

AFTER NOVEMBER 1981
(BOTH PIECES ARE USUALLY NEEDED)
SPECIFY DOOR SIZE



Custom Gasket
Item No: 02-10090-0000
Price \$6.14 per foot

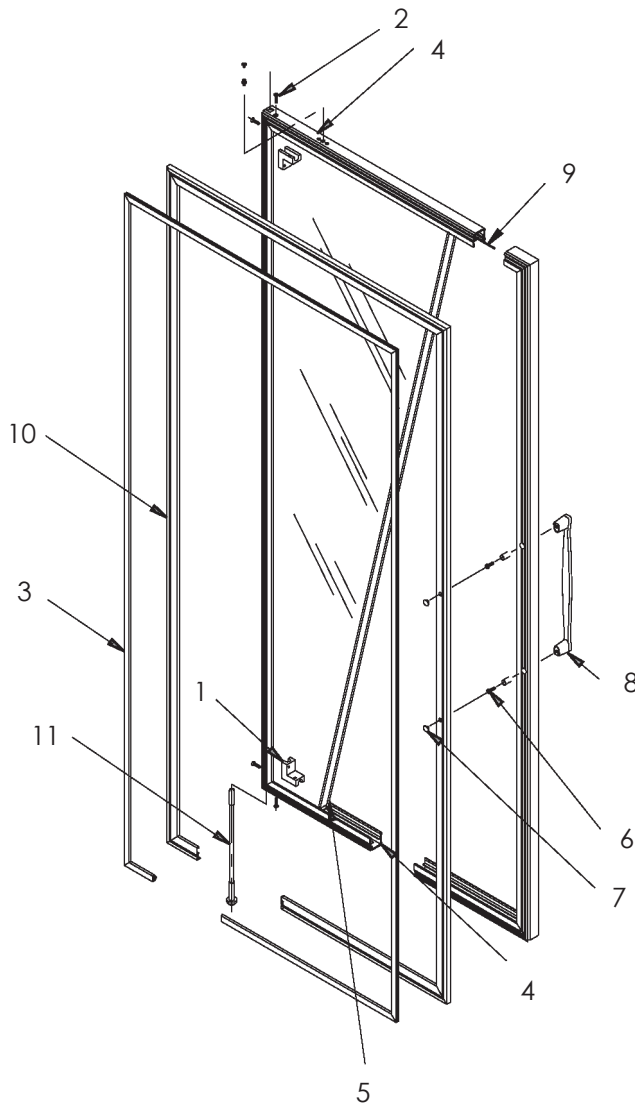
Vinyl Frame Cover Strip
Item No: 20-11399-1069
Price \$5.75 per foot



C

SECTION D

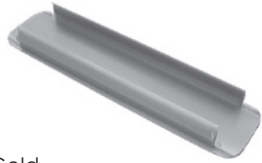
PROVIDE ANTHONY W/O #
(Located on the UL Label on top of the door)



- 1: Corner Piece
- 2: Corner Piece Screw
- 3: Door Gasket
- 4: Door Rail
- 5: Glazing Channel
- 6: Handle Screw
- 7: Handle Screw Hole Plug
- 8: Handle
- 9: Heater Wire
- 10: Vinyl Door Cover
- 11: Torque Rod or Edgemount Hardware

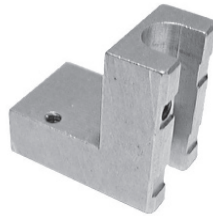
D

ACCESS HOLE COVER



Gold
Item No: 20-12294-0002
Price \$2.81 each
Silver
Item No: 20-12294-0003
Price \$2.81 each
Black
Item No: 20-12294-0001
Price \$2.81 each

CORNER PIECE
WIDE OR NARROW



Item No: 11-11969-0001
Price \$5.11 each

CORNER PIECE SCREW



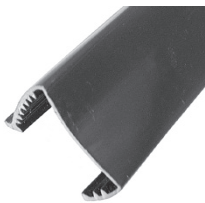
Black
Item No: 40-12288-3008
Price \$2.45 each
Gold
Item No: 40-12288-2008
Price \$2.45 each
Silver
Item No: 40-12288-1008
Price \$2.45 each

DOOR GASKET
ANVIL



Inboard Gasket
Item No: 02-15267-0000
Price \$10.03 per foot
Black - Outboard Gasket
Item No: 02-14800-0000
Price \$10.03 per foot

GLAZING CHANNEL



Narrow
Item No: 20-12344-1062
Price \$4.61 per foot
Wide
Item No: 20-11386-1062
Price \$4.64 per foot

HANDLE SCREW HOLE PLUG



Item No: 20-11511-0001
Price \$2.46 each

HANDLE - SLIMLINE



Chrome
Item No: 45-11876-0002
Price \$44.15 each

Gold
Item No: 45-11876-0003
Price \$89.37 each
Black
Item No: 45-11876-0004
Price \$86.57 each
Satin Silver
Item No: 45-11876-0005
Price \$86.57 each
White
Item No: 45-11876-0007
Price \$86.57 each
Carmel
Item No: 45-11876-0009
Price \$86.57 each

HANDLE - TRIMLINE



Black
Item No: 45-13595-2001
Price \$30.47 each
Silver
Item No: 45-13595-0001
Price \$30.47 each
Gold
Item No: 45-13595-3001
Price \$30.47 each
Satin
Item No: 45-13595-1001
Price \$29.86 each
Handle Screw
Item No: 40-11068-1008
Price \$2.46 each

HEATER PLUG SJ CORD
SINGLE SCREW



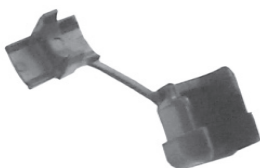
Item No: 60-10223-1002
Price \$114.84 each

HEATER PLUG SJ CORD
BEGINNING 1983 TO CURRENT
2-SCREW



Item No: 60-12336-1001
Price \$70.84 each

HEYCO STRAIN RELIEF
STRAIGHT



Black
Item No: 60-11033-0001
Price \$1.53 each
White
Item No: 60-11033-0004
Price \$1.53 each

HEYCO STRAIN RELIEF
90 DEGREE



Black
Item No: 60-11033-0002
Price \$1.62 each
White
Item No: 60-11033-0003
Price \$1.62 each

HEATER RECEPICAL
FEMALE



Item No: 60-10817-0001
Price \$35.97 each

LOCK
FLUSH MOUNT



Lock and Keys
Item No: 40-12013-0001
Price \$84.26 each
Keys Only
Item No: 40-12598-0001
Price \$10.83 each

STUD

BOTTOM



Item No: 40-11975-0001
Price \$2.48 each

STUD AND WASHER

BOTTOM



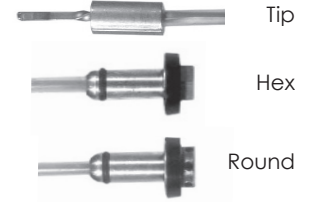
Stud Retainer Clip
Item No: 40-10590-2001
Price \$2.49 each
Washer
Item No: 40-11011-1002
Price \$2.48 each

TORQUE ROD ⁵/₁₆"
PRIOR TO 1987



Hex Base
Item No: 02-11752-0005
Price \$84.57 each
Round Base
Item No: 02-11940-0005
Price \$84.57 each

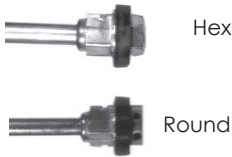
TORQUE ROD ⁷/₁₆"
1987 - 1989



Hex Base
Item No: 02-11764-0007
Price \$36.90 each
Round Base
Item No: 02-11767-0005
Price \$36.90 each

TORQUE ROD

BEGINNING 1989 TO PRESENT (Hex)



Hex Base 12"
Item No: 02-10308-0001
Price \$35.99 each
Hex Base 18"
Item No: 02-10308-0003
Price \$35.99 each
Hex Base 30"
Item No: 02-10308-0007
Price \$35.99 each
Round Base
Item No: 02-10308-0008
Price \$35.99 each

TORQUE ROD PINS



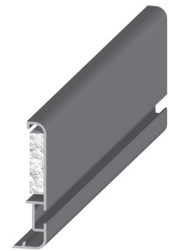
Item No: 15-10321-0001
Price \$6.92 each



Item No: 15-10320-0001
Price \$6.92 each

VINYL DOOR COVER

WIDE



Wide - 1 ⁵/₈" Outboard
Item No: 20-11401-1041
Price \$7.00 per foot

VINYL DOOR COVER
NARROW



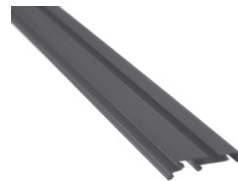
Narrow - 1 ¹/₄" Outboard
Item No: 20-10665-1041
Price \$7.00 per foot

VINYL DOOR COVER
NARROW



Narrow - 1 ¹/₄" Inboard
Item No: 02-15267-0000
Price \$8.09 per foot

VINYL DOOR COVER
NARROW
MODEL 601B



Narrow Outboard
Item No: 20-15013-1041
Price \$7.00 each
Narrow Inboard
Item No: 20-15016-1041
Price \$7.00 each

SPECIALTY BRACKETS FOR MODELS 6000 AND 6001

****ALL BRACKETS PICTURED ARE HINGE LEFT**

BOTTOM BRACKET
1 5/8" BACK FLANGE



Left
Item No: 15-11712-0001
Price \$88.58 each
Right
Item No: 15-11712-0002
Price \$88.58 each

BOTTOM BRACKET
3/4" BACK FLANGE



Left
Item No: 15-11639-0001
Price \$82.16 each
Right
Item No: 15-11639-0002
Price \$82.16 each

BOTTOM BRACKET
FLAT



Left
Item No: 15-11711-0001
Price \$81.63 each
Right
Item No: 15-11711-0002
Price \$81.63 each

BOTTOM BRACKET
WITH TORQUEMASTER



Left
Item No: 15-12865-0001
Price \$94.81 each
Right
Item No: 15-12865-0002
Price \$94.81 each

BOTTOM BRACKET
ASSEMBLY
TORQUEMASTER



Left
Item No: 15-11456-0001
Price \$134.91 each
Right
Item No: 15-11456-0002
Price \$134.91 each

BOTTOM BRACKET
STUD SCREW



Item No: 40-10224-0001
Price \$3.62 each

TOP BRACKET
OLD STYLE



Left
Item No: 15-10637-0001
Price \$68.75 each
Right
Item No: 15-10637-0002
Price \$68.75 each

TOP BRACKET
FLAT



Left or Right
Item No: 15-12999-0001
Price \$56.39 each

TOP BRACKET THREAD-
ED
STANDARD



Left
Item No: 15-10064-0001
Price \$77.95 each
Right
Item No: 15-10064-0002
Price \$77.95 each

TOP BRACKET
THREADED
REVERSED



Left
Item No: 15-10403-0001
Price \$77.95 each
Right
Item No: 15-10403-0002
Price \$77.95 each

HINGE PIN BUSHING



Item No: 20-11941-0001
Price \$4.97 each

HINGE PIN RETAINER



Item No: 15-12071-0001
Price \$6.94 each

D

HINGE PIN $5/16$ "
PRIOR TO JANUARY 1987



Item No: 15-11084-0001
Price \$16.50 each

**HINGE PIN
BUSHING $5/16$ "**
PRIOR TO JANUARY 1987



Item No: 20-11552-0001
Price \$3.06 each

**HINGE PIN
THREADED $7/16$ "**



Item No: 15-10063-0001
Price \$15.01 each

**HINGE PIN
BUSHING $7/16$ "**
BEGINNING JANUARY 1987



Item No: 20-11552-0003
Price \$3.10 each

**HINGE PIN
SAFETY CLIP $5/16$ "**



Item No: 20-11795-0002
Price \$7.06 each

**OFFSET HINGE
COVER $1\ 3/8$ "**



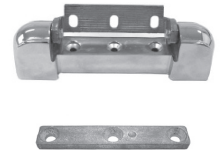
Item No: 40-13041-0003
Price \$20.65 each

**OFFSET HINGE
SPRING $1\ 3/8$ "**



Item No: 40-13041-0004
Price \$137.84 each

**OFFSET HINGE
WITH SPRING $1\ 3/8$ "**



With Spring
Item No: 40-13041-0002
Price \$288.86 each
With Cover
Item No: 40-13041-0001
Price \$150.97 each

**HOSHIZAKI
BOTTOM BRACKET**



Left
Item No: 15-13285-0001
Price \$95.22 each
Right
Item No: 15-13285-0002
Price \$95.22 each

**HOSHIZAKI
TOP BRACKET**



Left
Item No: 15-13204-0001
Price \$79.84 each
Right
Item No: 15-13204-0002
Price \$79.84 each

**MASTER-BILT
TOP BRACKET**



Left
Item No: 15-11710-0001
Price \$33.38 each
Right
Item No: 15-11710-0002
Price \$33.38 each

**REVCO
BOTTOM BRACKET**

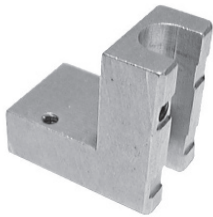


Left
Item No: 15-12070-0001
Price \$96.62 each
Right
Item No: 15-12070-0002
Price \$96.62 each



MODEL 7000 PARTS

CORNER PIECE
WIDE OR NARROW



Item No: 11-11969-0001
Price \$5.11 each

CORNER PIECE SCREW



Black
Item No: 40-12288-3008
Price \$2.45 each
Gold
Item No: 40-12288-2008
Price \$2.45 each
Silver
Item No: 40-12288-1008
Price \$2.45 each

DOOR GASKET
ANVIL



Inboard Gasket
Item No: 02-15267-0000
Price \$8.09 per foot
Black - Outboard Gasket
Item No: 02-14800-0000
Price \$8.09 per foot

GLAZING CHANNEL 1"



Item No: 20-12344-1062
Price \$4.61 per foot

HANDLE - SLIMLINE



Chrome
Item No: 45-11876-0002
Price \$44.15 each
Gold
Item No: 45-11876-0003
Price \$89.37 each
Black
Item No: 45-11876-0004
Price \$86.57 each
Satin Silver
Item No: 45-11876-0005
Price \$86.57 each

HANDLE - TRIMLINE



Black
Item No: 45-13595-2001
Price \$30.47 each
Silver
Item No: 45-13595-0001
Price \$30.47 each
Gold
Item No: 45-13595-3001
Price \$30.47 each
Satin
Item No: 45-13595-1001
Price \$29.86 each
Handle Screw
Item No: 40-11068-1008
Price \$2.46 each

HEATER WIRE (DOOR)
LT & NT
SPECIFY DOOR SIZE



Item No: 50-10632-0001
Price \$4.64 per foot

HINGE PIN
SAFETY CLIP



$\frac{5}{16}$ " Diameter
Item No: 20-11795-0002
Price \$7.06 each
 $\frac{7}{16}$ " Diameter
Item No: 20-11329-0002
Price \$7.13 each

TOP HINGE PIN $\frac{7}{16}$ "



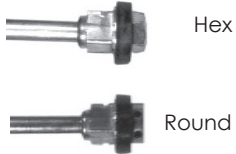
Item No: 15-10944-0001
Price \$22.32 each

TOP HINGE TUBE $\frac{7}{16}$ "
IN DIAMETER



Silver
Item No: 15-10863-0001
Price \$5.95 each

TORQUE ROD
BEGINNING 1989 TO PRESENT (Hex)



Hex Base 12"
 Item No: 02-10308-0001
 Price \$35.99 each
Hex Base 18"
 Item No: 02-10308-0003
 Price \$35.99 each
Hex Base 30"
 Item No: 02-10308-0007
 Price \$35.99 each
Round Base
 Item No: 02-10308-0016
 Price \$35.99 each

TORQUE ROD PINS



Item No: 15-10321-0001
 Price \$6.92 each



Item No: 15-10320-0001
 Price \$6.92 each

VINYL DOOR COVER
NARROW



Narrow - 1 1/4" Outboard
 Item No: 20-10665-1041
 Price \$7.00 per foot

VINYL DOOR COVER
NARROW



Narrow - 1 1/4" Inboard
 Item No: 20-11430-1011
 Price \$8.09 per foot

D

SPECIALTY BRACKETS FOR MODEL 7000

**ANGLED BOTTOM
BRACKET**
WITH CASTING



Left Hinge
Item No: 15-11597-0001
Price \$79.79 each
Right Hinge
Item No: 15-11597-0002
Price \$79.79 each

ANGLED TOP BRACKET
OLD STYLE



Left Hinge
Item No: 15-10637-0001
Price \$68.75 each
Right Hinge
Item No: 15-10637-0002
Price \$68.75 each

TOP BRACKET
FLAT



Item No: 15-12999-0001
Price \$56.39 each

D

SECTION E

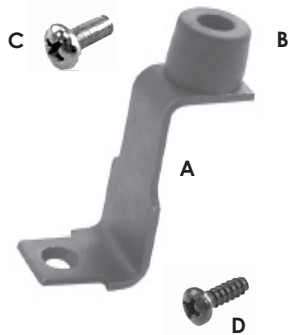
PROVIDE ANTHONY W/O #
(Located on the UL Label on top of the door)

- √ **MODEL 1700**
- √ **MODEL 1720**
- √ **MODEL 1725**
- √ **MODEL 2000**

E

PARTS SPECIFIC TO MODEL 1700

BRACKET ASSEMBLY AND INDIVIDUAL PARTS



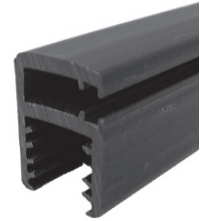
Bracket Assembly Complete
Item No: 02-13612-0001
Price \$19.62 each
Bumper Bracket (Only)
A Item No: 15-12792-0001
Price \$16.03 each
Rubber Bumper
B Item No: 25-10799-0001
Price \$.83 each
Bracket Screw
C Item No: 40-10997-1005
Price \$.20 each
Frame Screw
D Item No: 40-12869-3006
Price \$.20 each

DOOR CORNER PIECE



Item No: 11-10434-0002
Price \$8.87 each

DOOR RAIL



Black
Item No: 20-10425-1064
Price \$14.01 per foot
Gray
Item No: 20-10425-3064
Price \$14.01 per foot

DROP-IN BOTTOM TRACK



Item No: 11-10423-1015
Price \$3.28 per foot

HANDLE



Black 6"
Item No: 45-10123-2006
Price \$12.08 each
Gray 6"
Item No: 45-10123-3006
Price \$12.08 each

PULLEY .968" DIAMETER



Item No: 20-11464-0002
Price \$43.50 each

SELF-CLOSER ADJUSTMENT BAR 8"



Item No: 11-10441-0002
Price \$20.56 each

SELF-CLOSER SPRING STAINLESS STEEL *SPECIFIC DOOR SIZE



Item No: 02-13114-0000
Price \$12.59 each

TWO WHEEL ROLLER



Item No: 20-11548-0002
Price \$23.02 each

PARTS SPECIFIC TO MODELS 1720 & 1725

FRAME CORNER PIECE

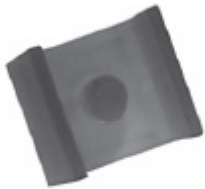


Item No: 40-10412-0001

Price \$3.28 each

PARTS SPECIFIC TO MODEL 2000

DOOR - BOTTOM GUIDE



Item No: 20-11928-0001
Price \$7.10 each

TOP BEARING WITH SCREW



Top Bearing
Item No: 40-13004-0001
Price \$4.19 each
Screw
Item No: 40-11248-8006
Price \$.77 each

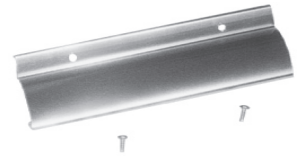
RUBBER BUMPER



Bumper
Item No: 25-12830-0001
Price \$3.12 each
Screw (not pictured)
Item No: 40-11114-5008
Price \$.75 each

HANDLE FOR MODEL 2000

WITH SCREW



Handle
Item No: 11-13002-4501
Price \$11.72 each
Screw
Item No: 40-12869-1004
Price \$.83 each

SECTION F

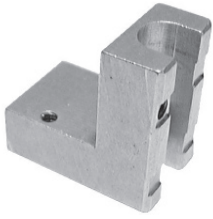
PROVIDE ANTHONY W/O #
(Located on the UL Label on top of the door)

√ **MODEL 1100**

√ **MODEL 1500**

F

CORNER PIECE
WIDE OR NARROW



Item No: 11-11969-0001
Price \$5.11 each

CORNER PIECE SCREW



Black
Item No: 40-12288-3008
Price \$2.45 each
Gold
Item No: 40-12288-2008
Price \$2.45 each
Silver
Item No: 40-12288-1008
Price \$2.45 each

COIL HEATER PLUG
*SPECIFIC DOOR SIZE
SPECIFY DOOR WIDTH



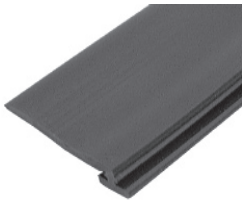
Item No: 60-11098-1002
Price \$45.03 each

DOOR BUMPER STOP



Item No: 11-13027-0001
Price \$8.37 each

DOOR CENTER FLAP SEAL
SPECIFY DOOR HEIGHT



Item No: 20-11225-1071
Price \$3.26 per foot

DROP-IN TRACK
STAINLESS STEEL
SPECIFY CUT SIZE



Item No: 15-11669-0001
Price \$14.86 per foot

FRAME SNAP-ON PLASTIC RUNNER



Item No: 20-11319-1020
Price \$2.48 per foot

GLAZING CHANNEL 1"



Narrow
Item No: 20-12344-1062
Price \$4.61 per foot
Wide
Item No: 20-11386-1062
Price \$4.64 per foot

HANDLE - BAJA



Gold
Item No: 45-10364-0001
Price \$114.81 each
Silver
Item No: 45-10364-0002
Price \$114.81 each

HANDLE - BOLD



Gold
Item No: 45-13596-0001
Price \$114.81 each
Silver
Item No: 45-13596-0002
Price \$114.81 each

HANDLE - RENAISSANCE



Gold
Item No: 45-10362-0001
Price \$114.81 each
Silver
Item No: 45-10362-0002
Price \$114.81 each

HANDLE - VENETIAN TWIST



Gold
Item No: 45-10363-0001
Price \$114.81 each
Silver
Item No: 45-10363-0002
Price \$114.81 each

HANDLE - OUTSIDE



Silver 14"
Item No: 45-10541-0006
Price \$58.94 each

Gold 14"
Item No: 45-10541-0005
Price \$82.17 each
Black 14"
Item No: 45-10541-0007
Price \$82.17 each
Silver 5"
Item No: 45-10541-0002
Price \$35.94 each
Gold 5"
Item No: 45-10541-0001
Price \$53.76 each
Black 5"
Item No: 45-10541-0009
Price \$53.76 each

HANDLE - INSIDE



Silver 14"
Item No: 45-10543-0006
Price \$58.94 each

Gold 14"
Item No: 45-10543-0005
Price \$82.17 each
Black 14"
Item No: 45-10543-0007
Price \$82.17 each
Silver 5"
Item No: 45-10543-0002
Price \$53.76 each
Gold 5"
Item No: 45-10543-0001
Price \$53.76 each
Black 5"
Item No: 45-10543-0009
Price \$53.76 each

F

HEATER WIRE
LT & NT
DOOR OR FRAME
CALL FACTORY



Item No: 50-10632-0001
Price \$4.64 per foot

LOCK



Item No: 40-12790-0001
Price \$88.55 each

ROLLER CAGE
ASSEMBLY
WITH BEARING
SPECIFY DOOR WIDTH



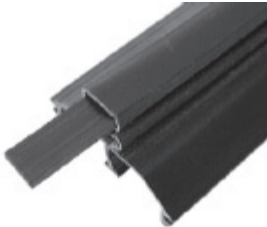
Item No: 02-10546-0000
Price \$25.49 per foot

SELF-CLOSER SPRING
3/8"
SPECIFY DOOR SIZE



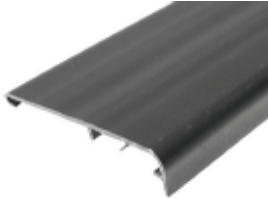
Item No: 90-13293-0002
Price \$36.99 each

SNAP-ON FRAME
MAGNETIC GASKET
BEGINNING 1984 TO CURRENT



Item No: 20-11400-1034
Price \$11.74 per foot

VINYL DOOR COVER



Item No: 20-11433-1009
Price \$5.02 per foot

F

F

SECTION G

PROVIDE ANTHONY W/O #
(Located on the UL Label on top of the door)

- √ **MODEL 4000 SHELVING**
- √ **MODEL 4002 SHELVING**
- √ **VOLUMEMASTER SHELVING**
- √ **ACCESSORY SHELVING**

G

26" DEEP SHELF
 WHITE ONLY, PRIOR TO 1984



- 30"x26"
G1 Item No: 86-11894-1001
 Price \$185.46 each
 28 1/2" x 26"
G2 Item No: 86-11894-1002
 Price \$185.46 each
 26 1/2" x 26"
G3 Item No: 86-11894-1003
 Price \$185.46 each
 22 3/4" x 26"
G4 Item No: 86-11894-1004
 Price \$185.46 each

REAR ENTRY SHELF
 NOVEMBER 1995 TO PRESENT



- White 22 9/16" x24"
 Item No: 88-14531-1X001
 Price \$66.26 each
White 23 5/16" x24"
 Item No: 88-14531-1X002
 Price \$64.14 each
White 26 5/16" x24"
 Item No: 88-14531-1X003
 Price \$66.05 each
White 28 5/16" x24"
 Item No: 88-14531-1X004
 Price \$68.04 each
White 29 13/16" x24"
 Item No: 88-14531-1X005
 Price \$70.08 each

- Black 22 9/16" x24"
 Item No: 88-14531-2X001
 Price \$81.98 each
Black 23 5/16" x24"
 Item No: 88-14531-2X002
 Price \$84.43 each
Black 26 5/16" x24"
 Item No: 88-14531-2X003
 Price \$86.97 each
Black 28 5/16" x24"
 Item No: 88-14531-2X004
 Price \$89.58 each
Black 29 13/16" x24"
 Item No: 88-14531-2X005
 Price \$92.25 each

24" SHELF OPTIONS

***SPECIFY TAG COLOR BY USING KEY**

27" SHELF OPTIONS

***SPECIFY TAG COLOR BY USING KEY**

- White 22 9/16" x27"
 Item No: 88-14531-1X006
 Price \$62.89 each
White 23 5/16" x27"
 Item No: 88-14531-1X007
 Price \$64.77 each
White 26 5/16" x27"
 Item No: 88-14531-1X008
 Price \$66.72 each
White 28 5/16" x27"
 Item No: 88-14531-1X009
 Price \$68.70 each
White 29 13/16" x27"
 Item No: 88-14531-1X010
 Price \$70.76 each

- Black 22 9/16" x27"
 Item No: 88-14531-2X006
 Price \$82.80 each
Black 23 5/16" x27"
 Item No: 88-14531-2X007
 Price \$85.29 each
Black 26 5/16" x27"
 Item No: 88-14531-2X008
 Price \$87.83 each
Black 28 5/16" x27"
 Item No: 88-14531-2X009
 Price \$91.41 each
Black 29 13/16" x27"
 Item No: 88-14531-2X010
 Price \$93.20 each

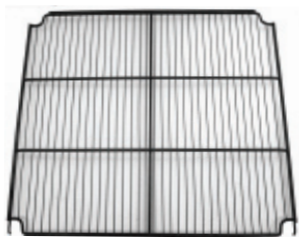
TAG MOLDING COLOR KEY

X = TAG COLOR

- 1 - WHITE**
- 2 - BLACK**
- 3 - SILVER/GREY**
- 4 - GOLD**

FRONT ENTRY SHELF

APRIL 1984 TO OCTOBER 1995



24" SHELF OPTIONS

Black 22 ⁹/₁₆" x24"
Item No: 86-10076-2001
Price \$93.17 each
Black 23 ⁵/₁₆" x24"
Item No: 86-10076-2002
Price \$95.96 each
Black 26 ⁵/₁₆" x24"
Item No: 86-10076-2003
Price \$175.98 each
Black 28 ⁵/₁₆" x24"
Item No: 86-10076-2004
Price \$101.79 each
Black 29 ¹³/₁₆" x24"
Item No: 86-10076-2005
Price \$104.86 each

White 22 ⁹/₁₆" x24"
Item No: 86-10076-1001
Price \$93.17 each
White 23 ⁵/₁₆" x24"
Item No: 86-10076-1002
Price \$95.96 each
White 26 ⁵/₁₆" x24"
Item No: 86-10076-1003
Price \$98.85 each
White 28 ⁵/₁₆" x24"
Item No: 86-10076-1004
Price \$101.79 each
White 29 ¹³/₁₆" x24"
Item No: 86-10076-1005
Price \$104.86 each

27" SHELF OPTIONS

Black 22 ⁹/₁₆" x27"
Item No: 86-10076-2008
Price \$94.10 each
Black 23 ⁵/₁₆" x27"
Item No: 86-10076-2007
Price \$96.91 each
Black 26 ⁵/₁₆" x27"
Item No: 86-10076-2006
Price \$99.82 each
Black 28 ⁵/₁₆" x27"
Item No: 86-10076-2009
Price \$102.83 each
Black 29 ¹³/₁₆" x27"
Item No: 86-10076-2010
Price \$105.90 each

White 22 ⁹/₁₆" x27"
Item No: 86-10076-1008
Price \$94.10 each
White 23 ⁵/₁₆" x27"
Item No: 86-10076-1007
Price \$96.91 each
White 26 ⁵/₁₆" x27"
Item No: 86-10076-1006
Price \$99.82 each
White 28 ⁵/₁₆" x27"
Item No: 86-10076-1009
Price \$102.83 each
White 29 ¹³/₁₆" x27"
Item No: 86-10076-1010
Price \$105.90 each

PLASTIC PRICE TAG MOLDING

SPECIFY DOOR WIDTH



Black
Item No: 20-11313-1024
Price \$13.43 per foot
White
Item No: 20-11313-2024
Price \$13.43 per foot
Gold
Item No: 20-11313-4024
Price \$13.43 per foot
Silver
Item No: 20-11313-8024
Price \$13.43 per foot
Red
Item No: 20-11313-7024
Price \$13.43 per foot

METAL PRICE TAG MOLDING

SPECIFY DOOR WIDTH



Silver
Item No: 11-12104-2090
Price \$47.44 each
Gold
Item No: 11-12104-3090
Price \$47.44 each
Black
Item No: 11-12104-6090
Price \$47.44 each

FRONT OR REAR PRODUCT STOP

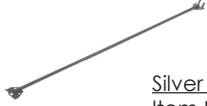
SPECIFY DOOR SIZE



White 23" Wide
Item No: 85-10763-1001
Price \$12.68 each
White 24" Wide
Item No: 85-10763-1002
Price \$12.68 each
White 26" Wide
Item No: 85-10763-1003
Price \$12.68 each
White 28" Wide
Item No: 85-10763-1004
Price \$12.68 each
White 30" Wide
Item No: 85-10763-1005
Price \$12.68 each

Black 23" Wide
Item No: 85-10763-2001
Price \$12.68 each
Black 24" Wide
Item No: 85-10763-2002
Price \$12.68 each
Black 26" Wide
Item No: 85-10763-2003
Price \$12.68 each
Black 28" Wide
Item No: 85-10763-2004
Price \$12.68 each
Black 30" Wide
Item No: 85-10763-2005
Price \$12.68 each

FOUR POST LOCATOR BAR



REAR ENTRY NOVEMBER 1995 TO PRESENT

FRONT ENTRY APRIL 1984 TO OCTOBER 1995

Silver 24"

Item No: 85-10831-0001
Price \$7.94 each

Silver 27"

Item No: 85-10831-0002
Price \$7.94 each

White 24"

Item No: 85-10831-1001
Price \$7.94 each

White 27"

Item No: 85-10831-1002
Price \$7.94 each

Black 24"

Item No: 85-10831-2001
Price \$7.94 each

Black 27"

Item No: 85-10831-2002
Price \$7.94 each

Silver 24"

Item No: 80-10886-0001
Price \$7.94 each

Silver 27"

Item No: 80-10886-0002
Price \$7.94 each

White 24"

Item No: 80-10886-1001
Price \$7.94 each

White 27"

Item No: 80-10886-1002
Price \$7.94 each

Black 24"

Item No: 80-10886-2001
Price \$7.94 each

Black 27"

Item No: 80-10886-2002
Price \$7.94 each

SIDE PRODUCT STOP



REAR ENTRY

Silver 24"

Item No: 85-10823-0001
Price \$7.63 each

Silver 27"

Item No: 85-10823-0002
Price \$7.63 each

White 24"

Item No: 85-10823-1001
Price \$7.63 each

White 27"

Item No: 85-10823-1002
Price \$7.63 each

Black 24"

Item No: 85-10823-2001
Price \$7.63 each

Black 27"

Item No: 85-10823-2002
Price \$7.63 each

FRONT ENTRY

Silver 24"

Item No: 80-10828-0001
Price \$7.63 each

Silver 27"

Item No: 80-10828-0002
Price \$7.63 each

White 24"

Item No: 80-10828-1001
Price \$7.63 each

White 27"

Item No: 80-10828-1002
Price \$7.63 each

Black 24"

Item No: 80-10828-2001
Price \$7.63 each

Black 27"

Item No: 80-10828-2002
Price \$7.63 each

S-HOOK 3 1/2" THROUGH 1984



Left

Item No: 80-10989-0001
Price \$4.07 each

Right

Item No: 80-10989-0002
Price \$4.07 each

Straight Left

Item No: 80-10109-0001
Price \$4.07 each

Straight Right

Item No: 80-10109-0002
Price \$4.07 each

CLIP-ON SHELF DIVIDER



White 24"

Item No: 80-10396-1008
Price \$12.17 each

White 27"

Item No: 80-10396-1006
Price \$18.43 each

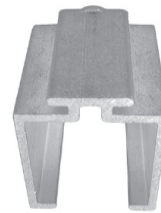
Black 24"

Item No: 80-10396-2008
Price \$12.17 each

Black 27"

Item No: 80-10396-2006
Price \$18.43 each

SQUARE POST RETAINING BRACKET 2" 1984 TO PRESENT



Silver

Item No: 80-15875-0001
Price \$18.43 each

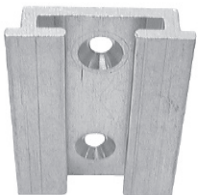
Black

Item No: 80-15875-0002
Price \$18.43 each

White

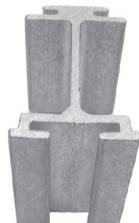
Item No: 80-15875-0003
Price \$18.43 each

WALL MOUNT BRACKET 1984 TO PRESENT



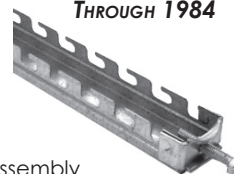
Item No: 11-12092-0001
Price \$42.25 each

FRAME BRACKET EXTENSION 1984 TO PRESENT



Item No: 11-11620-0001
Price \$20.16 each

REAR POST WITH ADJUSTMENT BOLT AND BRACKET THROUGH 1984



Assembly

Item No: 15-13616-0001
Price \$261.18 each

Bolt

Item No: 40-10951-1015
Price \$5.85 each

ASSEMBLY 1984 TO PRESENT



Bolt

Item No: 40-10951-1015
Price \$5.85 each

Silver

Item No: 15-10840-0002
Price \$83.79 each

White

Item No: 15-10840-1002
Price \$130.16 each

Black

Item No: 15-10840-2002
Price \$131.49 each

FRAME BRACKETS

**CENTER FRAME
MULLION BRACKET**
FOR MODEL 101, 101X, 101B



Item No: 11-10602-0001
Price \$10.17 each

**END FRAME
MULLION BRACKET**
FOR MODEL 101, 101X, 101B



Item No: 11-12868-0001
Price \$10.17 each

**CENTER FRAME
MULLION BRACKET**
FOR MODEL 1001



Item No: 11-10316-0001
Price \$6.97 each

**END FRAME
MULLION BRACKET**
FOR MODEL 1001



Item No: 11-10315-0001
Price \$6.97 each

ACCESSORY SHELVING PARTS

DELI-VUE SHELF CLIP



Item No: 80-10819-0101
Price \$4.57 each

DELI-VUE HOOK

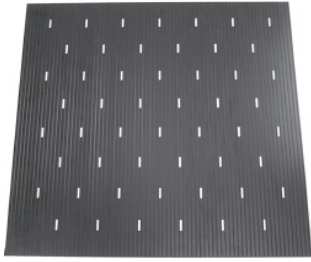


White 12"
Item No: 80-10078-1002
Price \$8.62 each
White 6"
Item No: 80-10078-1003
Price \$8.62 each
Black 12"
Item No: 80-10078-2002
Price \$8.62 each
Black 6"
Item No: 80-10078-2003
Price \$8.62 each

SECTION H

- √ ***GRAVITY FLOW MERCHANDISER***
- √ ***GRAVITY FLOW SHELVING***

SHELF GLIDE



GFS White 30"x24"
Item No: 20-12844-1010
Price \$42.40 each
GFS Black 30"x24"
Item No: 20-12844-2010
Price \$42.40 each
GFS White 30"x27"
Item No: 20-12844-1011
Price \$47.38 each
GFS Black 30"x27"
Item No: 20-12844-2011
Price \$47.38 each
GFS White 30"x36"
Item No: 20-12844-1012
Price \$65.36 each
GFS Black 30"x36"
Item No: 20-12844-2012
Price \$65.36 each

GFM White 30"x48"
Item No: 20-12845-1010
Price \$82.79 each
GFM Black 30"x48"
Item No: 20-12845-2010
Price \$82.79 each
GFM White 30"x60"
Item No: 20-12845-1011
Price \$106.81 each
GFM Black 30"x60"
Item No: 20-12845-2011
Price \$106.81 each
GFM White 30"x72"
Item No: 20-12845-1012
Price \$123.55 each
GFM Black 30"x72"
Item No: 20-12845-2012
Price \$123.55 each

FRONT PRODUCT STOP



White 23"
Item No: 80-13134-1001
Price \$8.83 each
White 24"
Item No: 80-13134-1002
Price \$8.83 each
White 26"
Item No: 80-13134-1003
Price \$8.83 each
White 28"
Item No: 80-13134-1004
Price \$8.83 each
White 30"
Item No: 80-13134-1005
Price \$8.83 each

Black 23"
Item No: 80-13134-2006
Price \$8.83 each
Black 24"
Item No: 80-13134-2007
Price \$8.83 each
Black 26"
Item No: 80-13134-2008
Price \$8.83 each
Black 28"
Item No: 80-13134-2009
Price \$8.83 each
Black 30"
Item No: 80-13134-2010
Price \$8.83 each

PRODUCT STOP
FRONT/SIDE



White/Left
Item No: 80-13055-1001
Price \$8.99 each
White/Right
Item No: 80-13055-1002
Price \$8.99 each
Black/Left
Item No: 80-13055-2001
Price \$8.99 each
Black/Right
Item No: 80-13055-2002
Price \$8.99 each

GFM ADJUSTING BRACKET



White/Left
Item No: 80-12925-1001
Price \$32.48 each
White/Right
Item No: 80-12925-1002
Price \$32.48 each
Black/Left
Item No: 80-12925-2001
Price \$32.48 each
Black/Right
Item No: 80-12925-2002
Price \$32.48 each

FRONT MILK STOP



2 1/4"
Item No: 80-13601-1009
Price \$23.93 each
3 1/4"
Item No: 80-13601-1010
Price \$26.92 each

GRAVITY FLOW SHELF

CALL FOR A QUOTE



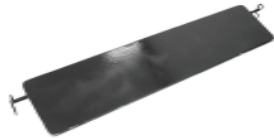
GFS
Item No: 85-13184-0000
GFM
Item No: 80-13182-0000

GFM S-Hook



Left
Item No: 80-13199-0001
Price \$11.96 each
Right
Item No: 80-13199-0002
Price \$11.96 each

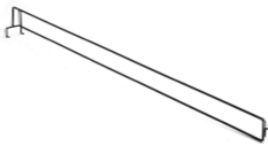
FLOOR SHIELD



White 23"
Item No: 80-13602-1001
Price \$41.90 each
White 24"
Item No: 80-13602-1002
Price \$41.90 each
White 26"
Item No: 80-13602-1003
Price \$41.90 each
White 28"
Item No: 80-13602-1004
Price \$41.90 each
White 30"
Item No: 80-13602-1005
Price \$41.90 each

Black 23"
Item No: 80-13602-2001
Price \$41.90 each
Black 24"
Item No: 80-13602-2002
Price \$41.90 each
Black 26"
Item No: 80-13602-2003
Price \$41.90 each
Black 28"
Item No: 80-13602-2004
Price \$41.90 each
Black 30"
Item No: 80-13602-2005
Price \$41.90 each

LANE DIVIDER SINGLE HOOK



24" White
Item No: 80-13603-1001
Price \$13.50 each
24" Black
Item No: 80-13603-2001
Price \$13.50 each
27" White
Item No: 80-13603-1002
Price \$14.07 each
27" Black
Item No: 80-13603-2002
Price \$14.07 each
36" White
Item No: 80-13603-1003
Price \$14.95 each
36" Black
Item No: 80-13603-2003
Price \$14.95 each

48" White
Item No: 80-13603-1004
Price \$14.95 each
48" Black
Item No: 80-13603-2004
Price \$14.95 each
60" White
Item No: 80-13603-1005
Price \$15.13 each
60" Black
H56 Item No: 80-13603-2005
Price \$15.13 each
72" White
H57 Item No: 80-13603-1006
Price \$15.13 each
72" Black
H58 Item No: 80-13603-2006
Price \$15.13 each

42" White
Item No: 80-13603-1007
Price \$15.73 each
42" Black
Item No: 80-13603-2007
Price \$15.73 each

HEAVY DUTY DIVIDER AVAILABLE UPON REQUEST



GFS/GFM PRODUCT**DIVIDER
WITH FRONT STOP**

3" Stop Height/24" White
Item No: 80-12838-1001
Price \$18.00 each

4" Stop Height/24" White
Item No: 80-12838-1002
Price \$18.00 each

5" Stop Height/24" White
Item No: 80-12838-1003
Price \$18.00 each

6" Stop Height/24" White
Item No: 80-12838-1004
Price \$18.00 each

3" Stop Height/27" White
Item No: 80-12838-1005
Price \$18.00 each

4" Stop Height/27" White
Item No: 80-12838-1006
Price \$18.00 each

5" Stop Height/27" White
Item No: 80-12838-1007
Price \$18.00 each

6" Stop Height/27" White
Item No: 80-12838-1008
Price \$18.00 each

3" Stop Height/36" White
Item No: 80-12838-1009
Price \$18.00 each

4" Stop Height/36" White
Item No: 80-12838-1010
Price \$19.15 each

5" Stop Height/36" White
Item No: 80-12838-1011
Price \$19.15 each

6" Stop Height/36" White
Item No: 80-12838-1012
Price \$19.15 each

3" Stop Height/48" White
Item No: 80-12838-1013
Price \$20.27 each

4" Stop Height/48" White
Item No: 80-12838-1014
Price \$20.27 each

5" Stop Height/48" White
Item No: 80-12838-1015
Price \$20.27 each

6" Stop Height/48" White
Item No: 80-12838-1016
Price \$20.27 each

3" Stop Height/60" White
Item No: 80-12838-1017
Price \$21.40 each

4" Stop Height/60" White
Item No: 80-12838-1018
Price \$21.40 each

5" Stop Height/60" White
Item No: 80-12838-1019
Price \$21.40 each

6" Stop Height/60" White
Item No: 80-12838-1020
Price \$21.40 each

3" Stop Height/72" White
Item No: 80-12838-1021
Price \$24.20 each

4" Stop Height/72" White
Item No: 80-12838-1022
Price \$24.20 each

5" Stop Height/72" White
Item No: 80-12838-1023
Price \$24.20 each

6" Stop Height/72" White
Item No: 80-12838-1024
Price \$24.20 each

3" Stop Height/42" White
Item No: 80-12838-1025
Price \$19.71 each

4" Stop Height/42" White
Item No: 80-12838-1026
Price \$19.71 each

5" Stop Height/42" White
Item No: 80-12838-1027
Price \$19.69 each

6" Stop Height/42" White
Item No: 80-12838-1028
Price \$19.71 each

3" Stop Height/24" Black
Item No: 80-12838-2001
Price \$19.15 each

4" Stop Height/24" Black
Item No: 80-12838-2002
Price \$19.15 each

5" Stop Height/24" Black
Item No: 80-12838-2003
Price \$19.15 each

6" Stop Height/24" Black
Item No: 80-12838-2004
Price \$19.15 each

3" Stop Height/27" Black
Item No: 80-12838-2005
Price \$19.15 each

4" Stop Height/27" Black
Item No: 80-12838-2006
Price \$19.15 each

5" Stop Height/27" Black
Item No: 80-12838-2007
Price \$19.15 each

6" Stop Height/27" Black
Item No: 80-12838-2008
Price \$19.15 each

3" Stop Height/36" Black
Item No: 80-12838-2009
Price \$20.27 each

4" Stop Height/36" Black
Item No: 80-12838-2010
Price \$20.27 each

5" Stop Height/36" Black
Item No: 80-12838-2011
Price \$20.27 each

6" Stop Height/36" Black
Item No: 80-12838-2012
Price \$20.27 each

3" Stop Height/48" Black
Item No: 80-12838-2013
Price \$21.40 each

4" Stop Height/48" Black
Item No: 80-12838-2014
Price \$21.40 each

5" Stop Height/48" Black
Item No: 80-12838-2015
Price \$21.40 each

6" Stop Height/48" Black
Item No: 80-12838-2016
Price \$21.40 each

3" Stop Height/60" Black
Item No: 80-12838-2017
Price \$21.40 each

4" Stop Height/60" Black
Item No: 80-12838-2018
Price \$22.49 each

5" Stop Height/60" Black
Item No: 80-12838-2019
Price \$22.49 each

6" Stop Height/60" Black
Item No: 80-12838-2020
Price \$22.49 each

3" Stop Height/72" Black
Item No: 80-12838-2021
Price \$25.30 each

4" Stop Height/72" Black
Item No: 80-12838-2022
Price \$25.30 each

5" Stop Height/72" Black
Item No: 80-12838-2023
Price \$25.30 each

6" Stop Height/72" Black
Item No: 80-12838-2024
Price \$25.30 each

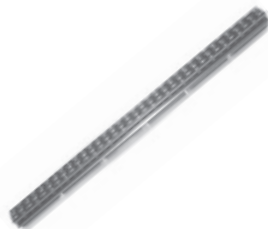
3" Stop Height/42" Black
Item No: 80-12838-2025
Price \$20.85 each

4" Stop Height/42" Black
Item No: 80-12838-2026
Price \$20.85 each

5" Stop Height/42" Black
Item No: 80-12838-2027
Price \$20.85 each

6" Stop Height/42" Black
Item No: 80-12838-2028
Price \$20.85 each

**GROOVED ROLLER
"PVC"**



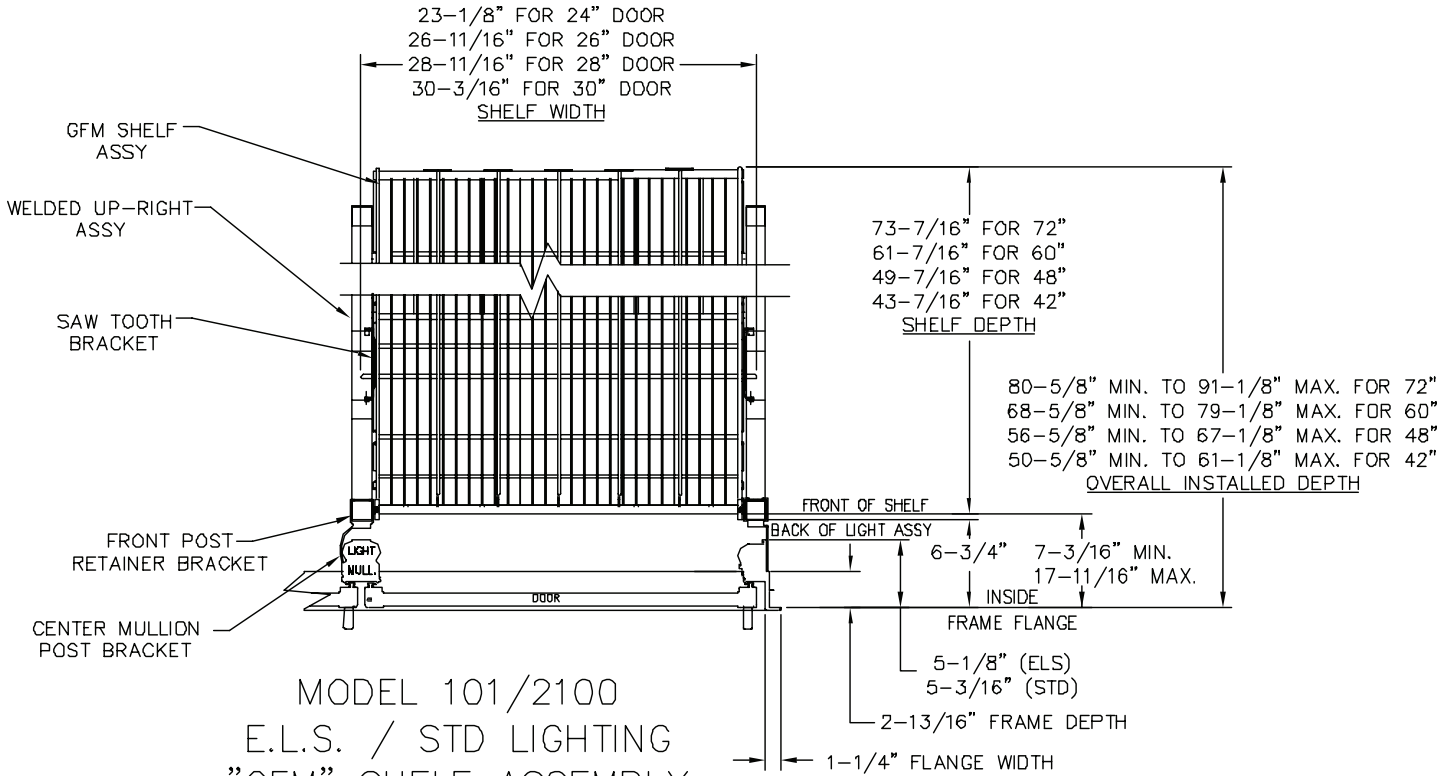
24"
Item No: 20-13592-2001
Price \$22.45 each
27"
Item No: 20-13592-2002
Price \$25.26 each
36"
Item No: 20-13592-2003
Price \$33.67 each
42"
Item No: 20-13592-2004
Price \$39.29 each
48"
Item No: 20-13592-2005
Price \$56.10 each
60"
Item No: 20-13592-2006
Price \$56.10 each
72"
Item No: 20-13592-2007
Price \$67.33 each

**CASE ROLLER "PVC"
PLASTIC**



24"
Item No: 20-13537-2001
Price \$22.45 each
27"
Item No: 20-13537-2002
Price \$25.26 each
36"
Item No: 20-13537-2003
Price \$33.67 each
42"
Item No: 20-13537-2004
Price \$39.29 each
48"
Item No: 20-13537-2005
Price \$44.90 each
60"
Item No: 20-13537-2006
Price \$56.10 each
72"
Item No: 20-13537-2007
Price \$67.33 each

101-2100 GFM-ELS/STD

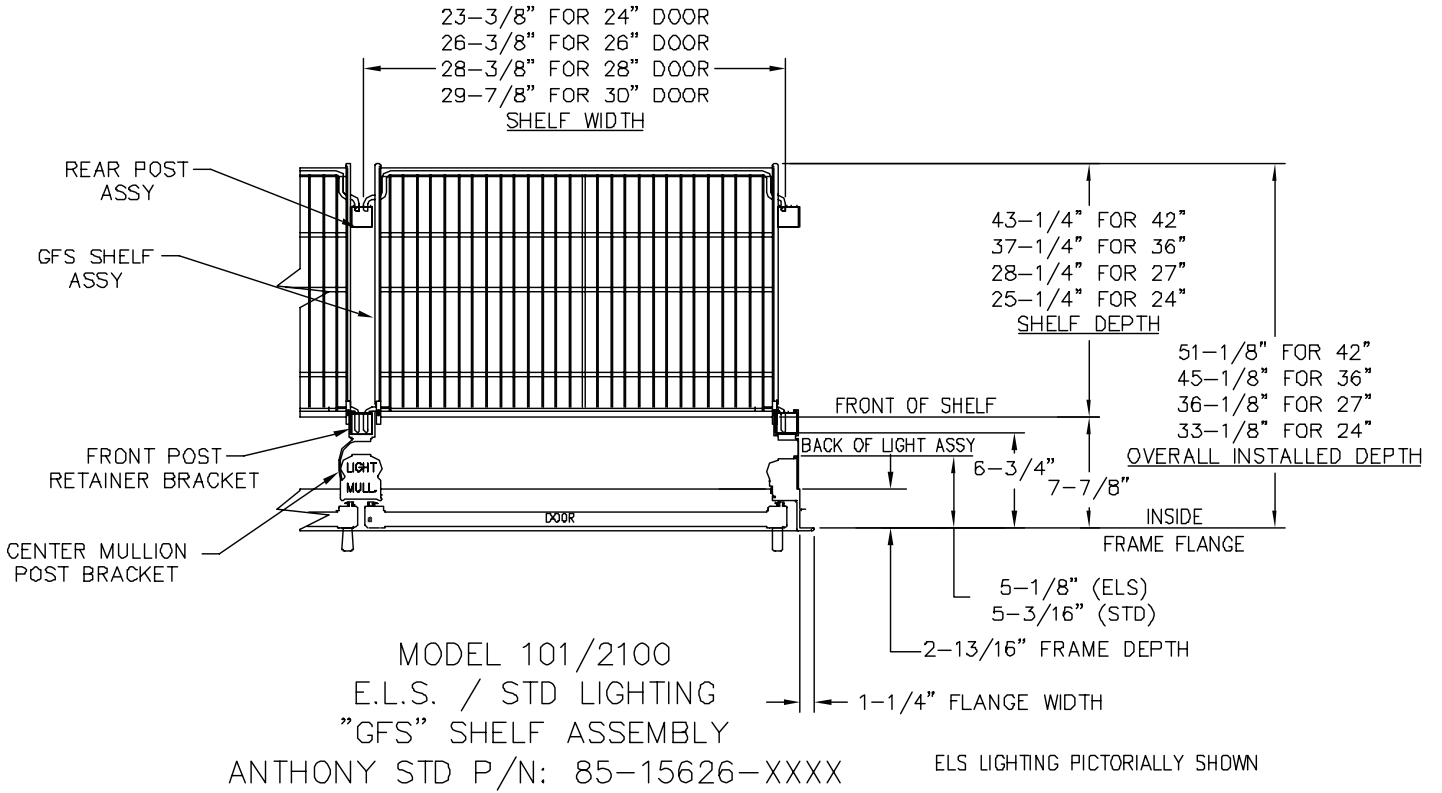


MODEL 101/2100
 E.L.S. / STD LIGHTING
 "GFM" SHELF ASSEMBLY
 ANTHONY STD P/N: 80-13182-XXXX

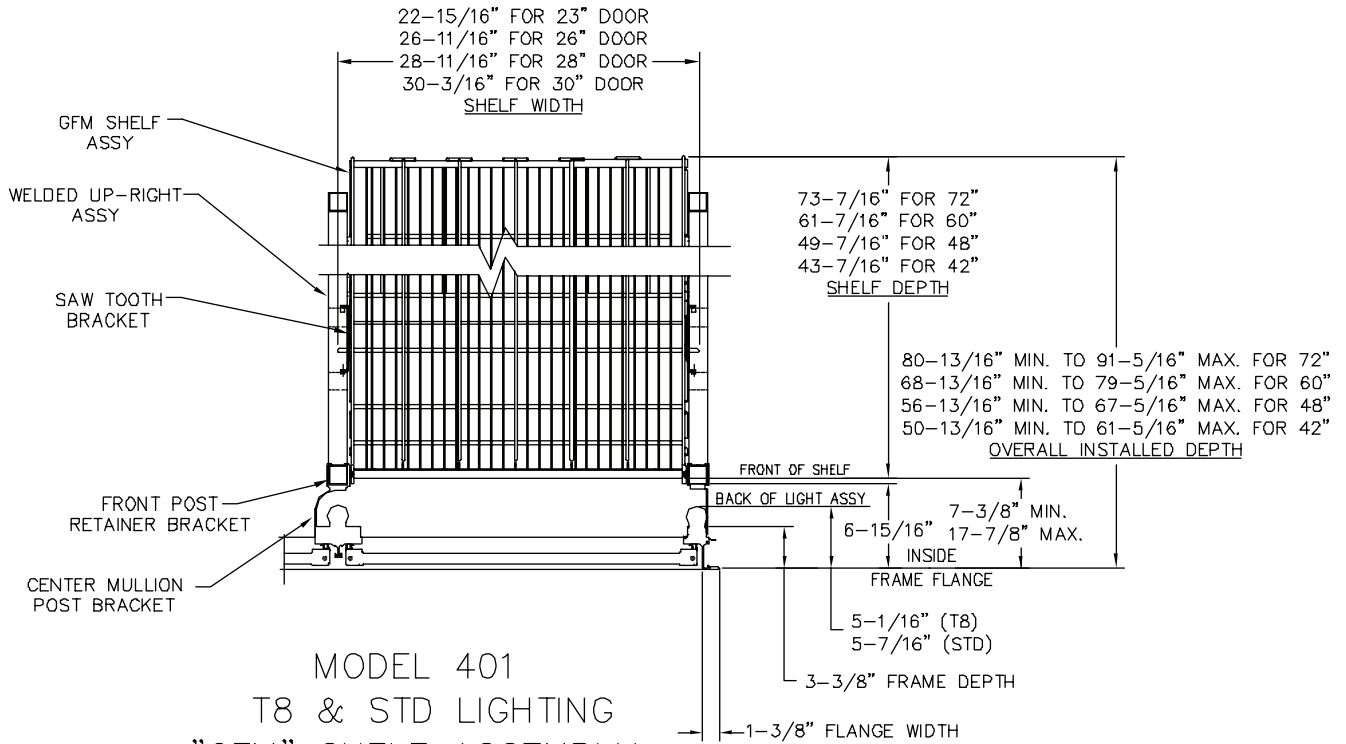
ELS LIGHTING PICTORIALLY SHOWN



101-2100 GFS-ELS/STD



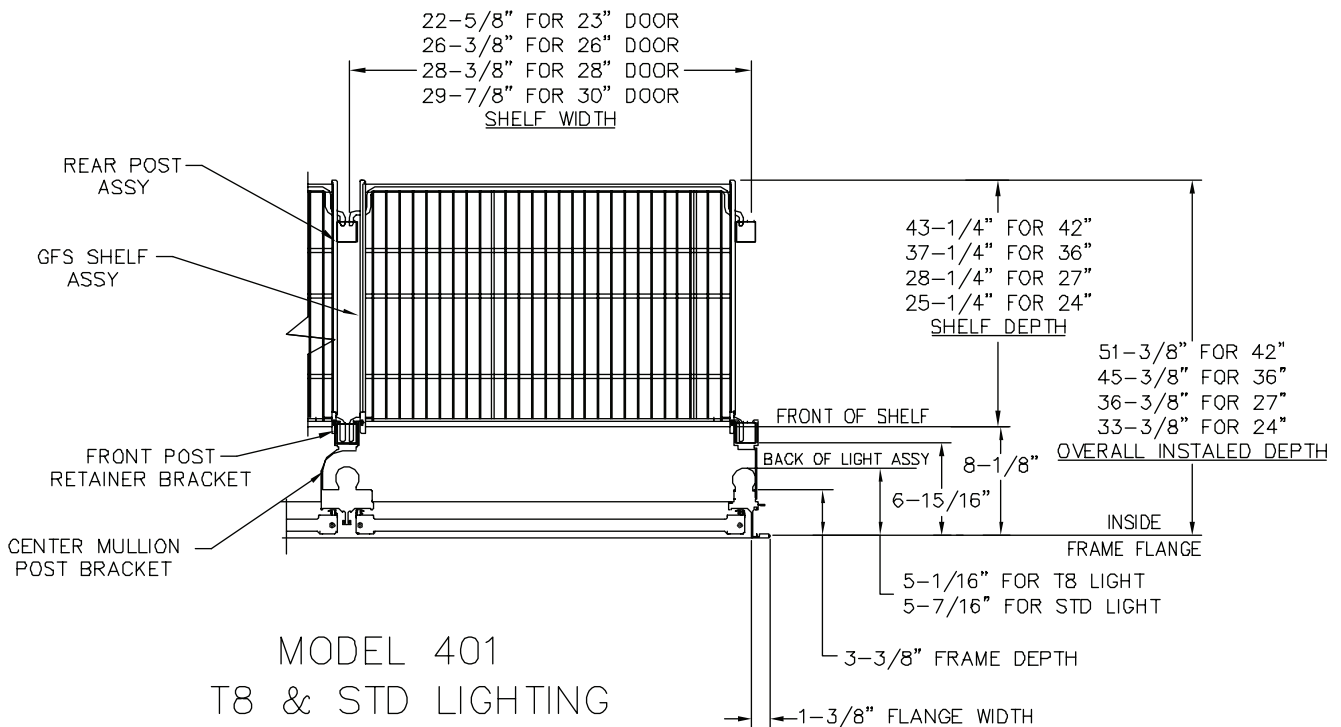
401 GFM-STD



MODEL 401
 T8 & STD LIGHTING
 "GFM" SHELF ASSEMBLY
 ANTHONY STD P/N : 80-13182-XXXX

T8 LIGHTING PICTORIALLY SHOWN

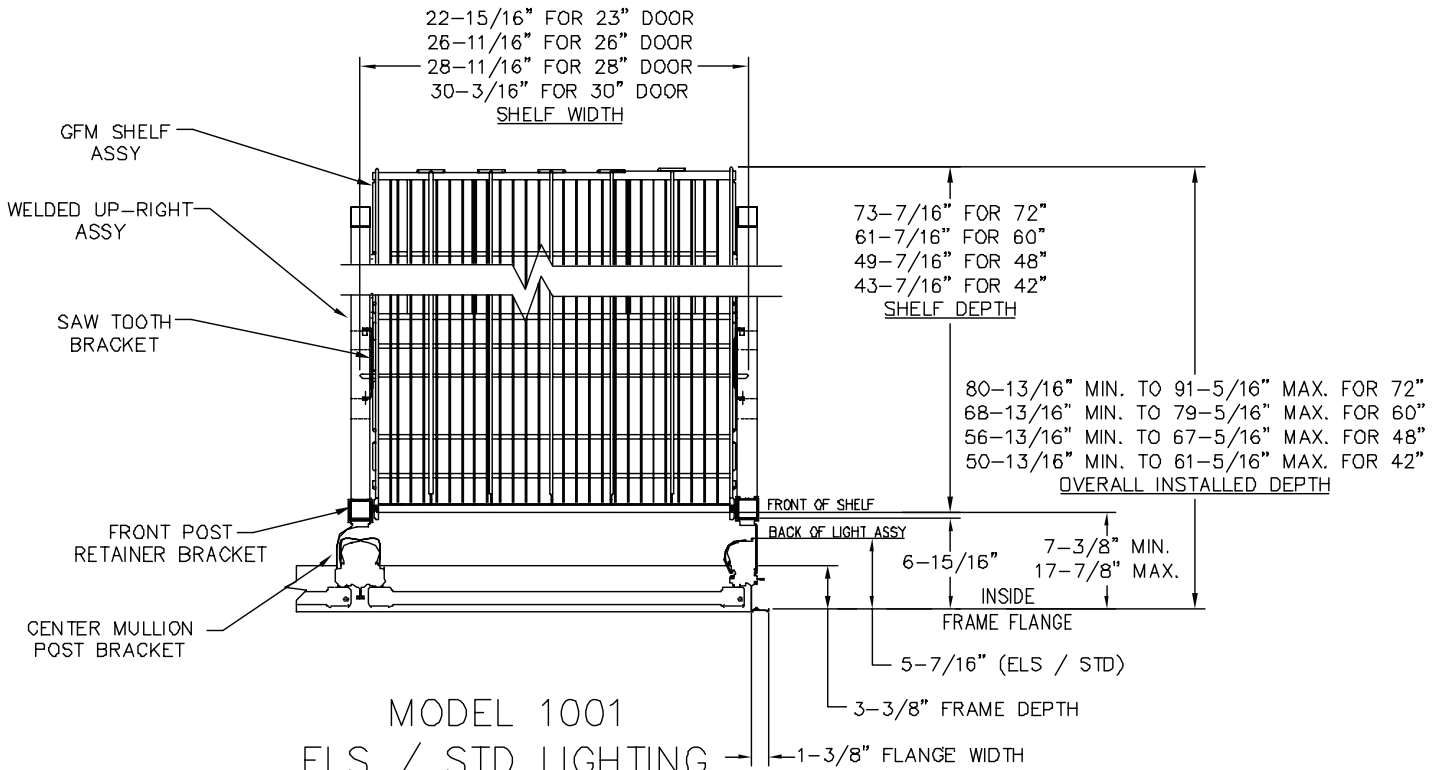
401 GFS-STD



MODEL 401
 T8 & STD LIGHTING
 "GFS" SHELF ASSEMBLY
 ANTHONY STD P/N: 85-15626-XXXX

T8 LIGHTING PICTORIALLY SHOWN

1001 GFM-ELS/STD

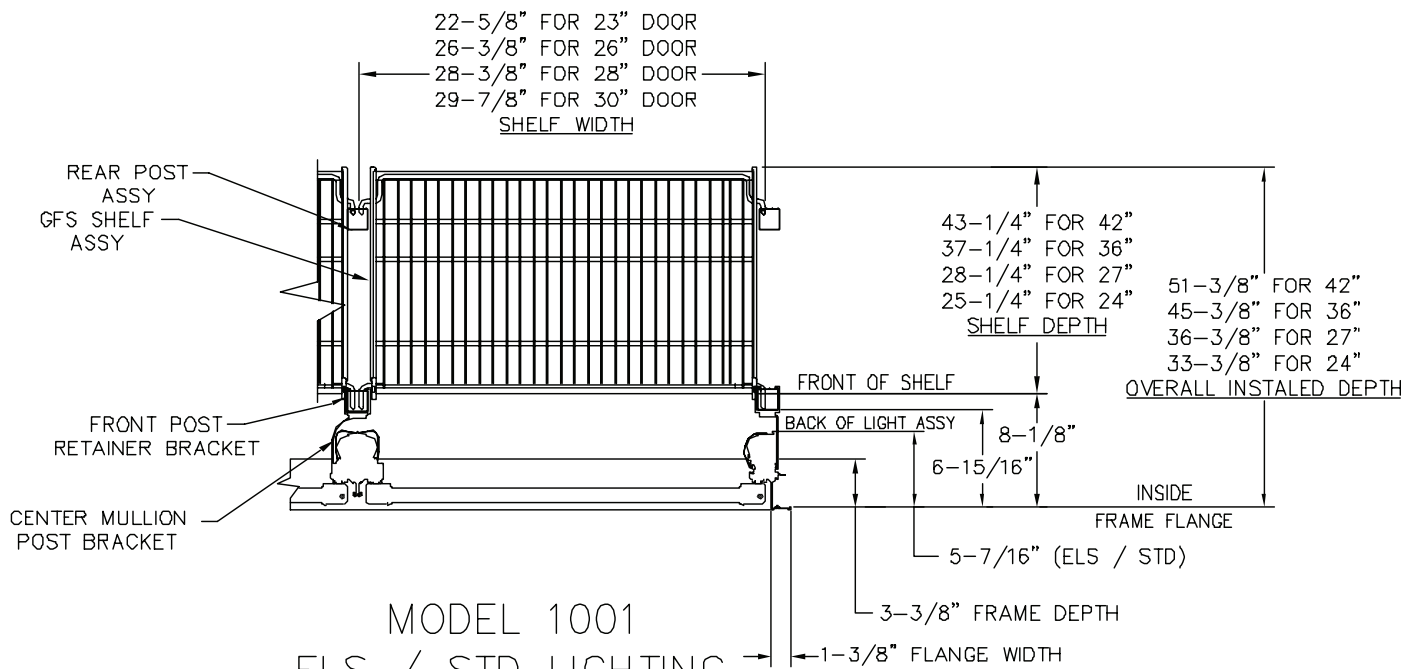


MODEL 1001
 ELS / STD LIGHTING
 "GFM" SHELF ASSEMBLY
 ANTHONY STD P/N: 80-13182-XXXX

ELS LIGHTING PICTORIALY SHOWN



1001 GFS-ELS/STD

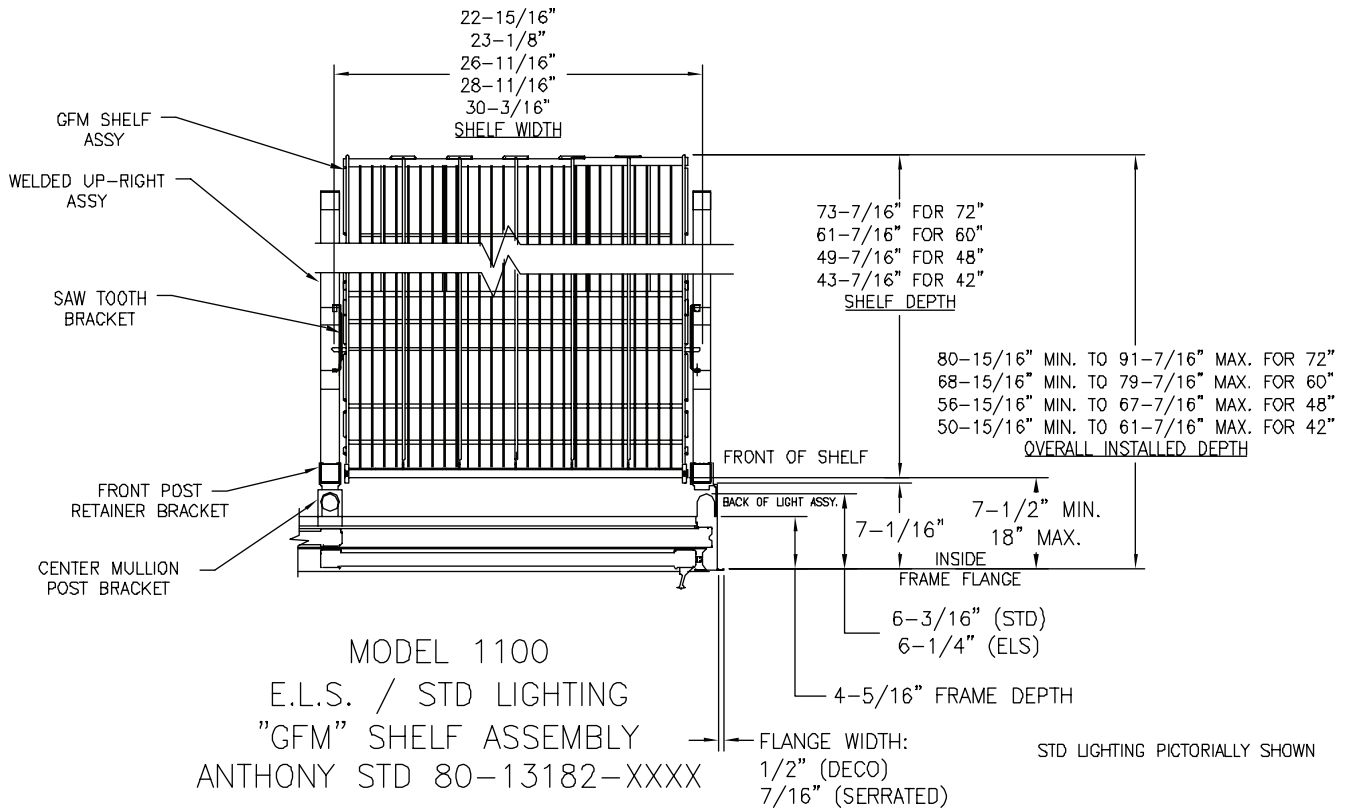


MODEL 1001
 ELS / STD LIGHTING
 "GFS" SHELF ASSEMBLY
 ANTHONY STD P/N: 85-15626-XXXX

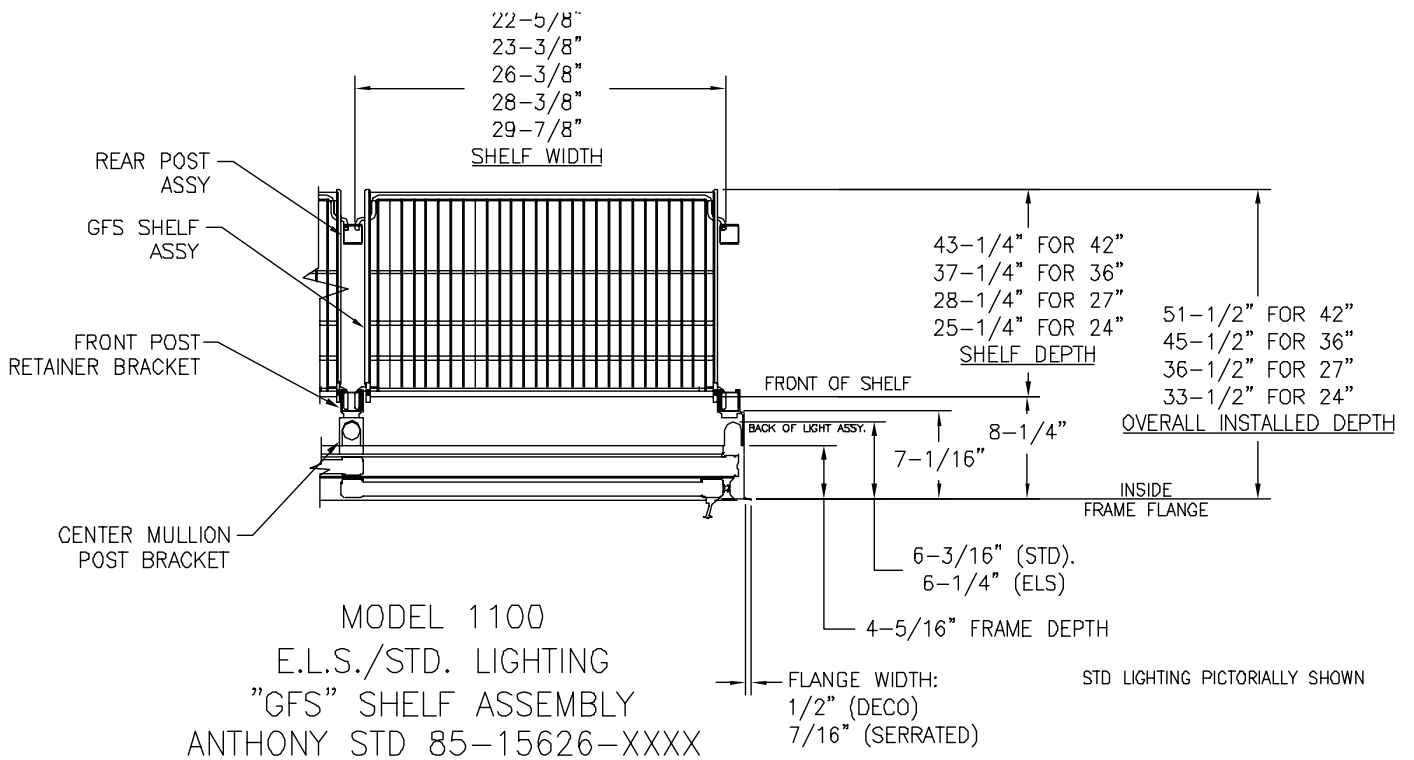
ELS LIGHTING PICTORIALY SHOWN



1100 GFM-/ELS/STD



1100 GFS-ELS/STD



H

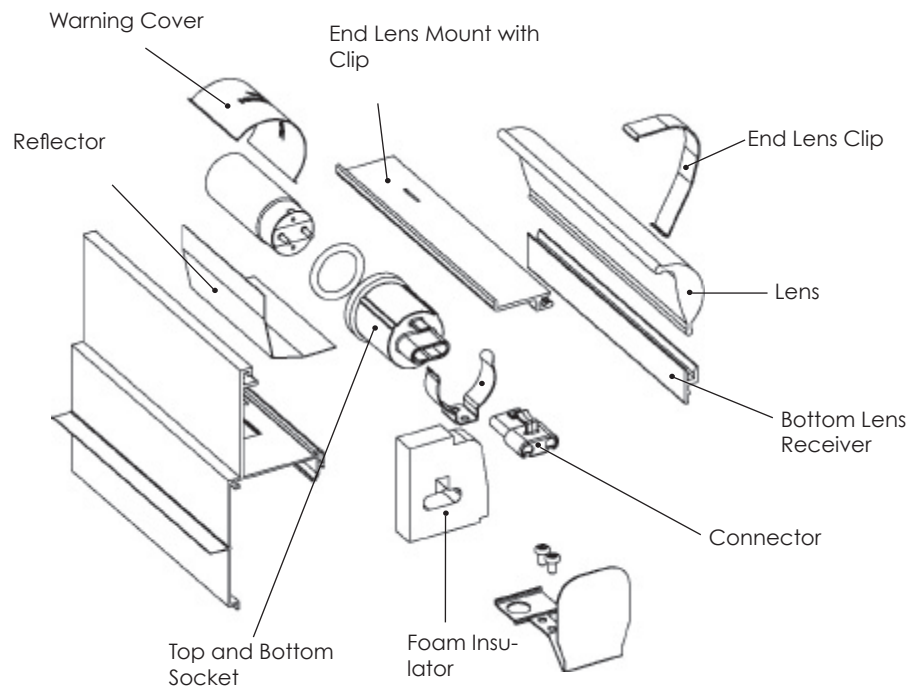
SECTION J

PROVIDE ANTHONY W/O #
(Located on the UL Label on top of the frame)

√ **CONVENTIONAL LIGHTING**

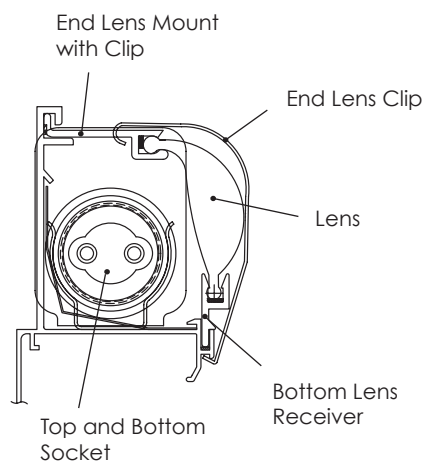
√ **ELS LIGHTING**

CONNEXION II END JAMB VIEW

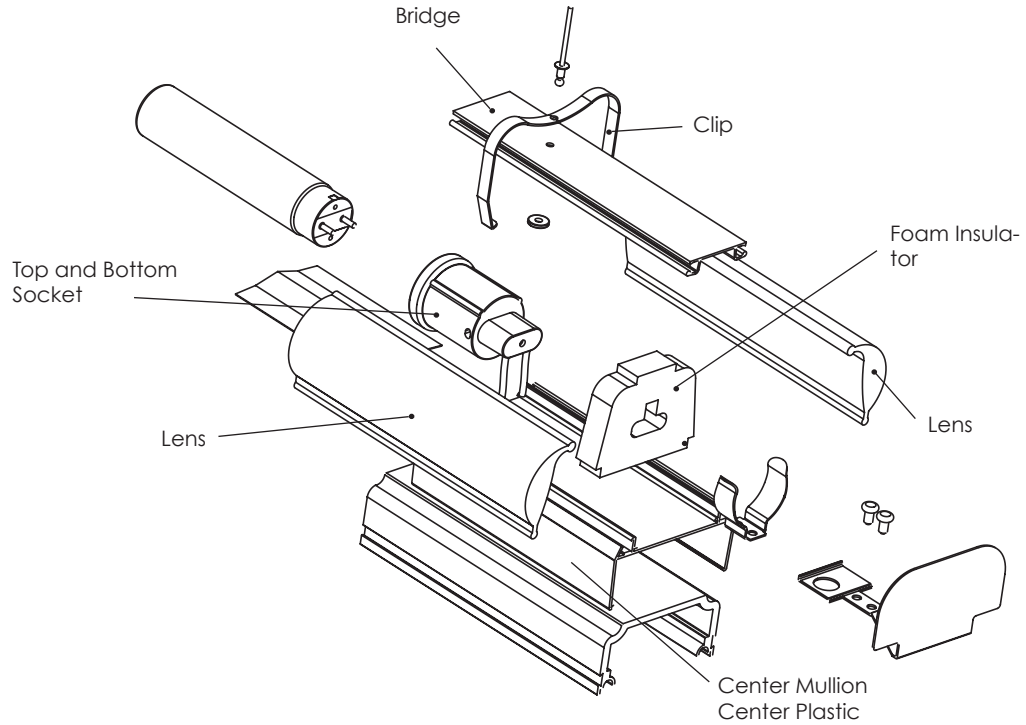


*** Foam insulators must be replaced if they have been damaged or are missing.**

END VIEW - END MULLION

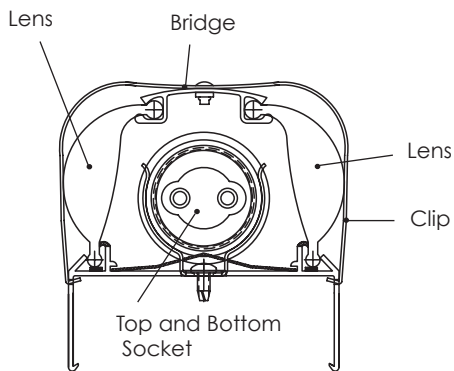


CONNEXION III CENTER MULLION VIEW

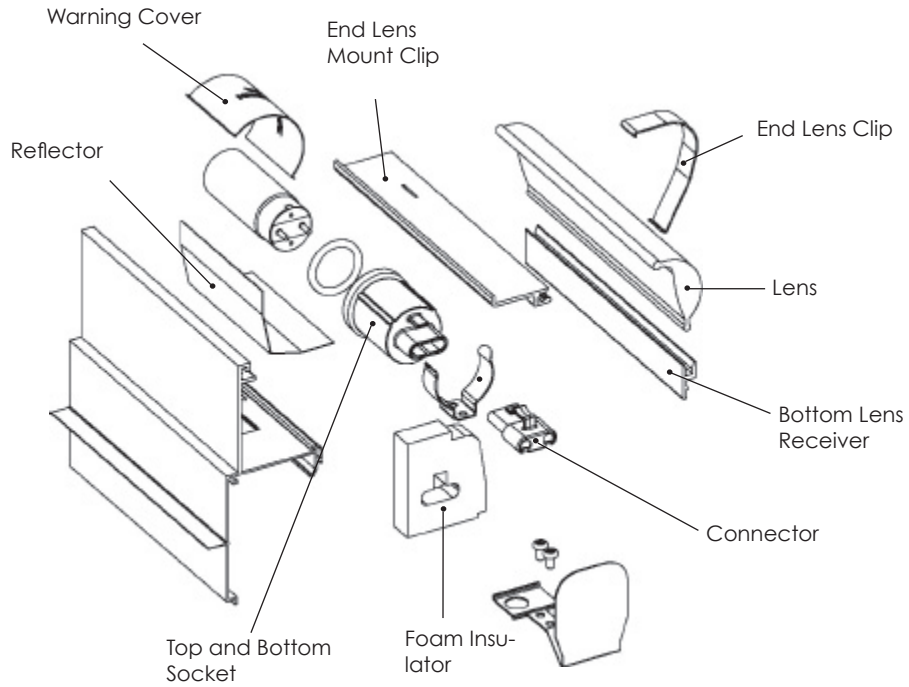


*** Foam insulators must be replaced if they have been damaged or are missing.**

END VIEW - CENTER MULLION

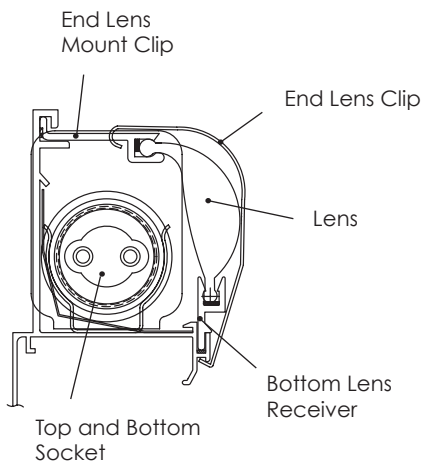


CONNEXION III END JAMB VIEW



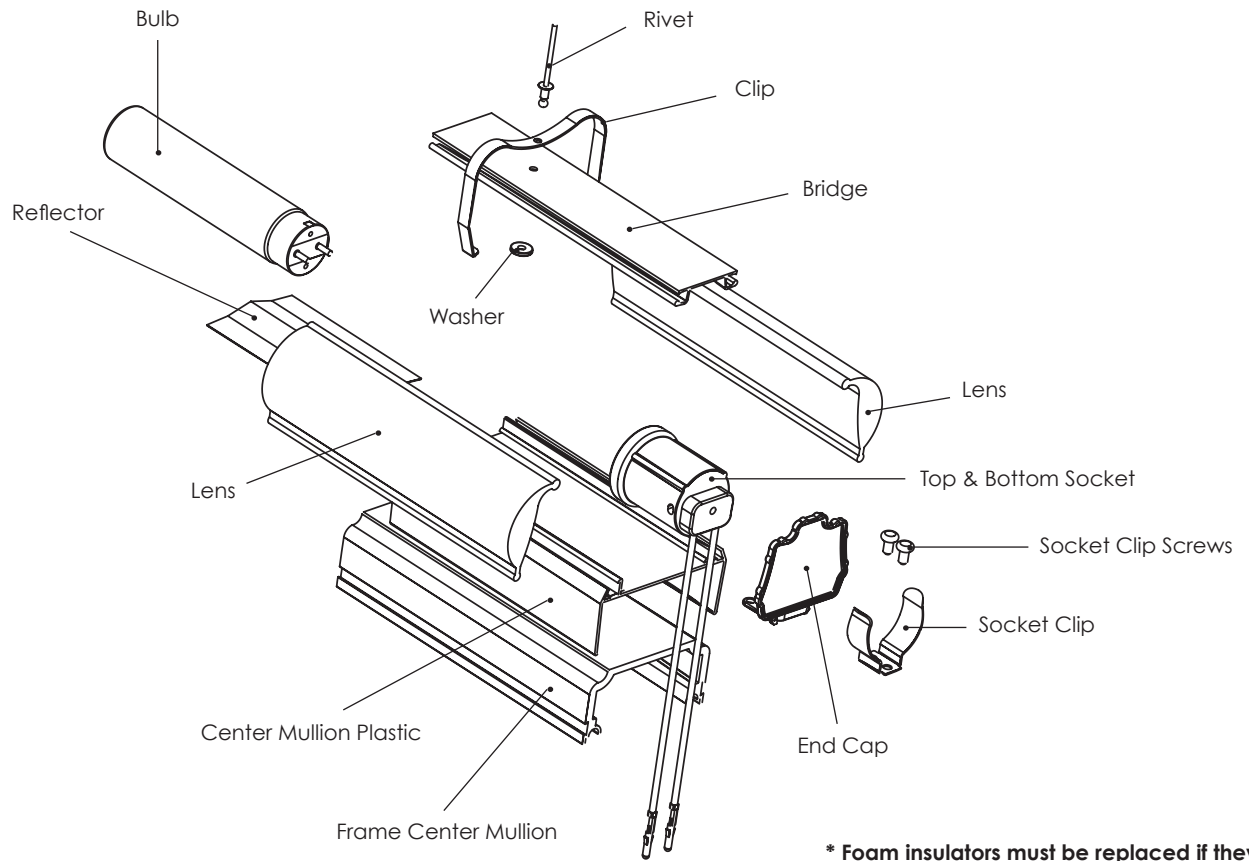
*** Foam insulators must be replaced if they have been damaged or are missing.**

END VIEW - END MULLION



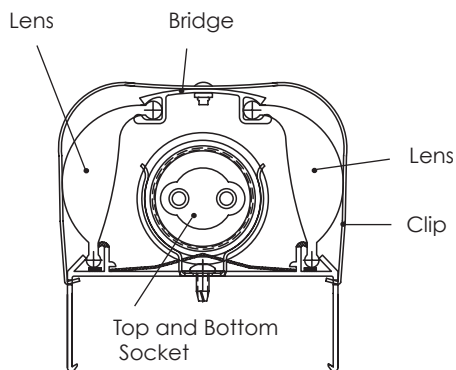
J

CONNEXION IV CENTER MULLION VIEW

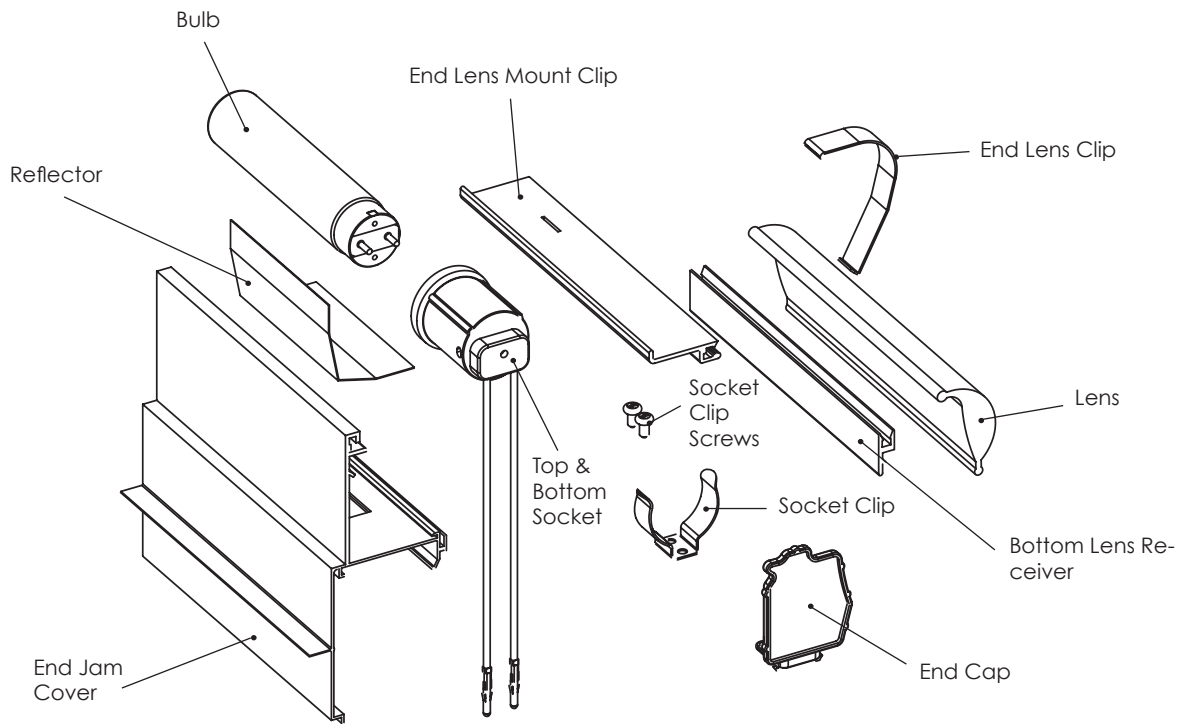


*** Foam insulators must be replaced if they have been damaged or are missing.**

END VIEW - CENTER MULLION

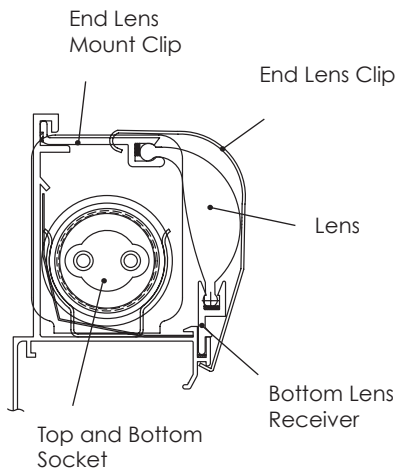


CONNEXION IV END JAMB VIEW



*** Foam insulators must be replaced if they have been damaged or are missing.**

END VIEW - END MULLION



J

OPTICAL LENS
THRU 2003
SMOOTH FINISH



71 5/16"
Item No: 20-11304-0003
Price \$18.56 per foot
61 5/16"
Item No: 20-11304-0002
Price \$18.56 per foot

CONNEXION
LENS BRIDGE



Clear
Item No: 20-12570-0067
Price \$4.99 per foot
Black
Item No: 20-12570-1098
Price \$4.99 per foot

BRIDGE LENS CENTER ASSM. WITH RIDGES



48"
Item No: 02-14786-0004
Price \$55.94 each
60"
Item No: 02-14786-0005
Price \$63.33 each
72"
Item No: 02-14786-0006
Price \$67.18 each

BRIDGE LENS END ASSM. WITH RIDGES



48"
Item No: 02-14787-0004
Price \$54.75 each list
60"
Item No: 02-14787-0005
Price \$60.11 each list
72"
Item No: 02-14787-0006
Price \$65.57 each list

CENTER MULLION
LENS CLIP
PRIOR TO 1994



Item No: 15-12325-0001
Price \$7.72 each

CENTER MULLION
LENS CLIP
BEGINNING 1994



Item No: 15-12445-0001
Price \$5.70 each

END MULLION LENS CLIP
1 13/16" HEIGHT



Item No: 15-10131-0001
Price \$4.86 each

END CLIP
2 5/16" HEIGHT



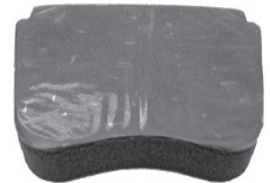
Item No: 15-12577-0001
Price \$4.85 each

LAMP END
INSULATOR FOAM



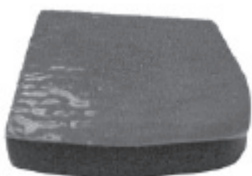
Item No: 90-11686-0002
Price \$3.92 each

CENTER MULLION LENS
FILLER CAP
(FOAM)



Item No: 70-14564-0002
Price \$7.72 each

END LENS FILLER CAP
(FOAM)



Item No: 70-11859-0001
Price \$4.19 each

BI-PIN SOCKET



Bi-Pin Socket
Item No: 60-14180-0001
Price \$4.64 each
Bracket
Item No: 15-10728-0001
Price \$4.64 each

CONNEXION SOCKET
FOR TOP OR BOTTOM



Item No: 60-14659-0001
Price \$26.30 each

CLIP HOLDER FOR
CONNEXION SOCKET



Item No: 15-12449-0001
Price \$5.11 each
Screws
Item No: 40-12665-3003
Price \$4.46 each

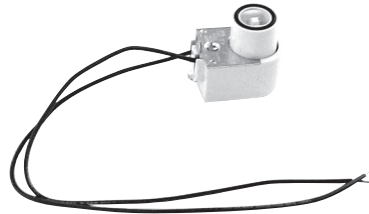


T-8 LAMP



T8 - 24"
Item No: 60-11003-0001
Price \$25.28 each
T8 - 36"
Item No: 60-11003-0002
Price \$25.75 each
T8 - 48"
Item No: 60-11003-0003
Price \$28.27 each
T8 - 60" 58 watts
Item No: 60-11003-0014
Price \$32.98 each
T8 - 72"
Item No: 60-11003-0010
Price \$34.99 each
T8 - 72" - SPX 35
Item No: 60-11003-0009
Price \$34.99 each

**TOP LT/NT
LAMP SOCKET**



Item No: 60-11021-0001
Price \$14.27 each

TOP LAMP SOCKET



Item No: 60-11021-0013
Price \$14.27 each

**BOTTOM LT/NT
LAMP SOCKET**



Item No: 60-11021-0003
Price \$12.89 each

BOTTOM LAMP SOCKET



Item No: 60-11021-0014
Price \$12.89 each

LAMP SHIELD END CAP



T-10 LT Dura Lamp
Shield End Cap for VHO
Item No: 20-11315-0001
Price \$3.30 each
Recessed Pin Lamp
Shield Cap NT
Item No: 20-11330-0001
Price \$3.26 each
Single Pins Dura Lamp
Shield End Cap NT
Item No: 20-11331-0001
Price \$3.30 each

T-8 END CAPS



Item No: 20-14183-0001
Price \$3.30 each list

T-8 LAMP SHIELD



60" Lamp
Item No: 20-11989-0060
Price \$34.94 each
72" Lamp
Item No: 20-11989-0072
Price \$34.94 each

**T-10 LAMP SHIELD
LOW TEMP**



48" Lamp
Item No: 20-11224-0002
Price \$27.36 each
60" Lamp
Item No: 20-11224-0003
Price \$35.16 each
72" Lamp
Item No: 20-11224-0004
Price \$41.57 each

**T-12 LAMP SHIELD
NORMAL TEMP**



48" Lamp
Item No: 20-11223-0001
Price \$21.52 each
60" Lamp
Item No: 20-11223-0002
Price \$26.74 each
72" Lamp
Item No: 20-11223-0003
Price \$32.57 each

T-12 CHWO LAMP (800MA)



48" Lamp
Item No: 60-11005-0004
Price \$47.30 each
60" Lamp
Item No: 60-11005-0005
Price \$41.08 each
72" Lamp
Item No: 60-11005-0006
Price \$50.03 each

**T-10 LAMP (1500MA) WITHOUT GLASS JACKET
LOW TEMP**



48" Lamp
Item No: 60-11004-0001
Price \$90.55 each
60" Lamp
Item No: 60-11004-0002
Price \$71.18 each
72" Lamp
Item No: 60-11004-0003
Price \$73.65 each

J

CONVENTIONAL LIGHTING PARTS

**RECESSED LAMP
GUARD**



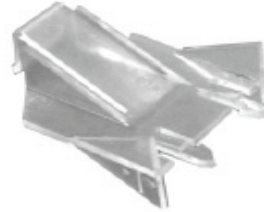
60"
Item No: 20-12134-0001
Price \$45.23 each
72"
Item No: 20-12134-0002
Price \$45.23 each

**RECESSED LAMP
GUARD CLIP**



Item No: 15-10897-0001
Price \$2.49 each

LEXAN SAFETY CLIP

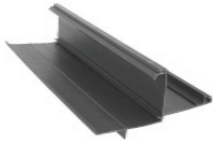


Item No: 20-11391-0001
Price \$2.49 each

LIGHTING PARTS FOR MODEL 101 (PLEASE CALL FACTORY)

PROVIDE ANTHONY W/O # OF THE FRAME

**CONNEXION ELS
END JAMB LIGHT PLA-
SITC**



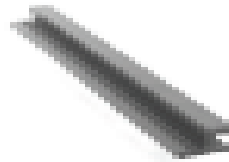
Entire Light Assembly
Item No: 02-12671-1059
Price \$123.15 each
Light Plastic
Item No: 20-12671-1059
Price \$6.78 per foot

**CONNEXION ELS
END JAMB LENS
RETAINER "A"**



Item No: 20-12569-1020
Price \$3.18 per foot

**CONNEXION ELS
END JAMB LENS
RETAINER "B"**



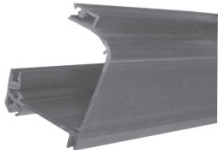
Item No: 20-14224-1020
Price \$4.38 per foot

**CONNEXION ELS
MULLION COVER
LIGHT PLASTIC**



Entire Light Assembly
Item No: 02-12640-1043
Price \$124.92 each
Light Plastic
Item No: 20-12640-1024
Price \$6.23 per foot

**ELS END MULLION
LENS RETAINER COVER**



Entire Light Assembly
Item No: 02-10782-1020
Price \$116.50 each
Lens Cover
Item No: 20-10782-1020
Price \$8.39 per foot

**ELS MULLION COVER
LIGHT PLASTIC**



Entire Light Assembly
Item No: 02-12192-1020
Price \$114.68 each
Light Plastic
Item No: 20-12640-1024
Price \$6.23 per foot

**VINYL MULLION
RECESSED LIGHT
CHANNEL**

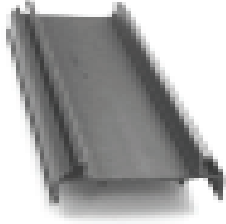


Entire Light Assembly
Item No: 02-10931-1064
Price \$106.27 each
Light Plastic
Item No: 20-10931-1064
Price \$9.95 per foot

Note: All Connexion orders will require a "Molex" Pin Extractor Tool. The item number is 97-13641-0001

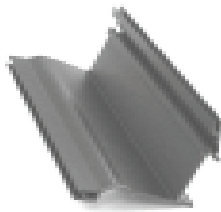
LIGHTING PARTS FOR MODEL 1001

ELS CENTER MULLION LIGHT CHANNEL



Entire Light Assembly
Item No: 02-12523-1024
Price \$114.68 each
Light Channel
Item No: 20-12523-1024
Price \$7.99 per foot

ELS END JAMB LIGHT CHANNEL



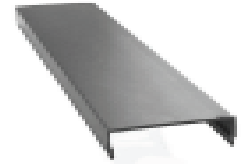
Entire Light Assembly
Item No: 02-10047-1024
Price \$116.50 each
Light Channel
Item No: 20-10047-1024
Price \$7.08 per foot

END JAMB LIGHT CHANNEL



Entire Light Assembly
Item No: 02-11310-1024
Price \$102.40 each
Light Channel
Item No: 20-11310-1024
Price \$5.02 per foot

CENTER MULLION LIGHT CHANNEL



Entire Light Assembly
Item No: 02-11311-1024
Price \$104.36 each
Light Channel
Item No: 20-11311-1024
Price \$5.02 per foot

LIGHTING PARTS FOR MODEL 401

MULLION LIGHT PLASTIC LOW TEMP



Entire Light Assembly
Item No: 02-11396-1050
Price \$104.36 each
Light Plastic
Item No: 20-11396-1050
Price \$13.68 per foot

END JAMB LIGHT PLASTIC



Entire Light Assembly
Item No: 02-11334-1050
Price \$102.40 each
Light Plastic
Item No: 20-11334-1050
Price \$8.10 per foot

MAGNETIC BALLAST

120 VOLT/60 HERTZ MAGNETIC BALLAST T10/T12

Normal or Low Temp Ballast

1 or 2 Light
Pre-Wired or Remote
48", 60", and 72"
Item No: 60-14728-0001
Price \$192.06 each



ELS SOLID STATE BALLAST

120 Volt ELS Ballast	Item Number	Price
1x60 with Molex Connector 40 watt	60-13159-0002	\$166.97 each
1x60 with Molex Connector 58 watt	60-14693-0005	\$178.36 each
2x60 with Molex Connector 40 watt	60-13078-0002	\$178.36 each
2x60 with Molex Connector 58 watt	60-14693-0005	\$178.36 each
1x72 with Molex Connector	60-14693-0005	\$178.36 each
2x72 with Molex Connector	60-14693-0005	\$178.36 each

220 Volt ELS Ballast	Item Number	Price
1x48 with Molex Connector	60-14762-0001	\$166.97 each
2x48 with Molex Connector	60-14763-0001	\$178.36 each
1x60 with Molex Connector	60-14762-0004	\$166.97 each
2x60 with Molex Connector	60-14763-0004	\$178.36 each
1x72 with Molex Connector	60-14762-0003	\$166.97 each
2x72 with Molex Connector	60-14763-0003	\$178.36 each



Power input adaptor for Connexion	60-15703-0001	\$ 11.25 each
Power output adaptor for Connexion one lamp	60-15704-0001	\$ 12.74 each
Power output adaptor for Connexion two lamp	60-15705-0001	\$ 13.37 each



**Connexion
Large Plug**



**Molex Connector
Small Plug**

REMOTE END JAMB NON-PREWIRED



(LEFT/SINGLE LAMP)	Item Number	Price
24" Remote ELS End Light Fixture with Separate Ballast	01-12292-1111	\$393.05 each
36" Remote ELS End Light Fixture with Separate Ballast	01-12292-1211	\$408.34 each
48" Remote ELS End Light Fixture with Separate Ballast	01-12292-1311	\$426.83 each
60" Remote ELS End Light Fixture with Separate Ballast	01-12292-1411	\$443.45 each
72" Remote ELS End Light Fixture with Separate Ballast	01-12292-1511	\$464.11 each

(RIGHT/SINGLE LAMP)	Item Number	Price
24" Remote ELS End Light Fixture with Separate Ballast	01-12292-1112	\$393.05 each
36" Remote ELS End Light Fixture with Separate Ballast	01-12292-1212	\$408.34 each
48" Remote ELS End Light Fixture with Separate Ballast	01-12292-1312	\$426.83 each
60" Remote ELS End Light Fixture with Separate Ballast	01-12292-1412	\$443.45 each
72" Remote ELS End Light Fixture with Separate Ballast	01-12292-1512	\$464.11 each

REMOTE CENTER MULLION NON-PREWIRED



	Item Number	Price
24" Remote ELS Center Light Fixture with Separate Ballast	01-12291-1111	\$411.48 each
36" Remote ELS Center Light Fixture with Separate Ballast	01-12291-1211	\$435.67 each
48" Remote ELS Center Light Fixture with Separate Ballast	01-12291-1311	\$456.76 each
60" Remote ELS Center Light Fixture with Separate Ballast	01-12291-1411	\$482.97 each
72" Remote ELS Center Light Fixture with Separate Ballast	01-12291-1511	\$510.82 each

REMOTE BALLAST CAN AND PARTS

REMOTE BALLAST CAN



Item No: 15-12314-0001
Price \$39.86 each

REMOTE BALLAST CAN

15" Can
Item No: 15-11202-0001
Price \$16.33 each
18" Can
Item No: 15-11202-0002
Price \$17.56 each

#8-32 ZINC NUT



Item No: 40-11076-1002
Price \$1.04 each

#10- 1/2 HEX ZINC SCREW WITH WASHER



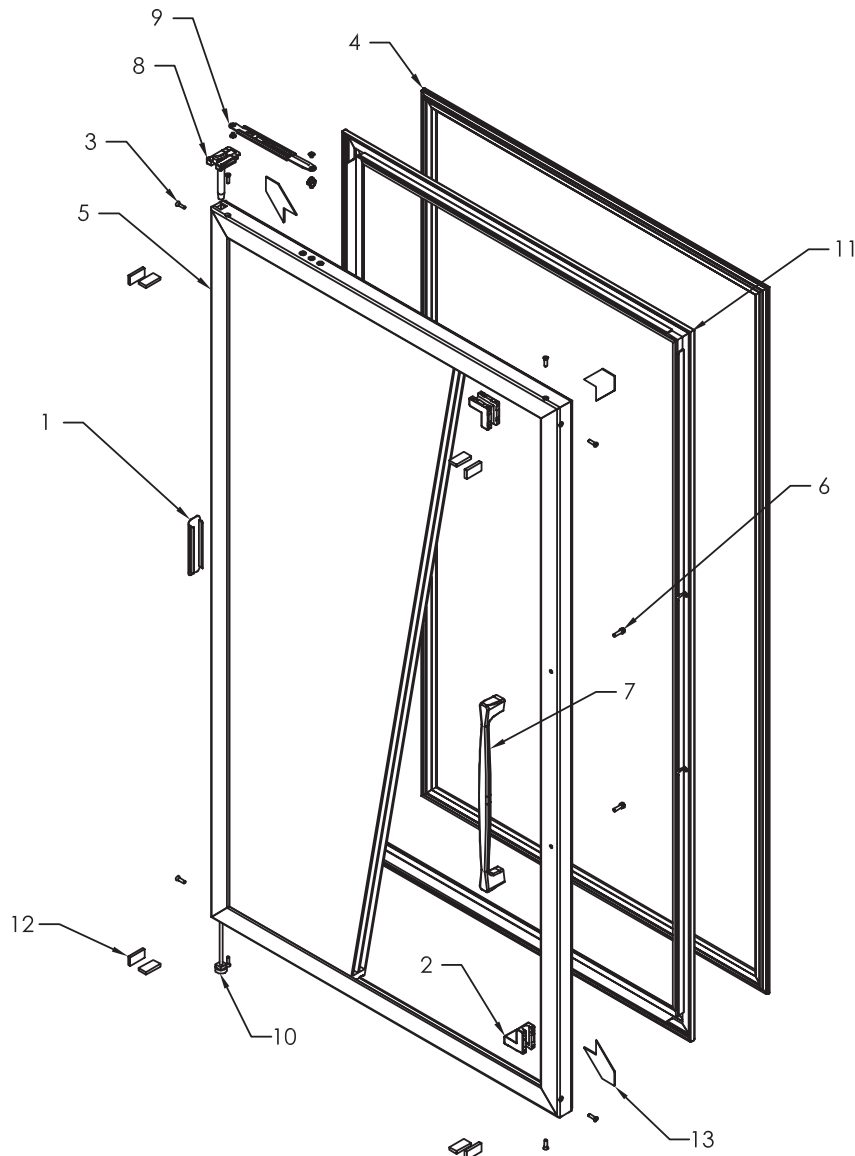
Item No: 40-11012-1007
Price \$.52 each

SECTION K

DOOR PARTS

PROVIDE ANTHONY W/O #
(Located on the UL Label on top of the door)

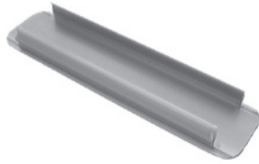
K



- 1: Access Hole Cover
- 2: Corner Piece
- 3: Corner Piece Screw
- 4: Door Gasket
- 5: Door Rail
- 6: Handle Screw
- 7: Handle
- 8: Hinge Pin
- 9: Hold Open
- 10: Torque Rod
- 11: Vinyl Door Cover
- 12: Setting Blocks
- 13: Foam Tape

K

ACCESS HOLE COVER



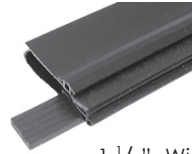
Black
Item No: 20-12294-0001
Price \$2.81 each
Gold
Item No: 20-12294-0002
Price \$2.81 each
Silver
Item No: 20-12294-0003
Price \$2.81 each

CORNER PIECE
WIDE OR NARROW



Item No: 11-11969-0001
Price \$5.11 each

DOOR GASKET
AIRCELL
JULY 1998 TO PRESENT



1 1/8" Wide
Gray
Item No: 20-12495-3513
Price \$11.51 per foot
Black
Item No: 20-14160-2000
Price \$11.51 per foot

CORNER PIECE SCREW



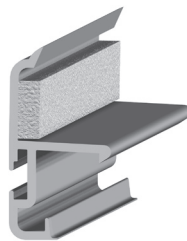
Silver
Item No: 40-12288-1008
Price \$2.45 each
Gold
Item No: 40-12288-2008
Price \$2.45 each
Black
Item No: 40-12288-3008
Price \$2.45 each

HANDLE SCREW



Item No: 40-10946-7008
Price \$2.50 each

ELM DOOR PLASTIC



Item No: 20-14043-1041
Price \$ 6.67 per foot

HANDLE - SLIMLINE



Chrome
Item No: 45-11876-0002
Price \$44.15 each
Gold
Item No: 45-11876-0003
Price \$89.37 each
Black
Item No: 45-11876-0004
Price \$86.57 each
Satin Silver
Item No: 45-11876-0005
Price \$86.57 each

E2 CURVED HANDLE



Item No: 45-14604-0001
Price \$38.18 each

DOOR HEATER WIRE
LT & NT
SPECIFY DOOR SIZE



Item No: 50-10632-0001
Price \$4.64 per foot

HINGE PIN
WITH LEADS



Black
Item No: 60-10847-0004
Price \$47.87 each
Silver
Item No: 60-10847-0003
Price \$47.87 each

HINGE PIN
WITHOUT LEADS



Black
Item No: 60-10848-0002
Price \$47.87 each
Silver
Item No: 60-10848-0001
Price \$47.87 each

TORQUE ROD
BEGINNING 1989
TO PRESENT



Hex

Hex Base
Item No: 02-10308-0007
Price \$35.99 each

HOLD OPEN ARM AND HARDWARE

1995 TO PRESENT

Hold Open Assembly

Item No: 02-14649-0001

Price \$44.91 each

Hold Open Arm

(Top Surface Mount)

Item No: 15-14707-0001

Price \$34.43 each

Detent Standoff on Frame

Item No: 40-15096-0001

Price \$3.89 each

210C Detent Standoff

Item No: 40-14613-0001

Price \$3.89 each

Pivot Standoff on Door

Item No: 40-14616-0001

Price \$4.56 each

Screw

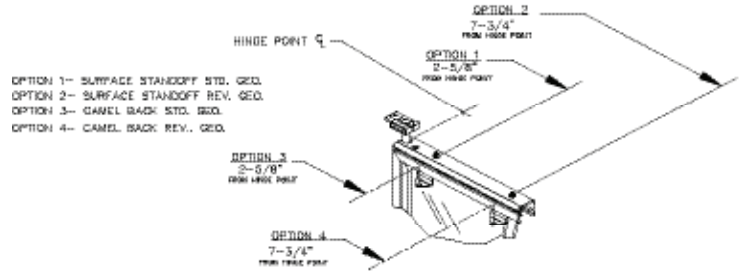
Item No: 40-11248-3002

Price \$1.91 each

Spacer

Item No: 40-15097-0001

Price \$1.31 each

**Lock**
FLUSH MOUNTLock and Keys**K29** Item No: 40-12013-0001

Price \$84.26 each

Keys Only**K30** Item No: 40-12598-0001

Price \$10.83 each

Full Length Handle Key**K31** Item No: 40-12989-0001

Price \$20.36 each

POM Lock

BEGINNING JANUARY 1987

POM Lock for 2100 Only**K32** Item No: 02-11585-0002

Price \$51.53 each

POM Lock**K33** Item No: 02-11585-0003

Price \$54.61 each

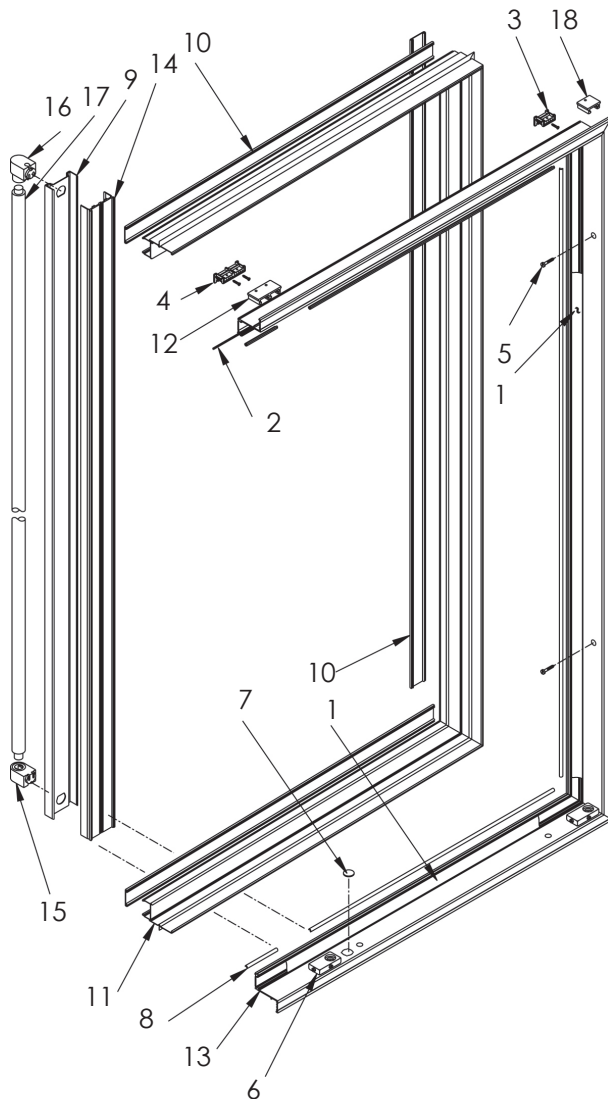
K

SECTION K

FRAME PARTS

PROVIDE ANTHONY W/O #
(Located on the UL Label on top of the door)

K



- 1: Contact Plate
- 2: Electrical Heater Wire
- 3: Electrical Hinge Pin Receptical (Single)
- 4: Electrical Hinge Pin Receptical (Double)
- 5: Frame Screw (Installation)
- 6: Torque Master
- 7: Torque Master Hole Plug
- 8: Vinyl Contact Plate Retainer
- 9: Vinyl Mullion Cover
- 10: Vinyl Raceway Cover
- 11: Vinyl Raceway Frame Cover
(Non-Replaceable)
- 12: Double Station GIB
(Non-Replaceable)
- 13: Frame Extrusion
(Non-Replaceable)
- 14: Frame Mullion
(Non-Replaceable)
- 15: Lamp Socket
(Bottom-Refer to Section J/Lighting)
- 16: Lamp Socket
(Top-Refer to Section J/Lighting)
- 17: Light Bulb
(Refer to Section J/Lighting)
- 18: Single Station GIB
(Non-Replaceable)

K

CONTACT PLATE

CENTER MULLION



Silver
Item No: 15-12520-1016
Price \$22.96 per foot
Black
Item No: 15-12520-2016
Price \$22.96 per foot
Black PW
Item No: 15-12520-2034
Price \$23.68 per foot
Walnut
Item No: 15-12520-3016
Price \$22.96 per foot

CONTACT PLATE

END



Silver
Item No: 15-12520-1007
Price \$10.93 per foot
Black
Item No: 15-12520-2007
Price \$10.93 per foot
Walnut
Item No: 15-12520-3007
Price \$10.93 per foot

**ELECTRICAL FAN
DELAY SWITCH**

1999 TO PRESENT



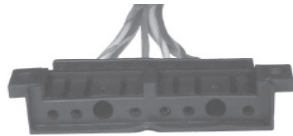
Item No: 60-12259-0001
Price \$50.37 each

**ELECTRICAL
HEATER WIRE**
LT & NT
CALL FACTORY



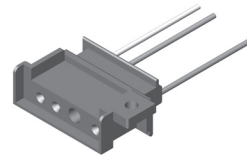
Item No: 50-10632-0000
Price \$4.62 per foot

**ELECTRICAL HINGE
PIN RECEPTACLE**
DOUBLE/REVERSIBLE



Item No: 60-12377-0001
Price \$12.13 each

**ELECTRICAL HINGE
PIN RECEPTACLE**
SINGLE/REVERSIBLE



Left
Item No: 60-12376-0001
Price \$9.63 each
Right
Item No: 60-12376-0002
Price \$9.63 each

**ELECTRICAL
ROCKER SWITCH**



Small
Item No: 60-12486-0001
Price \$17.21 each
Small 220V
Item No: 60-13104-0002
Price \$17.21 each

FRAME SCREW
INSTALLATION



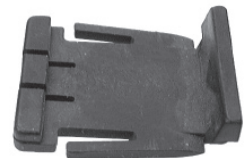
Silver
Item No: 40-10993-1014
Price \$2.46 each
Black
Item No: 40-10993-3014
Price \$2.46 each
Gold
Item No: 40-10993-4014
Price \$2.46 each

FRAME SEX BOLT



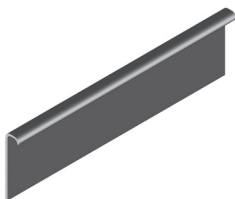
Silver
Item No: 40-11131-1004
Price \$4.30 each
Item No: 40-11065-1006
Price \$4.30 each
Gold
Item No: 40-11132-2006
Price \$4.30 each
Item No: 40-11065-2006
Price \$4.30 each
Black
Item No: 40-11131-3004
Price \$4.30 each
Item No: 40-11065-3006
Price \$4.30 each

HINGE PIN FILLER PLUG



Item No: 20-11314-0001
Price \$2.46 each

JOINING STRIP - HALF



Black
Item No: 11-11787-6937
Price \$6.13 per foot
Gold
Item No: 11-11787-3037
Price \$6.13 per foot
Silver
Item No: 11-11787-2037
Price \$6.13 per foot
Satin
Item No: 11-11787-4037
Price \$6.13 per foot

JOINING STRIP - FULL



Black
Item No: 11-10804-6024
Price \$8.78 per foot
Gold
Item No: 11-10804-3024
Price \$8.78 per foot
Silver
Item No: 11-10804-2024
Price \$8.78 per foot
Satin
Item No: 11-10804-4024
Price \$8.78 per foot

POM RETROFIT KIT



Item No: 02-14288-0001
Price \$56.87 each

STRIKER PLATE
FOR FLUSH MOUNT LOCK



ELS
Item No: 11-12215-0001
Price \$12.75 each
Pre-Wired
Item No: 11-12215-0002
Price \$12.75 each

TORQUE MASTER
REVERSIBLE - JANUARY 1987



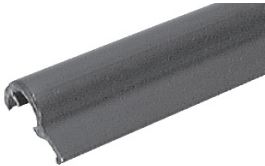
Silver
Item No: 02-10568-0001
Price \$28.51 each
Black
Item No: 02-10568-0003
Price \$28.51 each

TORQUE MASTER
HOLE PLUG



Black
Item No: 20-12754-0001
Price \$2.46 each
Gold
Item No: 20-12754-0002
Price \$2.46 each
Silver
Item No: 20-12754-0003
Price \$2.46 each

VINYL CONTACT
PLATE RETAINER
FOR ELS



Item No: 20-10619-1079
Price \$2.46 per foot

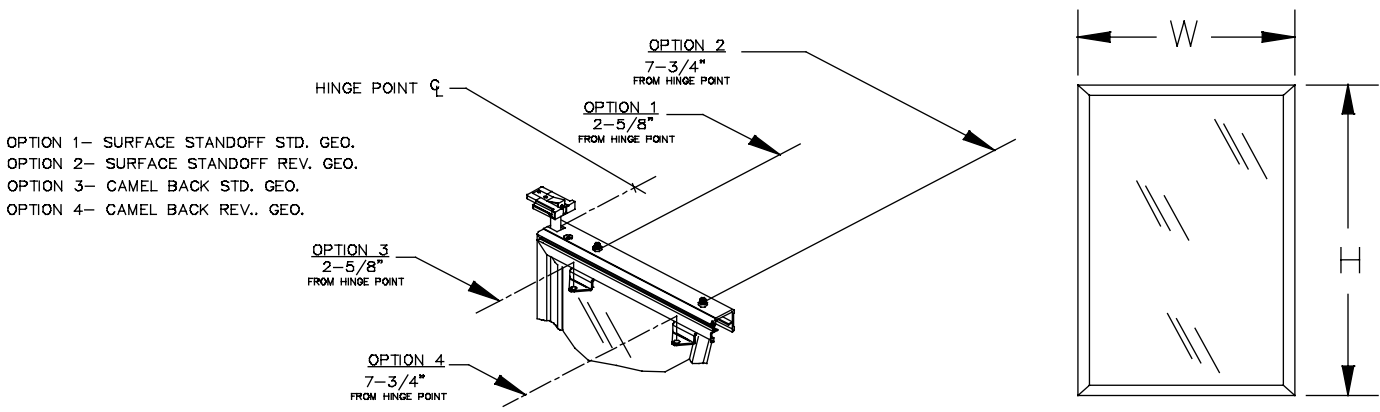
K

REPLACEMENT DOOR QUESTIONNAIRE

Customer's Name: _____

Phone #: _____ Ext.: _____ Fax #: _____

1. **Anthony WO#** (located on the UL label on top of door): _____
2. Outside dimensions of the door: Width _____ Height _____
3. Manufacturer of case: _____
4. Model of Door (found in between the panes): _____
5. Date Manufactured (found in between the panes of glass): _____
6. Where is gasket mounted on?: Door Frame
7. Door Type: Freezer Cooler
8. Number of Glass Panes: _____ Glass Type: Heated Non-heated
9. Door Rail Color?: Silver (chrome) Black Gold Satil Silver
10. Door Rail Finish?: Smooth Serrated
11. Door Rail width: Wide (1³/₄") Narrow (1⁵/₁₆")
12. Door Hinge (customer's side): Left Right
13. Color of handle, style and trim: _____
14. Where does the hold-open arm attach? (see below)
 - Option 1
 - Option 2
 - Option 3
 - Option 4



Please complete the above questions in order for our customer assistance group to best assist you in ordering ANTHONY doors. Thank you for your business. Any questions, please call the Parts Dept. (800) 772-0900 Fax (818) 365-5341

Please complete the below questions in order for our customer assistance group to best assist you in ordering ANTHONY replacement heaters. Thank you for your business!

To expedite questions, email: sales@anthonydoors.com

Do you want replacement door heaters or replacement frame heaters?

What are the outside dimensions of your current door?

Width _____
Height _____

What company manufactures the case you have?

When was your current door manufactured? You can find this information between the glass panes on the door.

What is your original work order number? You can find this information located on the UL Label on the top of the door.

How many doors are in your frame line-up?

Is your door application low temp (freezer) or normal temp (cooler)?

Frame Heaters: Do you need to replace all of the frame heaters? Or do you need to replace a top heater/ bottom heater/center heater/perimeter heater?

Please complete the below questions in order for our customer assistance group to best assist you in ordering ANTHONY doors. Thank you for your business!

To expedite questions, email: sales@anthonydoors.com

*** Is the gasket you are replacing on the Door or on the Frame?**

Door Gasket Replacement

• If replacing a door gasket, please complete the following:

What are the outside dimensions of the door? Width _____ Height _____

Who manufactures your case?

What is the date the door was manufactured? This information can be found between the panes of glass on the door.

With ANTHONY Outside Mount Doors (AOM), specify if you need an inboard or outboard gasket.

Frame Gasket Replacement

• If replacing a frame gasket, please complete the following:

What are the outside dimensions of the door? Width _____ Height _____

What is the date the door was manufactured? This information can be found between the panes of glass on the door.

If the door is on a walk-in box, is it hinge left or right?

EASY ORDER FORM

Please complete the below easy order form before placing your order with ANTHONY. Fax the completed form to (818) 361-9611 for immediate service. Thank you for your business!

To expedite questions, email: sales@anthonydoors.com

Date: _____

PO# _____

Ordered by: _____

Phone Number: _____

Bill to: _____

ANTHONY Account#: _____

Circle One (if applicable): CIA/COD/Visa MC/AMEX

Account#: _____

Exp. Date: _____

Name on Card: _____

Case Manufacturer: _____

Model: _____

Door Size: Width Height

Circle One: Low Temp/Normal Temp

Circle One: Glass Heated/Non-Heated/Reflective

Circle One: Door Rail Wide/Narrow

Door Color: _____

Circle One: ELS: Yes/No

Circle One: ELS, Connexion or Standard ELS

ISE# _____

Fax#: _____

Ship to: _____

Attention: _____

Prior work order#: _____

Date of Mfg: _____

Frame Net Opening: Width Height

Circle One: Hinge Right/Hinge Left

Circle One: Reversible Door Yes/No

Circle One: Door Rail Wide/Narrow

Circle One: Door Finish Smooth/Serrated

Using the April 2001 Parts Catalog, please provide the following information:

Quantity	Item Number (11 digits)	Part Description



an **AI** company

ANTHONY INTERNATIONAL

12391 Montero Avenue

Sylmar, CA 91342

(800) 772-0900 Phone (818) 365-5341 Fax

www.anthonydoors.com